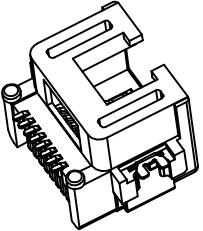
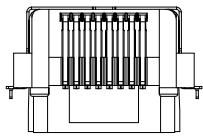
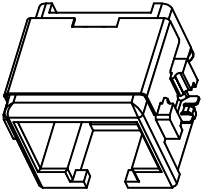
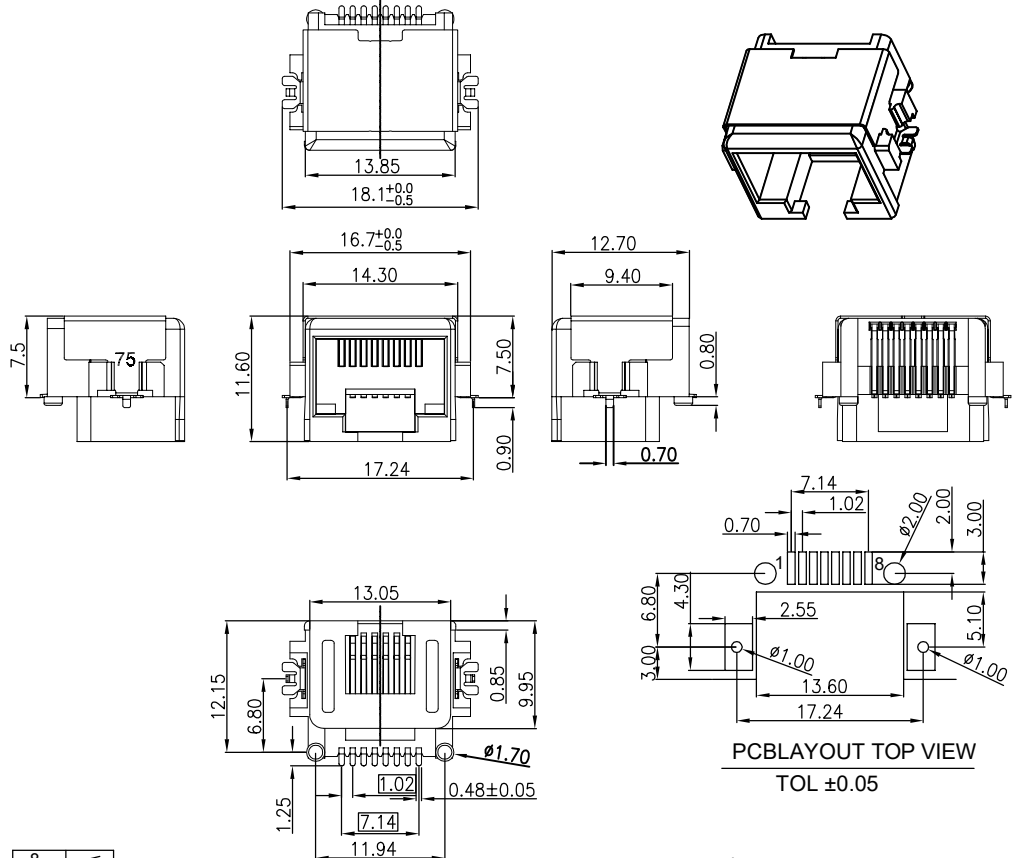


RoHS Compliant

REVISIONS			
REV.	DESCRIPTION	DATE	DESIGN



PCBLAYOUT TOP VIEW
TOL ±0.05

8	—
7	—
6	RX-
5	—
4	—
3	RX+
2	TX-
1	TX+
PIN序 说明	

NOTES

- MATERIAL
- 1. HOUSING MATERIAL : GLASS FILLED POLYESTER UL94V-0.
 - 2. CONTACT MATERIAL : PHOSPHOR BRONZET=0.3mm.
 - 3. PLATING : GOLD FLASH PLATING OVER NICKEL.
 - 4. SHIELD : 0.20mm THICKNESS COPPER ALLOY WITH NICKEL PLATED.
- ELECTRICAL
- 1. VOLTAGE RATING : 125 VAC RMS.
 - 2. CURRENT RATING : 1.5 AMP.
 - 3. CONTACT RESISTANCE : 40 MILLIOHMS MAX.
 - 4. INSULATION RESISTANCE : 500 MEGOHMS MIN @ 100V DC .
 - 5. DIELECTRIC DIELECTRIC RESISTANCE : 500V DC RMS 50Hz. 1MIN.
- MECHANICAL
- 1. DURRABILITY : 750 CYCLES MIN.
 - 2. MATING/UNMATING FORCE : 2.24 KG. F MAX.
- ENVIRONMENTAL :
- 1. STORAGE : -40°C ~ +85°C.
 - 2. OPERATION : -40°C ~ +85°C.

PART NO. INFORMATION

RJ01- X 5 A X - 071

- CONTACT PLATED
- 1: G/F 2: AU 3U"
 - 3: AU 5U" 4: AU 10U"
 - 5: AU 15U" 6: AU 30U"
- PACKAGE
- R: TAPE REEL
 - T: TRAY
- HOUSING:
- A:PA9T BLACK

Bestcreate Technology Limited

TOLERANCES UNLESS OTHERWISE SPECIFIED:			
.X	± 0.35	X.	± 3'
.XX	± 0.25	.X.	± 2'
.XXX	± 0.15	.XX.	± 1'
Website: www.bsc-elec.com			
Email: bestcreate@bsc-elec.com			

DESIGN:	I. L	DATE:	2017. 3. 1
CHECKED:	C. W	DATE:	2017. 3. 1
APPROVED:	C. W	DATE:	2017. 3. 1

TITLE:			MID MOUNT 7.5MM RJ45 FEMALE CONNECTOR SMT
MATERILA:	PART NO:	RJ01-X5AX-071	
FINSH:	DWG NO:	RJ01-X5AX-071	
		SIZE:	A4

REV: A	UNIT mm	SCALE 1=1	QUALITY SYMBOLS
--------	---------	-----------	-----------------