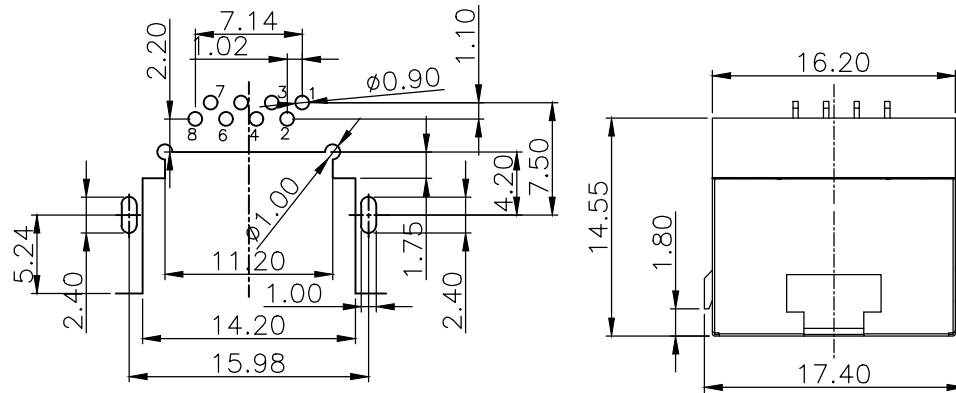


RoHS Compliant

REVISIONS

REV.	DESCRIPTION	DATE	DESIGN



PCBLAYOUT T=1.2  
TOL:±0.05

NOTES

MATERIAL

- HOUSING MATERIAL: THERMO PLASTICS UL94V-0 COLOR BLACK.
- CONTACT MATERIAL : PHOSPHOR BRONZE T=0.25mm.  
: SELECT GOLD PLATING ON CONTACT AREA AND TIN PLATING ON SOLDER AREA OVER NICKEL.
- SHIELD: STAINLESS T=0.20mm NI PLATING.
- GASKET :SPCC T=0.40 NI PLATING.

MELECTRICAL

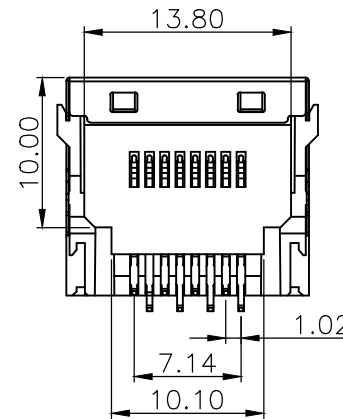
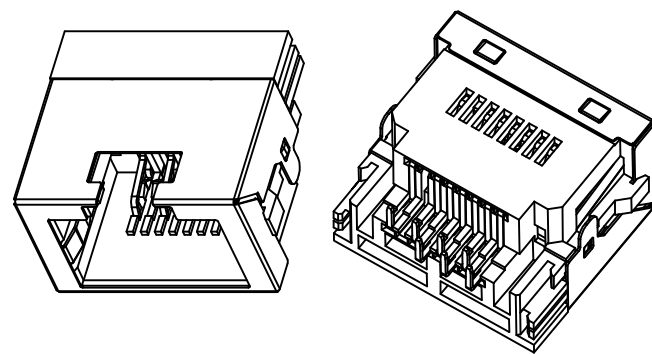
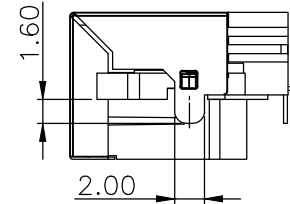
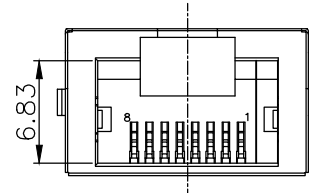
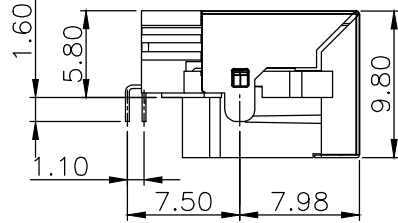
- VOLTAGE RATING : 125 VAC RMS.
- CURRENT RATING : 1.5 AMP.
- CONTACT RESISTANCE : 40 MILLIOHMS MAX.
- INSULATION RESISTANCE : 500 MEGOHMS MIN @ 100V DC .
- DIELECTRIC DIELECTRIC RESISTANCE : 500V DC RMS 50Hz. 1MIN.

MECHANICAL

- DURRABILITY : 750 CYCLES MIN.
- MATING/UNMATING FORCE : 2.24 KG. F MAX.

ENVIRONMENTAL :

- STORAGE : -40°C~+85°C.
- OPERATION : -40°C~+85°C.



PART NO. INFORMATION

**RJ01- X 5 2 X - 067**

CONTACT PLATED  
1: G/F 2: AU 3U"  
3: AU 6U"

PACKAGE  
R: TAPE REEL  
T: TRAY

HOUSING:  
1:LCP BLACK  
2:PBT BLACK  
3.PA46 BLACK  
4.PA9T BLACK

8	—
7	—
6	RX-
5	—
4	—
3	RX+
2	TX-
1	TX+
PIN序 说明	

**Bestcreate Technology Limited**

TOLERANCES UNLESS OTHERWISE SPECIFIED:

.X	± 0.35	X.*	± 3"
.XX	± 0.25	.X*	± 2"
.XXX	± 0.15	.XX*	± 1"

Website: [www.bsc-elec.com](http://www.bsc-elec.com)

Email: [bestcreate@bsc-elec.com](mailto:bestcreate@bsc-elec.com)

DESIGN: I. L  
DATE: 2017. 3. 1

CHECKED: C. W  
DATE: 2017. 3. 1

APPROVED: C. W  
DATE: 2017. 3. 1

TITLE: MID MOUNT 5.8MM RJ45 FEMALE CONNECTOR DIP TYPE

MATERILA: R J01-X52X-067  
PART NO: R J01-X52X-067  
SIZE: A4

FINSH: R J01-X52X-067  
DWG NO: R J01-X52X-067

REV: A UNIT mm SCALE 1=1 QUALITY SYMBOLS