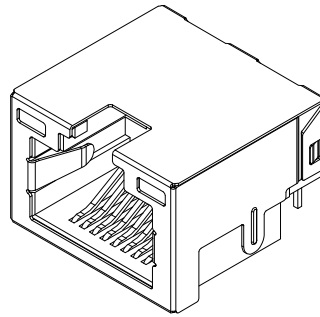
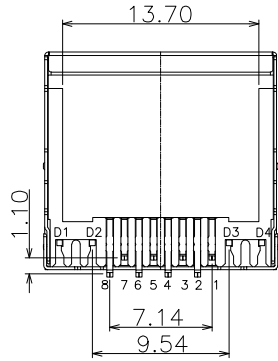


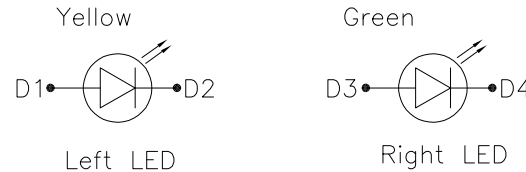
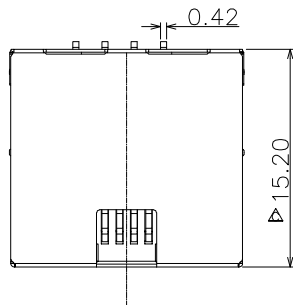
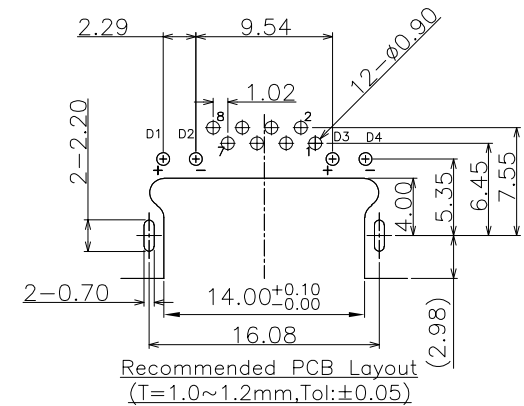
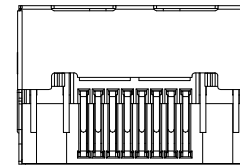
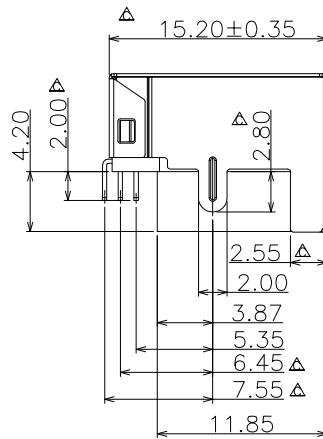
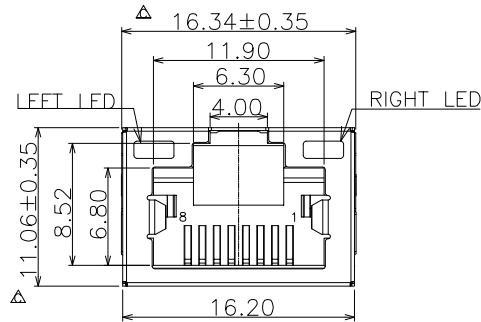
RoHS Compliant

REVISIONS			
REV.	DESCRIPTION	DATE	DESIGN



NOTES:

- MATERIAL
 - HOUSING:HIGH THERMAL PLASTIC,BLACK,UL94 V-0.LCP.BK.
 - CONTACT:C5191, CONTACT AREA PLATING: **FU** GOLD, SOLDER AREA: PLATING SN 80U"MIN.
 - SHELL:C2680.PLATING NI 30U"MIN.
- ELECTRICAL:
 - CURRENT RATING: 1.5A MAX.
 - VOLTAGE RATING :150V AC MIN. (RMS)
 - WITHSTANDING VOLTAGE: 1000V AC FOR 1 MINUTE
 - INSULATION RESISTANCE: 500MΩ MIN.
 - CONTACT RESISTANCE: 40mΩ MAX.
- ENVIRONMENTAL:
 - OPERATING TEMPERATURE: -40°C TO +85°C



PART NO. INFORMATION

RJ01- X 1 A X - 082

CONTACT PLATED
 1: G/F 2: AU 3U"
 3: AU 5U" 4: AU 10U"
 5: AU 15U" 6: AU 30U"

PACKAGE
 R: TAPE REEL
 T: TRAY

HOUSING:
 A:LCP BLACK B:PA9T BLACK
 1:L-YELLOW R-GREEN
 2:L-GREEN R-YELLOW
 C:PBT BLACK

Bestcreate Technology Limited

TOLERANCES UNLESS OTHERWISE SPECIFIED:

.X	± 0.35	.X'	± 3'
.XX	± 0.25	.X''	± 2'
.XXX	± 0.15	.X'''	± 1'

Website:www.bsc-elec.com
 Email:bestcreate@bsc-elec.com

DESIGN:	DATE:
I. L	2017. 3. 1
CHECKED:	DATE:
C. W	2017. 3. 1
APPROVED:	DATE:
C. W	2017. 3. 1

TITLE: MID MOUNT 4.2MM RJ45
 CONNECTOR DIP TYPE, WITH LEDs

MATERIAL:	PART NO:	SIZE:
FINISH:	RJ01-X1AX-082	A4
	DWG NO:	
	RJ01-X1AX-082	

REV: A	UNIT mm	SCALE 1=1	QUALITY SYMBOLS
--------	---------	-----------	-----------------