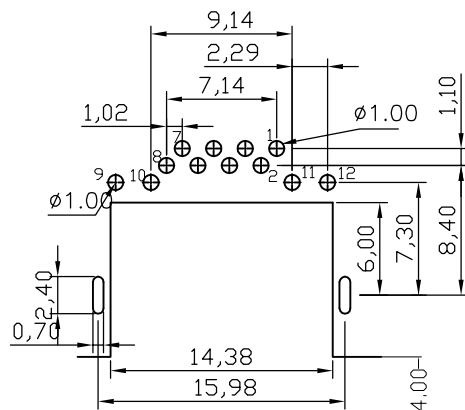
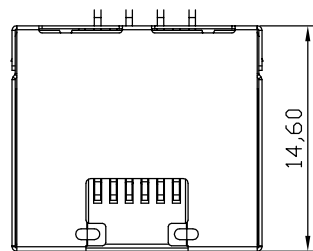


RoHS Compliant

REVISIONS			
REV.	DESCRIPTION	DATE	DESIGN

A



NOTES

MATERIAL

- 1. HOUSING MATERIAL : LCP BLACK UL94V-0.
- 2. CONTACT MATERIAL : PHOSPHOR BRONZE .
- 3. PLATING : GOLD FLASH PLATING OVER NICKEL.
- 4. SHIELD : COPPER ALLOY WITH NICKEL PLATED.

5. LED

- ELECTRICAL
- 1. VOLTAGE RATING : 125 VAC RMS.
- 2. CURRENT RATING : 1.5 AMP.
- 3. CONTACT RESISTANCE : 40 MILLIOHMS MAX.
- 4. INSULATION RESISTANCE : 500 MEGOHMS MIN @ 100V DC .
- 5. DIELECTRIC DIELECTRIC RESISTANCE : 500V DC RMS 50Hz. 1MIN.

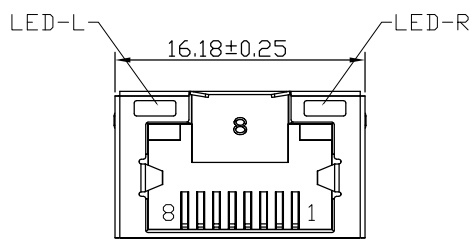
MECHANICAL

- 1. DURRABILITY : 750 CYCLES MIN.
- 2. MATING/UNMATING FORCE: 2.24 KG. F MAX.

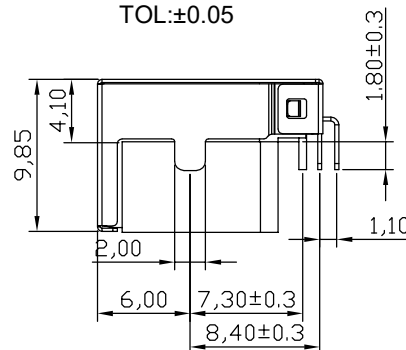
ENVIRONMENTAL:

- 1. STORAGE : -40°C ~ +85°C.
- 2. OPERATION : -40°C ~ +85°C.

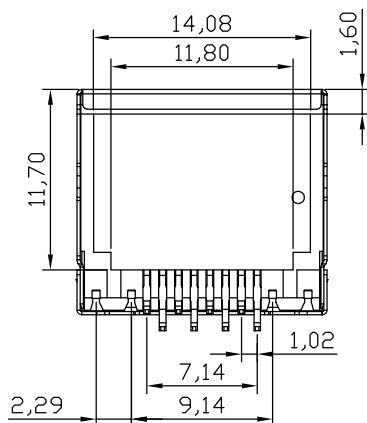
B



PCBLAYOUT
TOL:±0.05



C



PART NO. INFORMATION

RJ01 - X 5 0 X - 013 - X

CONTACT PLATED

- 1: G/F 2: AU 3U"
- 3: AU 6U" 4: AU 10U"
- 5: AU 15U" 6: AU 30U"

PACKAGE

- R: TAPE REEL
- T: TRAY

LED COLOR:

- 1:L-YELLOW R-GREEN
- 2:L-GREEN R-YELLOW

D

Bestcreate Technology Limited

TOLERANCES UNLESS OTHERWISE SPECIFIED:

.X	± 0.30	X.'	± 3'
.XX	± 0.20	.X"	± 2"
.XXX	± 0.10	.XX'	± 1'

Website: www.bsc-elec.com
Email: bestcreate@bsc-elec.com

DESIGN: I. L DATE: 2017. 3. 1

CHECKED: C. W DATE: 2017. 3. 1

APPROVED: C. W DATE: 2017. 3. 1

TITLE: MID-MOUNT 4.1MM RJ45 8P8C CONNECTOR
9. 9H, DIP TYPE WITH LED LIGHT

MATERILA: PART NO: RJ01-X50X-013-X SIZE: A4

FINSH: DWG NO: RJ01-X50X-013-X

REV: A UNIT mm SCALE 1=1 QUALITY SYMBOLS