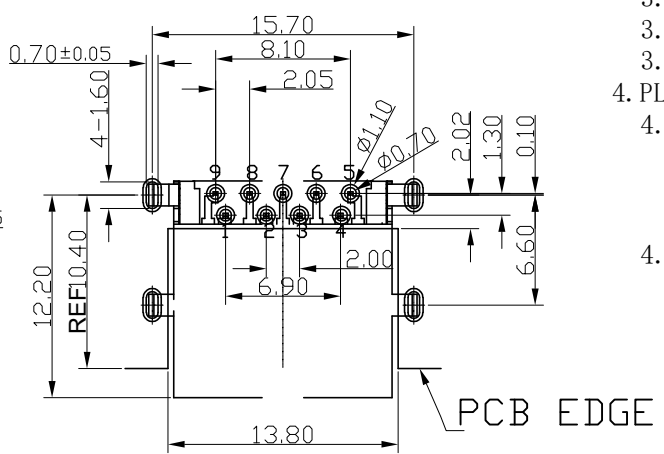
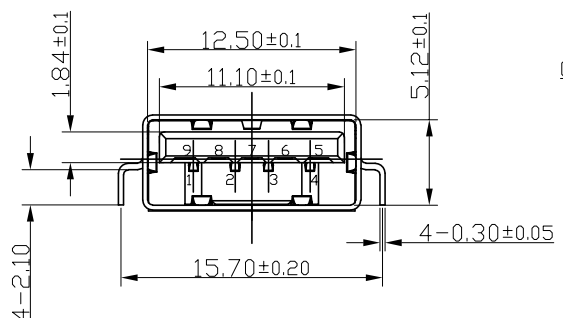
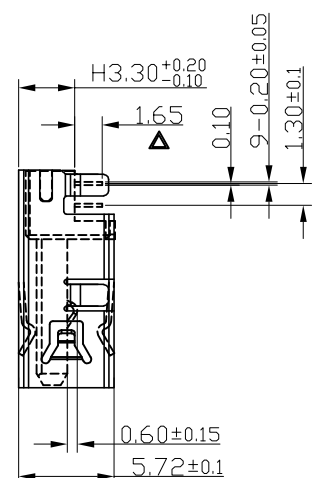
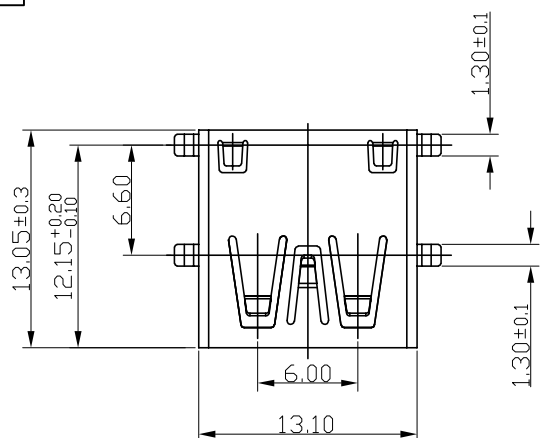


RoHS Compliant

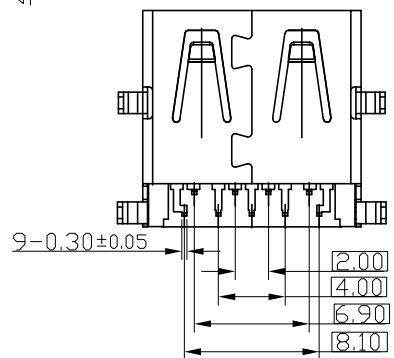
REVISIONS			
REV.	DESCRIPTION	DATE	DESIGN



TOLERANCE: ±0.05, THICKNESS : 1.2 mm  
RECOMMENDED PCB LAYOUT

- NOTE:
- MATERIAL:
    - INSULATOR:LCP UL 94V-0
    - CONTACT:BRONZE (T=0.20mm)
    - SHELL:BRASS (T=0.30mm)
  - ELECTRICAL CHARACTERISTICS;
    - CONTACT RESISTANCE:30mΩ MAXIMUM
    - CONTACT CURRENT RATING:1.5A
    - DIELECTRIC WITHSTANDING VOLTAGE:500 V R. M. S.
    - INSULATION RESISTANCE 1000 MEGOHMS MIN
    - OPERATING TEMPERATURE:-40° C ~ 85° C
  - MECHANICAL CHARACTERISTICS:
    - MATING FORCE:3.57kg MAX
    - UNMATED FORCE:1.02kg MIN
    - DURABILITY:MANDATORY:5,000 CYCLES
  - PLATING
    - TERMINAL:
      - 50u" MIN NICKEL ALL OVER
      - 100u"MIN Tin ON SOLDER AREA
      - (1~30)u"Au ON CONTACT AREA
    - SHELL:100u"MIN. NICEL ALL OVER

Pin NUMBER	SIGNAL NAME
1	VBUS
2	D-
3	D+
4	GND
5	StdA_SSRX-
6	StdA_SSRX+
7	GND_DRAIN
8	StdA_SSTX-
9	StdA_SSTX+
Shell	Shield



PART NO. INFORMATION

**U03-A F X A X X -5011 -V1**

PORT TYPE  
A: TYPE A

GENDER  
F: FEMALE  
M: MALE

CONTACT PLATED  
1: GOLD FLASH  
2: GOLD 3U"  
3: GOLD 5U"  
4: GOLD 10U"  
5: GOLD 15U"  
6: GOLD 30U"

PACKAGE  
T: TRAY R:TAPE REEL

HOUSING COLOR  
2: WHITE  
5: BLACK  
9: BLUE

HOUSING MATERIAL  
A: LCP B: PBT  
C: PA9T D: PA6T  
E: PA46 F: PA66

**Bestcreate Technology Limited**

TOLERANCES UNLESS OTHERWISE SPECIFIED:		DESIGN:	DATE:
X.	± 0.30	I. L	2017. 3. 1
X.*	± 3*	CHECKED:	DATE:
.X	± 0.20	C. W	2017. 3. 1
.XX	± 0.15	APPROVED:	DATE:
.XX*	± 1*	C. W	2017. 3. 1
Website: www.bsc-elec.com		APPROVED:	
E-mail: bestcreate@bsc-elec.com		DATE:	

TITLE:		
USB3.0 AF 沉板3.3mm 无边 DIP		
MATERILA:	PART NO:	SIZE:
	U03-AFXAXX-5011-V1	A4
FINSH:	DWG NO:	SHEET:
	U03-AFXAXX-5011-V1	1 OF 1

REV:	UNIT	SCALE	QUALITY SYMBOLS
A	mm	1=1	