

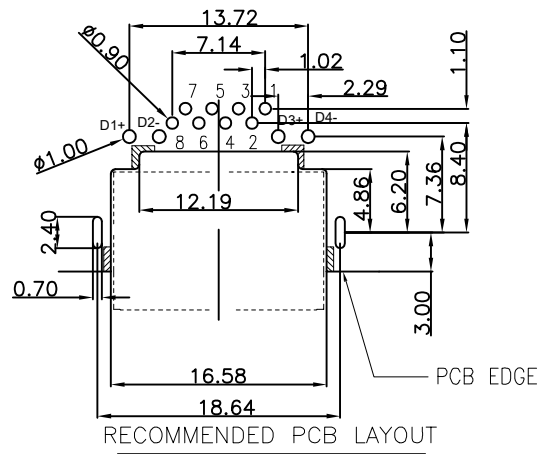
RoHS Compliant

REVISIONS

REV.	DESCRIPTION	DATE	DESIGN

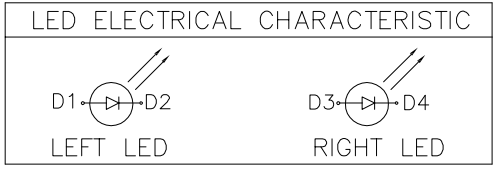
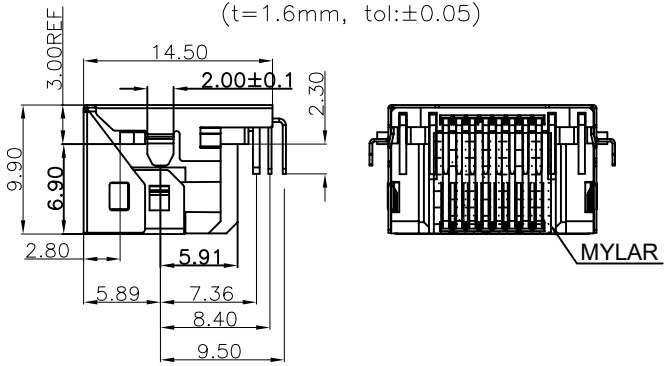
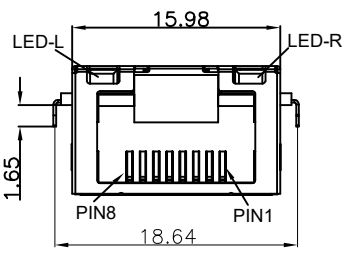
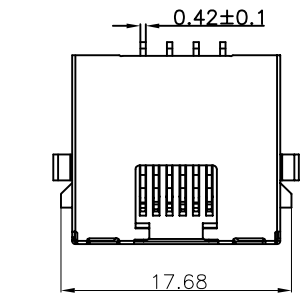
NOTES

- MATERIAL**
- 1. HOUSING MATERIAL : LCP BLACK UL94V-0.
 - 2. CONTACT MATERIAL : COPPER ALLOY T=0.25MM.
 - 3. PLATING : GOLD PLATING ON CONTACT AREA AND TIN PLATING ON SOLDER AREA OVER NICKEL.
- ELECTRICAL**
- 1. VOLTAGE RATING : 125 VAC RMS.
 - 2. CURRENT RATING : 1.5 AMP.
 - 3. CONTACT RESISTANCE : 40 MILLIOHMS MAX.
 - 4. INSULATION RESISTANCE : 500 MEGOHMS MIN @ 100V DC .
 - 5. DIELECTRIC DIELECTRIC RESISTANCE : 500V DC RMS 50Hz. 1MIN.
- MECHANICAL**
- 1. DURRABILITY : 750 CYCLES MIN.
 - 2. MATING/UNMATING FORCE: 2.24 KG.F MAX.
- ENVIRONMENTAL:**
- 1. STORAGE : -40°C ~ +85°C.
 - 2. OPERATION : -40°C ~ +85°C.



RECOMMENDED PCB LAYOUT

(t=1.6mm, tol:±0.05)



PART NO. INFORMATION

RJ01- X 5 X X - 030 - X

- CONTACT PLATED**
- 1: G/F 2: AU 3U"
 - 3: AU 6U" 4: AU 15U"
 - 5: AU 30U"
- PACKAGE**
- R: TAPE REEL
 - T: TRAY
- LED:**
- 1:L-YELLOW R-GREEN
 - 2:L-GREEN R-YELLOW
 - 3:L-AMBER R-WHITE
- HOUSING:**
- 1:PBT BLACK 2:PBT YELLOW
 - 3:PA46 BLACK 4:PBT BLUE
 - 5:PA9T BLUE 6:PA9T YELLOW

Bestcreate Technology Limited

TOLERANCES UNLESS OTHERWISE SPECIFIED:

.X	± 0.30	X.'	± 3'
.XX	± 0.20	.X'	± 2'
.XXX	± 0.10	.XX'	± 1'

Website: www.bsc-elec.com
Email: bestcreate@bsc-elec.com

DESIGN:	I.L	DATE:	2017.3.1
CHECKED:	C.W	DATE:	2017.3.1
APPROVED:	C.W	DATE:	2017.3.1

TITLE:		MID MOUNT 3.0MM RJ45 8P8C FEMALE CONNECTOR DIP TYPE 9.9H, WITH LED LIGHT&MALAR	
MATERILA:	PART NO:	RJ01-X5XX-030-X	SIZE: A4
FINSH:	DWG NO:	RJ01-X5XX-030-X	

REV: A	UNIT mm	SCALE 1=1	QUALITY SYMBOLS
--------	---------	-----------	-----------------