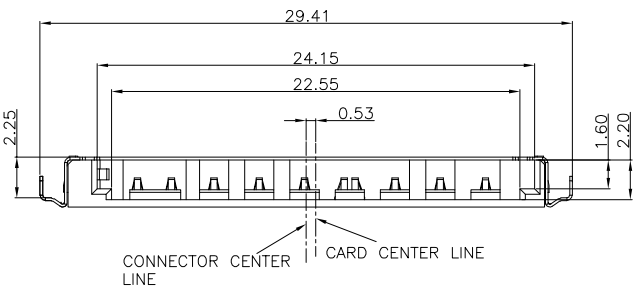
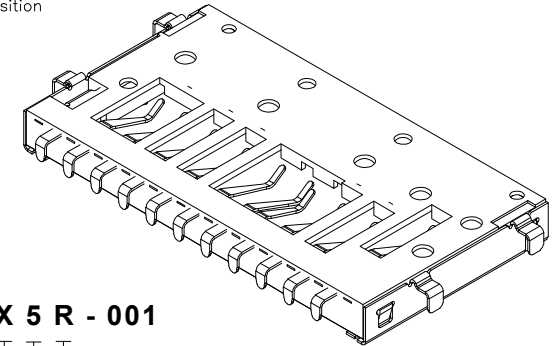
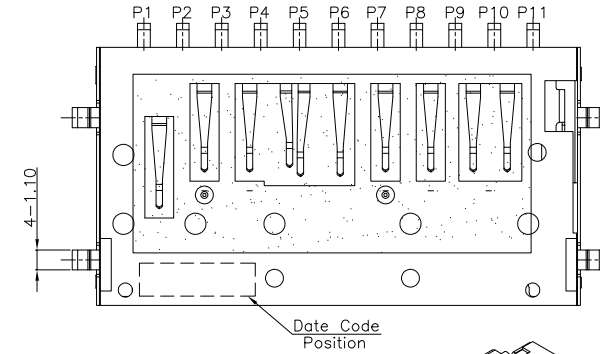
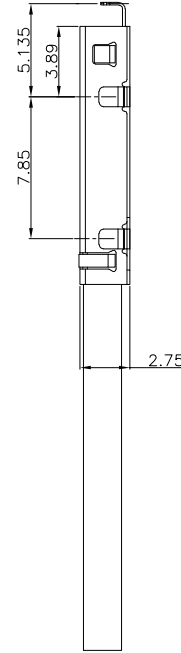
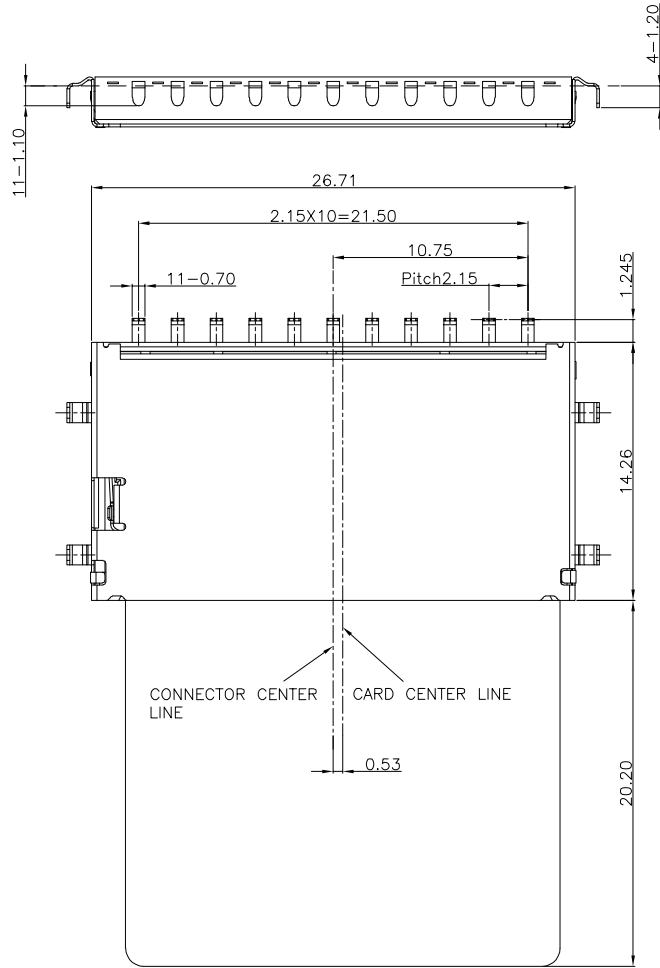


RoHS Compliant

REVISIONS			
REV.	DESCRIPTION	DATE	DESIGN



PART NO. INFORMATION

SD - 11 X X 5 R - 001

- 11:11P
- CONTACT PLATED
- 1: GOLD FLASH
- 2: GOLD 3U"
- 3: GOLD 5U"
- 4: GOLD 10U"
- 5: GOLD 15U"
- 6: GOLD 30U"
- PACKAGE
- R: TAPE REEL
- HOUSING COLOR
- 2: WHITE
- 5: BLACK
- 9: NATURE
- HOUSING MATERIAL
- A: LCP B: PBT
- C: PA9T D: PA6T
- E: PA46 F: PA66

Bestcreate Technology Limited

TOLERANCES UNLESS OTHERWISE SPECIFIED:

.X	± 0.35	X'	± 5'
.XX	± 0.25	.X'	± 2'
.XXX	± 0.15	.XX'	± 1'

Website: www.bsc-elec.com
Email: bestcreate@bsc-elec.com

DESIGN: I. L
DATE: 2017. 3. 1

CHECKED: C. W
DATE: 2017. 3. 1

APPROVED: C. W
DATE: 2017. 3. 1

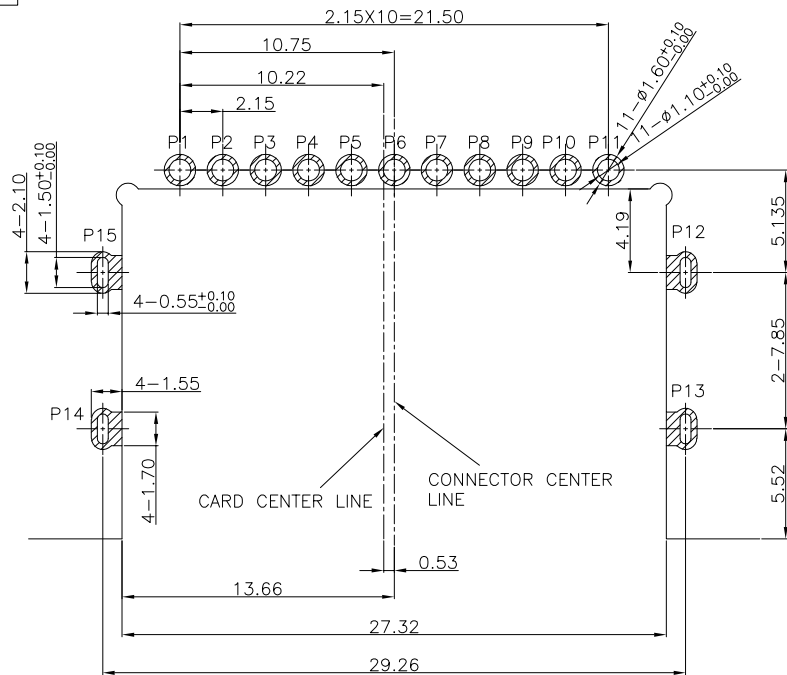
TITLE: SD N/P板下DIP沉板 2.25H

MATERIAL:	PART NO: SD-11XX5R-001	SIZE: A4
FINSH:	DWG NO: SD-11XX5R-001	1 OF 3

REV: A	UNIT mm	SCALE 1=1	QUALITY SYMBOLS
--------	---------	-----------	-----------------

RoHS Compliant

REVISIONS			
REV.	DESCRIPTION	DATE	DESIGN



NOTES:
 PRODUCT MEETS CONTROLLED SUBSTANCES SPEC.ROHS 2.0
 1.MATERIAL
 1.1 HOUSING:LCP UL94V-0,COLOR:BLACK
 1.2 CONTACT:COPPER ALLOY
 1.3 SHELL:STAINLESS STEEL
 2.FINISH:
 2.1 CONTACT:
 GOLD PATING(SEE DESCRIPTION) ON CONTACT AREA
 80u"MIN. MATTE-TIN PALTING ON SOLDER TAIL AREA
 50u"MIN. NICKEL UNDERPLATING OVERALL
 2.2 SHELL:30MIN. NICKEL UNDERPLATING OVERALL
 3.DATE CODE:CODE SPURTING OR LASER

RECOMMEND P.C.B LAYOUT
 TOLERANCE ±0.05

PAD

No trace , no test point,
 no via hole, no ground area

WITHOUT CARD	CARD INSERTED:LOCK	CARD INSERTED:UNLOCK
W/P GND 	W/P GND 	W/P GND
C/D VSS1 P3 	C/D VSS1 P3 	C/D VSS1 P3

Pin Define

Connector Pin No.	SD Card Pin No.	Pin Define
P1	P9	DAT2
P2	P1	DAT3
P3	P2	CMD
P4		CD
P5	P3	VSS1
P6	P4	VDD
P7	P5	CLK
P8	P6	VSS2
P9	P7	DAT0
P10	P8	DAT1
P11		W/P
P12~P15		GND

Bestcreate Technology Limited

TOLERANCES UNLESS OTHERWISE SPECIFIED:

.X	± 0.35	X'	± 5'
.XX	± 0.25	.X'	± 2'
.XXX	± 0.15	.XX'	± 1'

DESIGN: I. L DATE: 2017. 3. 1

CHECKED: C. W DATE: 2017. 3. 1

APPROVED: C. W DATE: 2017. 3. 1

TITLE: SD N/P板下DIP沉板 2. 25H

MATERILA: PART NO: SD-11XX5R-001 SIZE: A4

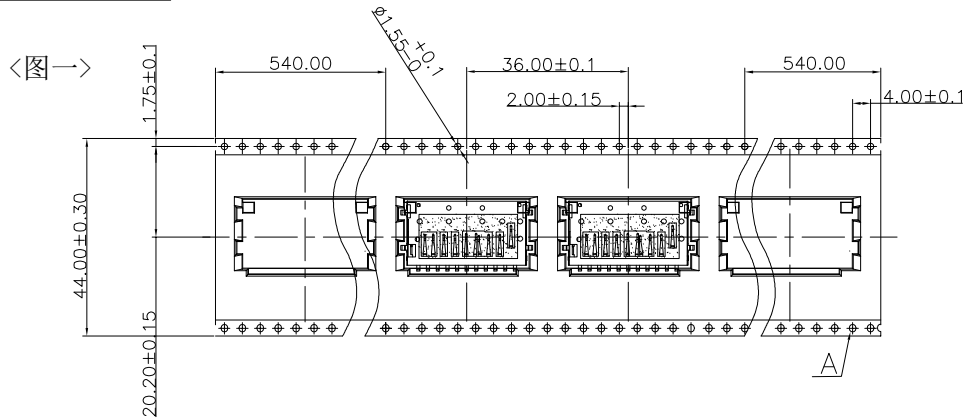
FINSH: DWG NO: SD-11XX5R-001 2 OF 3

REV: A UNIT mm SCALE 1=1 QUALITY SYMBOLS

Website:www.bsc-elec.com
 Email:bestcreate@bsc-elec.com

RoHS Compliant

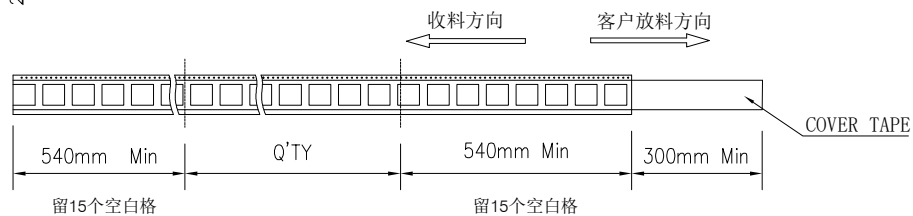
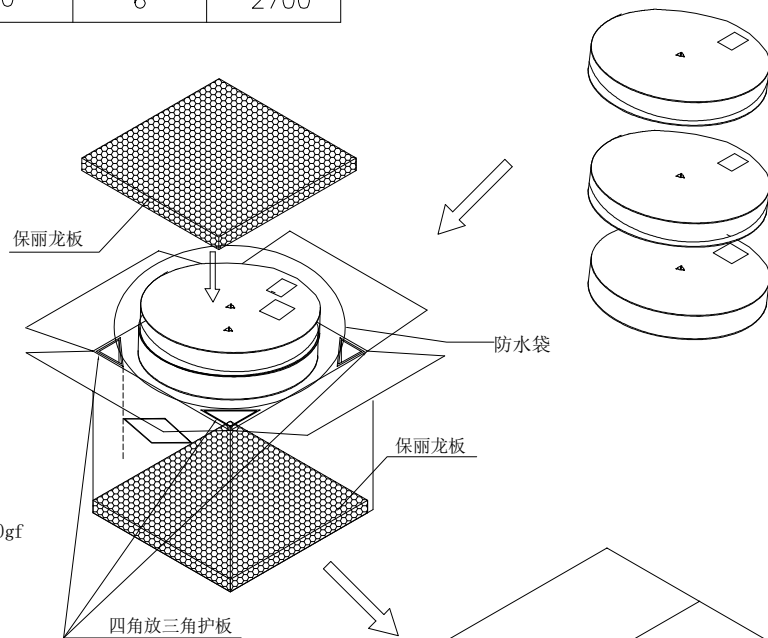
REVISIONS			
REV.	DESCRIPTION	DATE	DESIGN



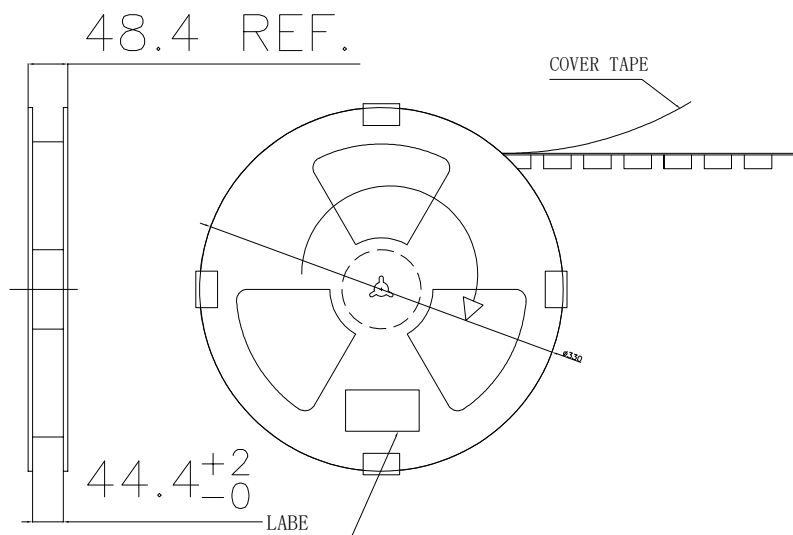
<TABLE 1> PACKAGING QUANTITY

QTY/REEL	REEL/CARTON	QTY/CARTON
450	6	2700

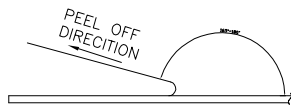
<图三>



<图二>

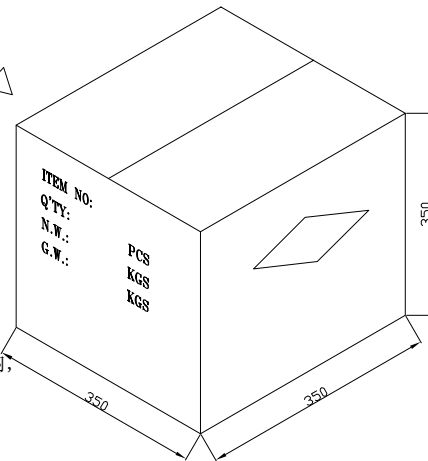


COVER TAPE PEELING FORCE: 20gf~100gf



NOTE:

1. 依<图一>示放置产品于下载中, 每穴放置1PCS产品.
2. 包装机包好后, 在REEL的个等分点贴上胶带, 以防止REEL张开, 每REEL贴1PCS标签, 如<图二>示
3. 包装数量见如<TABLE 1>示
4. 包装成箱见如<图三>示
箱底放保利龙板, 再依次将指定数量的卷装产品用防水袋包好放入箱内, 四角分别放入四个三角护板, 最上层再放上保利龙板.
5. 封箱, 在封好的纸箱上按客户要求写上料号, 数量等



Bestcreate Technology Limited

TOLERANCES UNLESS OTHERWISE SPECIFIED:

.X	± 0.35	X'	± 5'
.XX	± 0.25	.X'	± 2'
.XXX	± 0.15	.X'	± 1'

Website: www.bsc-elec.com
Email: bestcreate@bsc-elec.com

DESIGN: I. L
DATE: 2017. 3. 1
CHECKED: C. W
DATE: 2017. 3. 1
APPROVED: C. W
DATE: 2017. 3. 1

TITLE: SD N/P板下DIP沉板 2. 25H
MATERILA: PART NO: SD-11XX5R-001
FINSH: DWG NO: SD-11XX5R-001
SIZE: A4
3 OF 3

REV: A
UNIT: mm
SCALE: 1=1
QUALITY SYMBOLS

