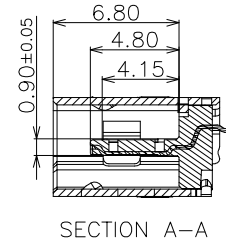
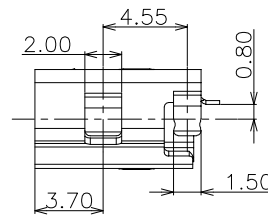
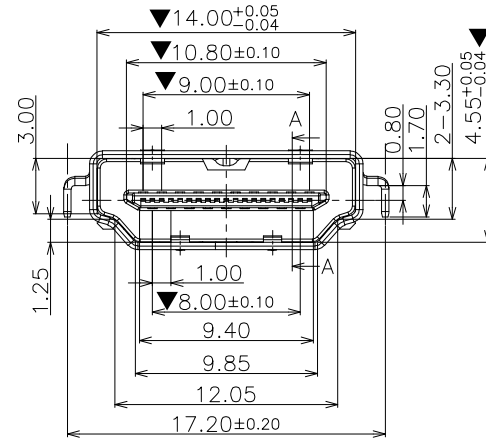
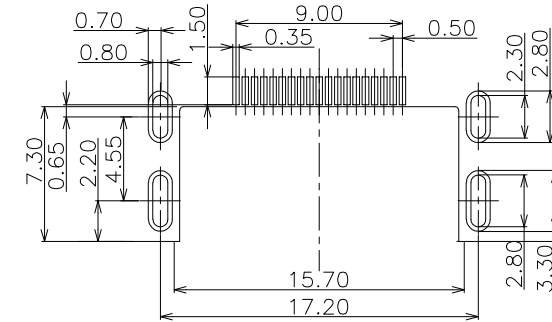
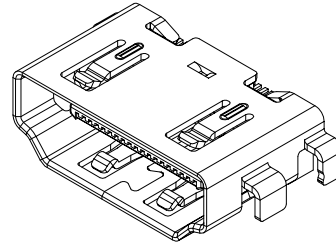
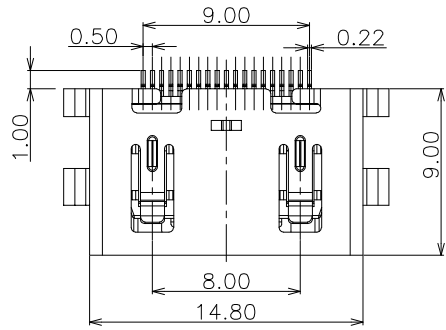
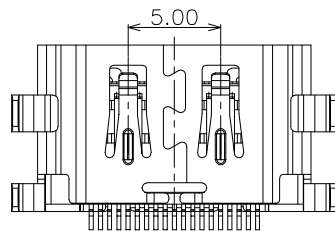
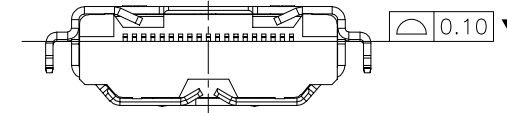


RoHS Compliant

| REVISIONS |             |      |        |
|-----------|-------------|------|--------|
| REV.      | DESCRIPTION | DATE | DESIGN |
|           |             |      |        |

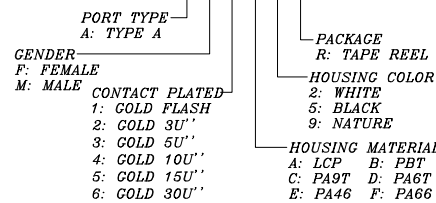


RECOMMENDED PCB LAYOUT (TOP VIEW)  
TOLERANCE: ±0.05mm



PART NO. INFORMATION

HD01-A F X X 5 R - 030



备注:

- 材质:
  - 塑胶: LCP+30%G/F, UL 94V-0, 颜色: 黑色
  - 端子: 黄铜 C2680R-H T=0.20±0.01mm. 接触区镀金G/F.
  - 外壳: SPCC T=0.40mm, 镀可焊锡: 30~50U"
- 特性:
  - 绝缘阻抗: 100MΩ MIN.
  - 额定电流: 0.5A
  - 耐压: 300V AC(RMS)
  - 寿命: 10000 CYCLES
- 环境特性: 使用温度: -40°C~85°C
- 符合本公司环境物质管理标准
- 盐雾: 24H

Bestcreate Technology Limited

TOLERANCES UNLESS OTHERWISE SPECIFIED:

|     |        |      |      |
|-----|--------|------|------|
| X.  | ± 0.50 | X.*  | ± 3* |
| .X  | ± 0.30 | .X*  | ± 2* |
| .XX | ± 0.20 | .XX* | ± 1* |

Tel/Whatsapp: 0086-13712299763  
Skype: belle.wu3340

|           |          |   |                 |
|-----------|----------|---|-----------------|
| DESIGN:   | DATE:    | TITLE:  |                 |
| I.L       | 2017.3.1 | MID MOUNT 1.6MM HDMI A FEMALE 19PIN CL-0.80MM |                 |
| CHECKED:  | DATE:    | MATERILA:                                     | PART NO:        |
| C.W       | 2017.3.1 |   | HD01-AFXX5R-030 |
| APPROVED: | DATE:    | FINSH:  | DWG NO:         |
| C.W       | 2017.3.1 |   | HD01-AFXX5R-030 |
|           |          |   | SIZE: A4        |

|      |      |       |                 |
|------|------|-------|-----------------|
| REV: | UNIT | SCALE | QUALITY SYMBOLS |
| A    | mm   | 1=1   |                 |