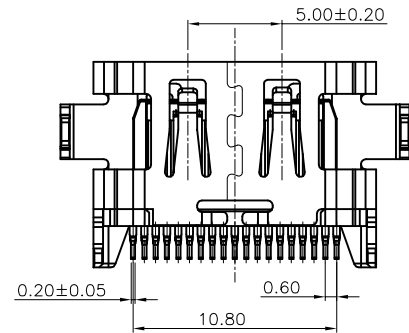
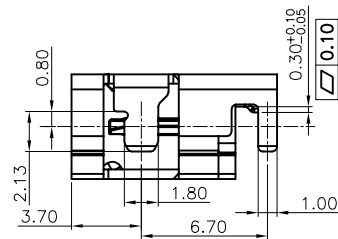
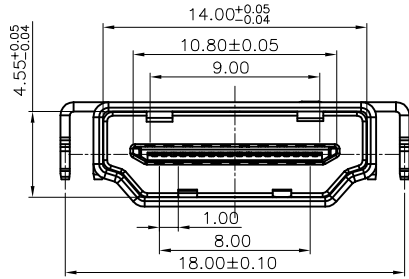
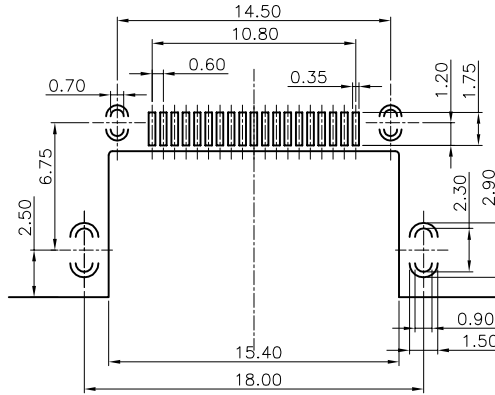
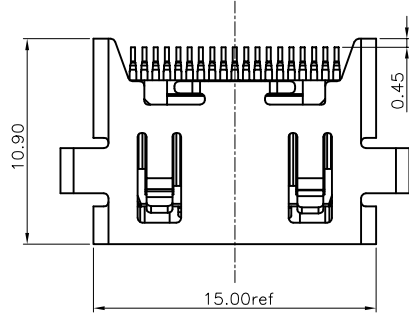


由 Autodesk 教育版产品制作

RoHS Compliant



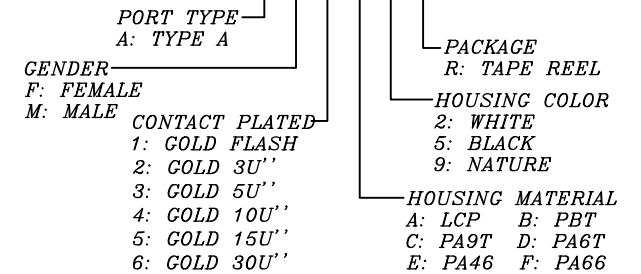
REVISIONS			
REV.	DESCRIPTION	DATE	DESIGN

NOTES:

- 1.) MATERIAL:
 - 1-1. HOUSING AND COVER:LCP,UL 94V-0,COLOR:BLACK;
 - 1-2. CONTACT:BRASS T=0.20;
 - 1-3. SHELL&SUPPORT: BRASS OR SPCC T=0.50;
- 2.) FINISH:
 - 2-1. CONTACT: Au PLATING ON CONTACT AREA,(SEE P/N DESCRIBING) MATTE PURE Sn 120u" Min. PLATING ON SOLDERTAILS,50u" MIN. Ni UNDERPLATING OVERALL;
 - 2-2. SHELL&SUPPORT: PLATING Ni 80u".
- 3.) SPECIFICATIONS:
 - 3-1. VOLTAGE RATING: 40V
 - 3-2. CURRENT RATING: 0.5A
 - 3-3. INSULATION RESISTANCE: 100MEG.OHM MIN
 - 3-4. CONTACT RESISTANCE: 30 MILL.OHM MAX
 - 3-5. OPERATION TEMPERATURE: -20° TO +85°
 - 3-6. INSERT FORCE: 44.1N MAX
 - 3-7. EXTRACT FORCE: 9.8N MIN
 - 3-8. DURABILITY: 10000 CYCLES
 - 3-9. CONTACT PULL OUT FORCE:2.99N/PIN

PART NO. INFORMATION

HD01-A F X X 5 R - 020



Bestcreate Technology Limited

TOLERANCES UNLESS OTHERWISE SPECIFIED:

X.	± 0.35	X.*	± 3"
.X	± 0.25	.X*	± 2"
.XX	± 0.15	.XX*	± 1"

Tel/Whatsapp: 0086-13712299763
Skype: belle.wu3340

DESIGN: I. L DATE: 2017.3.1

CHECKED: C. W DATE: 2017.3.1

APPROVED: C. W DATE: 2017.3.1

TITLE: MID MOUNT 1.6MM SMT HDMI AF CONNECTOR

MATERILA: C. W PART NO: HD01-AFXX5R-020 SIZE: A4

FINSH: C. W DWG NO: HD01-AFXX5R-020

REV: A	UNIT mm	SCALE 1=1	QUALITY SYMBOLS
--------	---------	-----------	-----------------

由 Autodesk 教育版产品制作