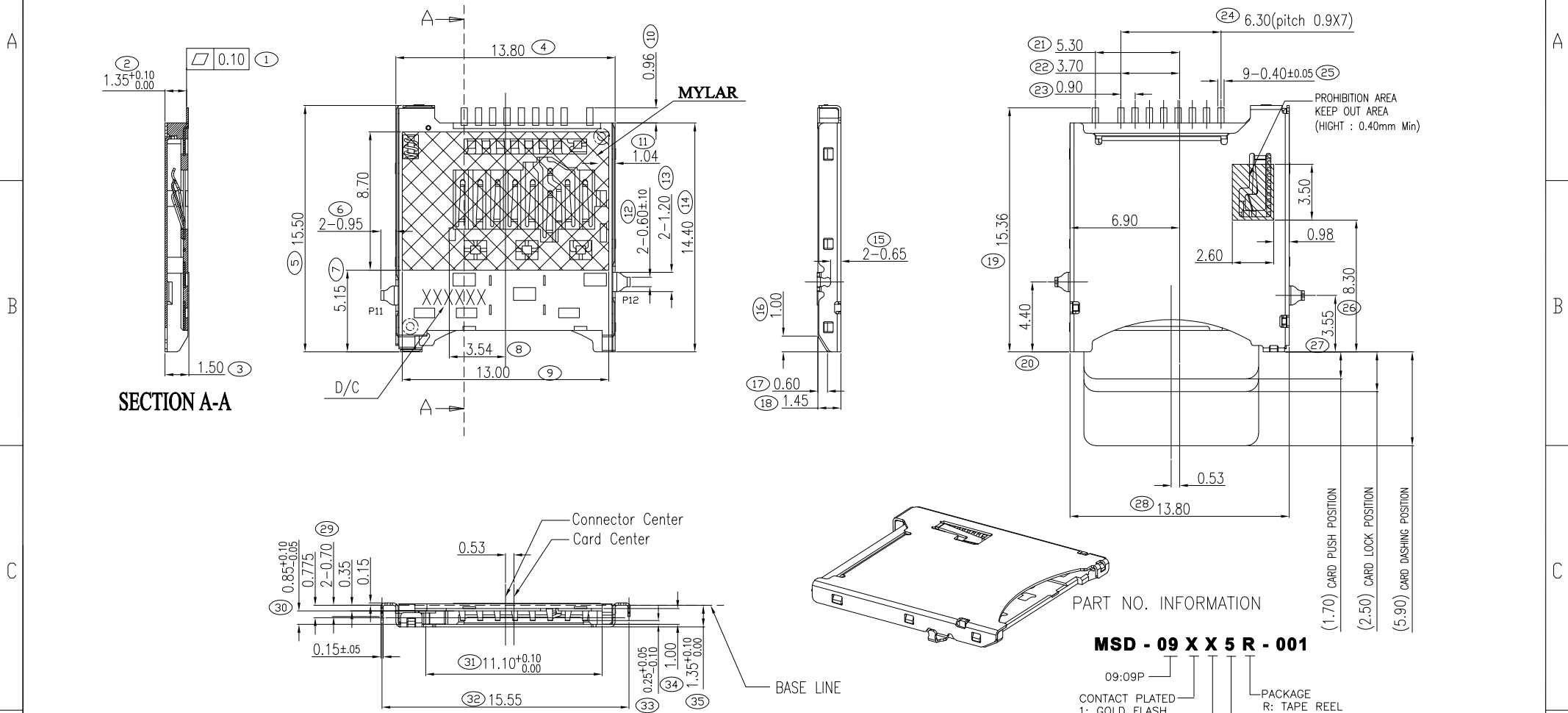


RoHS Compliant

REVISIONS			
REV.	DESCRIPTION	DATE	DESIGN



PART NO. INFORMATION

- MSD - 09 X X 5 R - 001**
- 09:09P
 - CONTACT PLATED
 - 1: GOLD FLASH
 - 2: GOLD 3U"
 - 3: GOLD 5U"
 - 4: GOLD 10U"
 - 5: GOLD 15U"
 - 6: GOLD 30U"
 - PACKAGE
 - R: TAPE REEL
 - HOUSING COLOR
 - 2: WHITE
 - 5: BLACK
 - 9: NATURE
 - HOUSING MATERIAL
 - A: LCP B: PBT
 - C: PA9T D: PA6T
 - E: PA46 F: PA66

Bestcreate Technology Limited

TOLERANCES UNLESS OTHERWISE SPECIFIED:

.X	± 0.35	X.*	± 5*
.XX	± 0.25	.X.*	± 2*
.XXX	± 0.15	.XX.*	± 1*

Website: www.bsc-elec.com
 Email: bestcreate@bsc-elec.com

DESIGN: I. L
 DATE: 2017.3.1
 CHECKED: C. W
 DATE: 2017.3.1
 APPROVED: C. W
 DATE: 2017.3.1

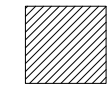
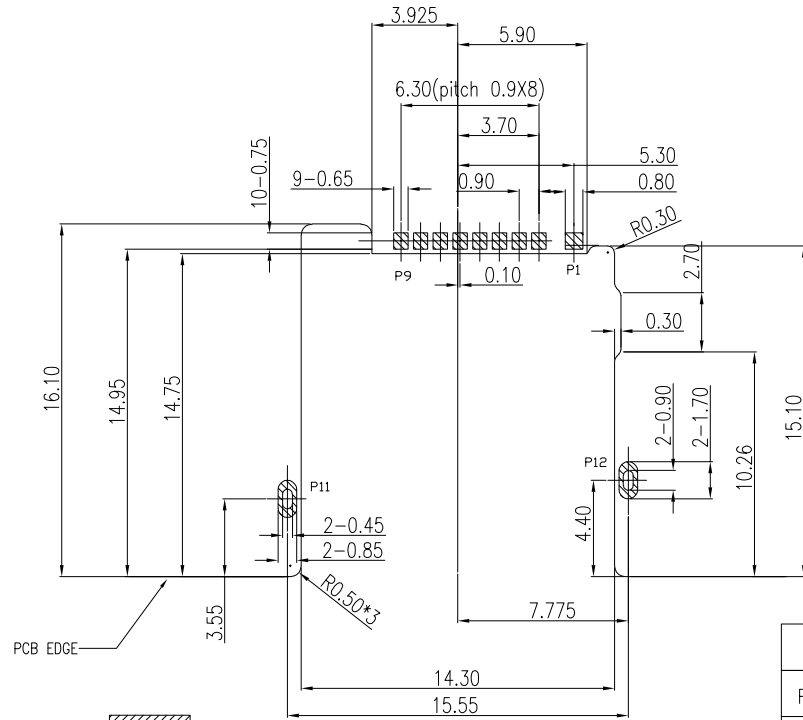
TITLE: MICRO SD BOTTOM CONTACT MID MOUNT, H=1.45MM

MATERIAL:	PART NO: MSD-09XX5R-001	SIZE: A4
FINISH:	DWG NO: MSD-09XX5R-001	SHEET: 1 OF 3

REV: A UNIT: mm SCALE: 1=1 QUALITY SYMBOLS

RoHS Compliant

REVISIONS			
REV.	DESCRIPTION	DATE	DESIGN



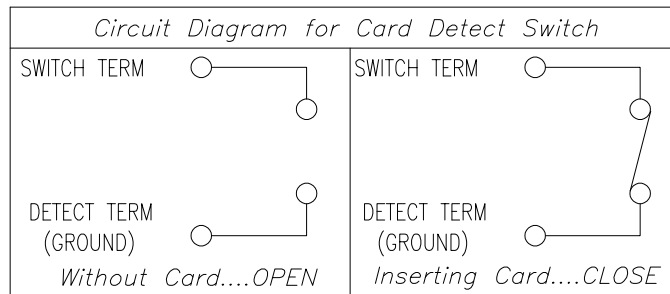
PAD AREA

PCB PATTERN LAYOUT
(GENERAL TOLERANCE:±0.05)

Specification

- *Electrical Characteristics:
Contact Current Rating:0.5Amperes.
Dielectric Withstanding Voltage:AC500V r.m.s.
Insulation Resistance:1000 Megohms
Minimum At DC 500V.
Contact Resistance:100 mΩ Maximum.
- *Mechanical Characteristics:
Mating Cycles:10,000 Cycles.
- *Environmental:
Operating Temperature:-25°C~+85°C.
- *Materials:
Insulator:HI-Temp plastic UL 94V-0 Rated.
Contact:Copper Alloy.
Shell:Stainless steel(t=0.15mm).
CARD Extraction Force
CARD Extraction Force 250±50gf

Pin Define	
P1	SWITCH TERM CD
P2	DAT1
P3	DAT0
P4	VSS
P5	CLK
P6	VDD
P7	CMD
P8	CD/DAT3
P9	DAT2
P11	GND
P12	GND



Bestcreate Technology Limited

TOLERANCES UNLESS OTHERWISE SPECIFIED:

.X	± 0.35	X.*	± 5*
.XX	± 0.25	.X*	± 2*
.XXX	± 0.15	.XX*	± 1*

Website:www.bsc-elec.com
Email:bestcreate@bsc-elec.com

DESIGN: I.L DATE: 2017.3.1

CHECKED: C.W DATE: 2017.3.1

APPROVED: C.W DATE: 2017.3.1

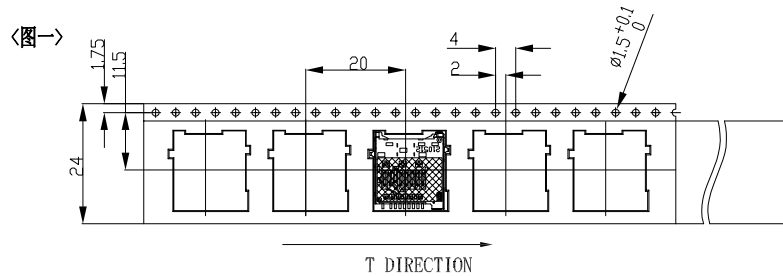
TITLE: MICRO SD BOTTOM CONTACT MID MOUNT,
H=1.45MM

MATERILA:	PART NO: MSD-09XX5R-001	SIZE: A4
FINSH:	DWG NO: MSD-09XX5R-001	SHEET: 2 OF 3

REV: A	UNIT mm	SCALE 1=1	QUALITY SYMBOLS
--------	---------	-----------	-----------------

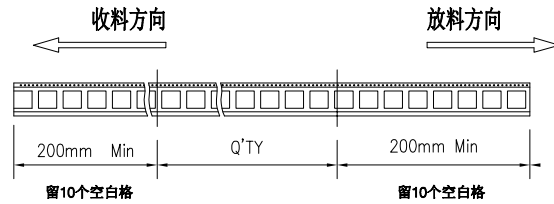
RoHS Compliant

REVISIONS			
REV.	DESCRIPTION	DATE	DESIGN

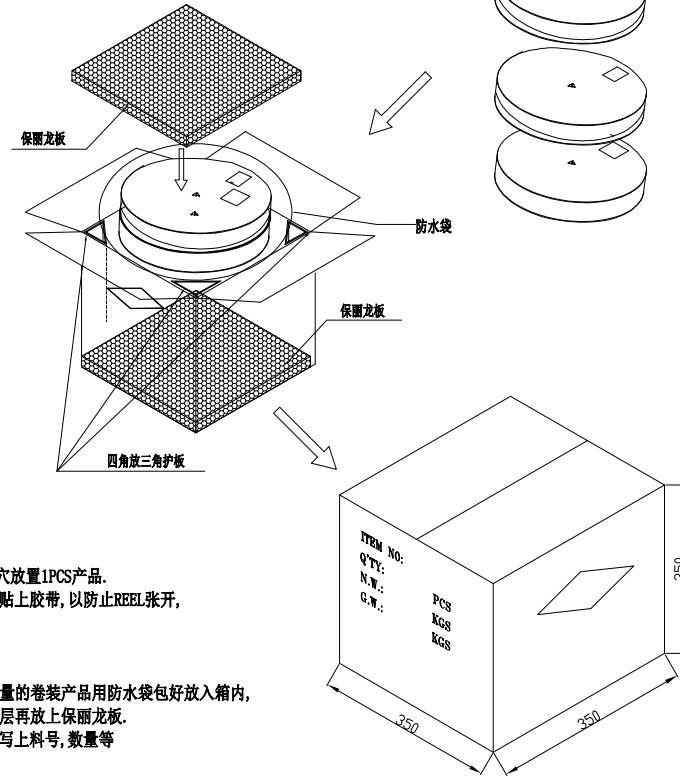


<TABLE 1> PACKAGING QUANTITY

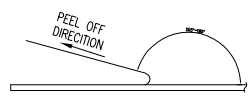
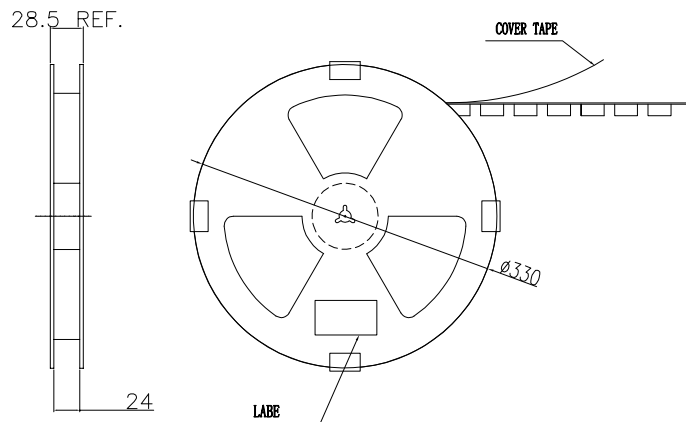
QTY/REEL	REEL/CARTON	QTY/CARTON
1250	10	12500



<图三>



<图二>



NOTE:

- 依<图一>示放置产品于下载中, 每穴放置1PCS产品.
- 包装机包好后, 在REEL的个等分点贴上胶带, 以防止REEL张开, 每REEL贴1PCS标签, 如<图二>示
- 包装数量见如<TABLE 1>示
- 包装成箱见如<图三>示
箱底放保丽龙板, 再依次将指定数量的卷装产品用防水袋包好放入箱内, 四角分别放入四个三角护板, 最上层再放上保丽龙板.
- 封箱, 在封好的纸箱上按客户要求写上料号, 数量等

Bestcreate Technology Limited

TOLERANCES UNLESS OTHERWISE SPECIFIED:

.X	± 0.35	.X'	± 5'
.XX	± 0.25	.X'	± 2'
.XXX	± 0.15	.XX'	± 1'

Website: www.bsc-elec.com

Email: bestcreate@bsc-elec.com

DESIGN: I. L DATE: 2017. 3. 1

CHECKED: C. W DATE: 2017. 3. 1

APPROVED: C. W DATE: 2017. 3. 1

TITLE: MICRO SD BOTTOM CONTACT MID MOUNT, H=1.45MM

MATERILA:	PART NO: MSD-09XX5R-001	SIZE: A4
FINSH:	DWG NO: MSD-09XX5R-001	SHEET: 3 OF 3

REV: A	UNIT mm	SCALE 1=1	QUALITY SYMBOLS
--------	---------	-----------	-----------------