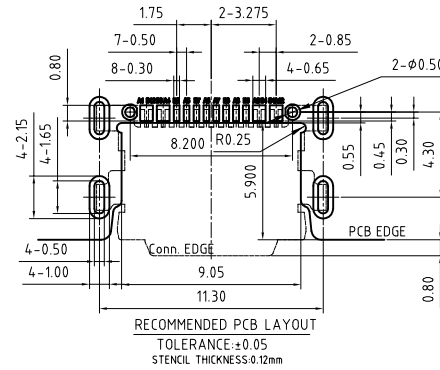
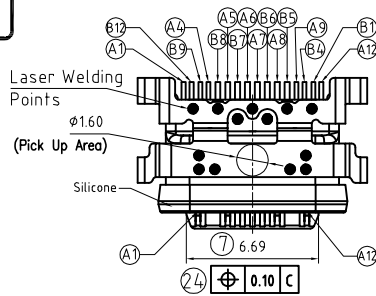


RoHS Compliant

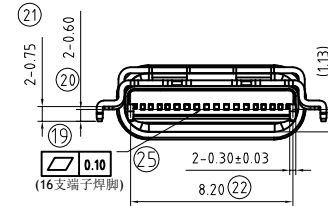
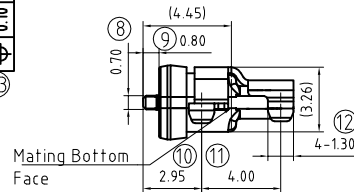
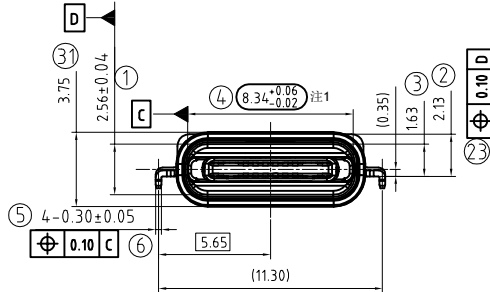


Pin Assignments

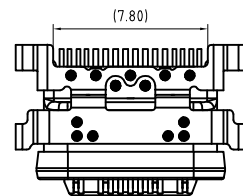
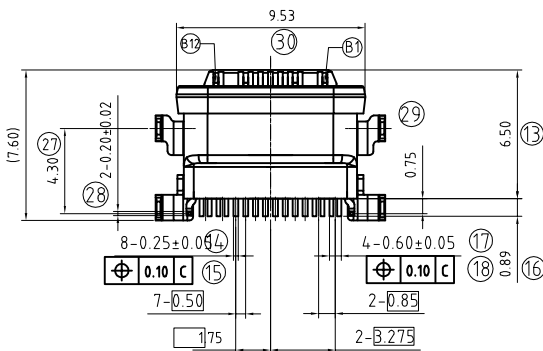
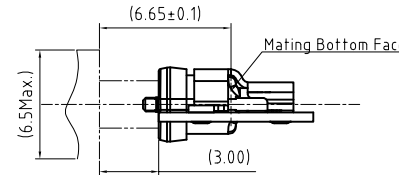
Contact Number	Signal Name	Contact Number	Signal Name
A1	GND	B12	GND
A4	VBUS	B9	VBUS
A5	CC1	B8	SBU2
A6	Dp1	B7	Dn2
A7	Dn1	B6	Dp2
A8	SBU1	B5	CC2
A9	VBUS	B4	VBUS
A12	GND	B1	GND

NOTES:

- MATERIAL SPECIFICATION:
  - 1-1.HOUSING:High-Temp Plastics,UL94V-0,Color:Black.
  - 1-2.CONTACTS:Copper Alloy T=0.25mm.
  - 1-3.OUTER SHELL:Stainless Steel,T=0.30mm.
  - 1-4.INNER SHELL:Stainless Steel,T=0.20mm.
  - 1-5.MID-PLATE:Stainless Steel,T=0.20mm.
  - 1-6.SOLDER-PLATE:Stainless Steel,T=0.10mm.
- PLATING SPECIFICATION:
  - 2-1.CONTACTS:  
Ni UNDERPLATED OVER ALL;  
Gold Plated On Contact Area;  
Gold Flash Plated On Solder Area.
  - 2-2.SHELL:  
Ni UNDERPLATED OVER ALL;  
Gold Flash Plated ON Solder Leg.
- RoHS AND HF COMPLIANT.
- MECHANICAL PERFORMANCE:
  - 4-1.MATING FORCE:6~20N(Initial);5~20N(After)
  - 4-2.UNMATING FORCE:8~20N(Initial);6~20N(After)
  - 4-3.DURABILITY:10000 CYCLES.
- ELECTRICAL PERFORMANCE:
  - 5-1.CURRENT RATING:5A;VOLTAGE RATING:20V
  - 5-2.LLCR:  
VBUS & GND PINS:40mΩ/PIN MAX.;  
OTHERS PINS:40mΩ/PIN MAX.;  
LLCR MAX. CHANGE OF ALL PINS:10mΩ.
  - 5-3.INSULATION RESISTANCE:100MΩ MIN.
  - 5-4.DIELECTRIC WITHSTANDING VOLTAGE:  
100V AC FOR 1 MINUTE.
- ENVIRONMENTAL PERFORMANCE:
  - OPERATING TEMPERATURE:-20℃~+85℃.
- RECOMMENDED PROCESS:  
THE PEAK TEMPERATURE ON THE BOARD SHALL MAINTAIN 10±1 SECONDS AT 260±5℃.



Mated Condition(REF.)



PART NO. INFORMATION

U06-C F X X 5 R - W068

- PORT TYPE  
C: TYPE C
- GENDER  
F: FEMALE  
M: MALE
- CONTACT PLATED  
1: GOLD FLASH  
2: GOLD 3U"  
3: GOLD 5U"  
4: GOLD 10U"  
5: GOLD 15U"  
6: GOLD 30U"
- PACKAGE  
R:TAPE&REEL
- HOUSING COLOR  
2: WHITE  
5: BLACK  
9: NATURE
- HOUSING MATERIAL  
A: LCP B: PBT  
C: PA9T D: PA6T  
E: PA46 F: PA66

Bestcreate Technology Limited

TOLERANCES UNLESS OTHERWISE SPECIFIED:

.X	± 0.30	.X*	± 2*
.XX	± 0.10	.X*	± 1*
.XXX	± 0.05	.X*	± 0.5*

Website:www.bsc-elec.com  
Email:bestcreate@bsc-elec.com

DESIGN: I. L DATE:

CHECKED: C. W DATE:

APPROVED: C. W DATE:

TITLE: Mid Mount 1.3mm IPX7 Waterproof 16P USB C Female Connector

MATERILA:	PART NO: U06-CFX5R-W068	SIZE: A4
FINSH:	DWG NO: U06-CFX5R-W068	

REV: A	UNIT	SCALE 1:1	QUALITY SYMBOL
--------	------	--------------	----------------