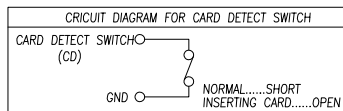
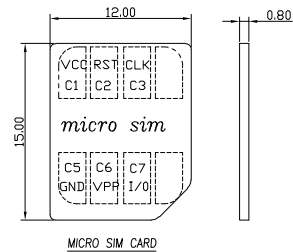
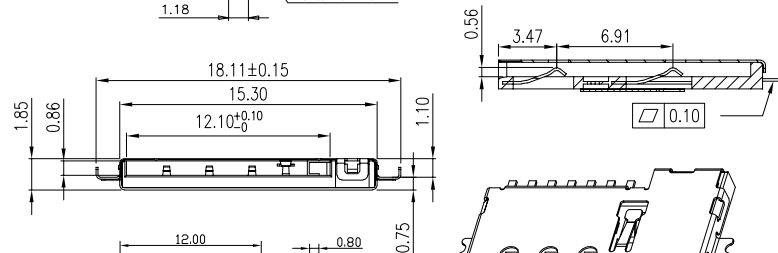
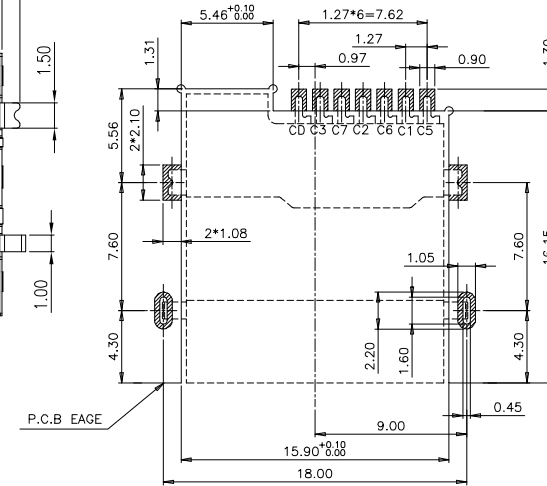
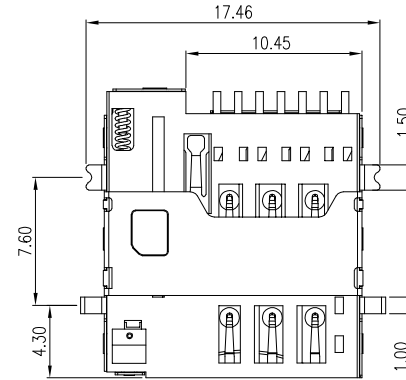
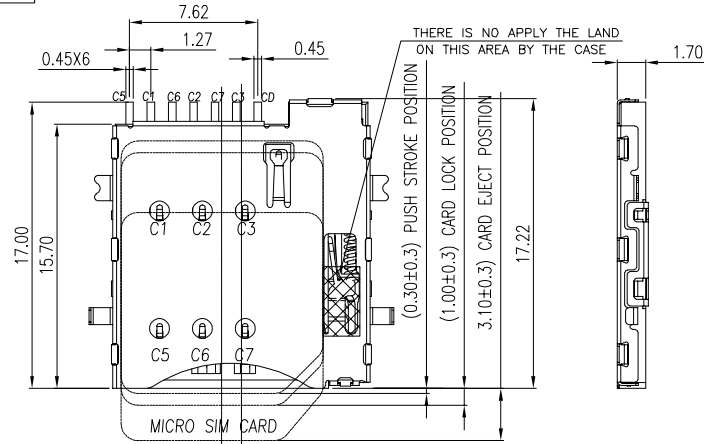


RoHS Compliant

REVISIONS			
REV.	DESCRIPTION	DATE	DESIGN



- 1) MATERIAL:  
 1.1 HOUSING:LCP,UJ94-V0,COLOR:BLACK  
 1.2 CONTACT:C5210-EH  
 1.3 SHELL:SUS304-H
- 2) FINISH:  
 2.1 TERMINAL:50 μm Min.NICKEL PLATED OVERALL  
 2.2 CONTACT:GOLD FLASH PLATED ON CONTACT AREA;  
 GOLD FLASH PLATED ON SOLDER TAILS;
- 3) ELECTRICAL CHARACTERISTICS  
 RATING CURRENT : 0.5A MAX.  
 CONTACT RESISTANCE :30 mΩ MAX  
 DIELECTRIC WITHSTANDING : 500V AC MIN.  
 INSULATION RESISTANCE: 1000 MΩ MIN.
- 4) MECHANICAL CHARACTERISTICS  
 MATING CYCLE :3000 CYCLES  
 Contact retention force: 50gf/pin Min.

■ CIRCUIT TRACE KEEP OUT AREA  
 ■ SMT SOLDER AREA  
 THERE SHOULD NOT BE ANY CIRCUITRIES  
 IN THE LAYOUT SPACE OF THE PRODUCTS.  
RECOMMENDED PCB LAYOUT  
 GENERAL TOLERANCE ±0.05

PART NO.:

**MCSIM -06 X X 5 R - 019**

06:06P  
 CONTACT PLATED  
 1: GOLD FLASH  
 2: GOLD 3U"  
 3: GOLD 5U"  
 4: GOLD 10U"  
 5: GOLD 15U"  
 6: GOLD 30U"  
 PACKAGE  
 R: TAPE REEL  
 HOUSING COLOR  
 2: WHITE  
 5: BLACK  
 9: NATURE  
 HOUSING MATERIAL  
 A: LCP B: PBT  
 C: PA9T D: PA6T  
 E: PA46 F: PA66

SIM pin Assignment	
PIN#	Name
C1	VCC
C2	RST
C3	CLK
C5	GND
C6	VPP
C7	I/O

**Bestcreate Technology Limited**

TOLERANCES UNLESS OTHERWISE SPECIFIED:

.X	± 0.35	.X'	± 5'
.XX	± 0.25	.X''	± 2'
.XXX	± 0.15	.XX''	± 1'

Website:www.bsc-elec.com  
 Email:bestcreate@bsc-elec.com

DESIGN: I.L DATE: 2017.3.1  
 CHECKED: C.W DATE: 2017.3.1  
 APPROVED: C.W DATE: 2017.3.1

TITLE: MICRO SIM CARD PUSH PUSH 6PIN WITH CD PIN (MID MOUNT 1.10)

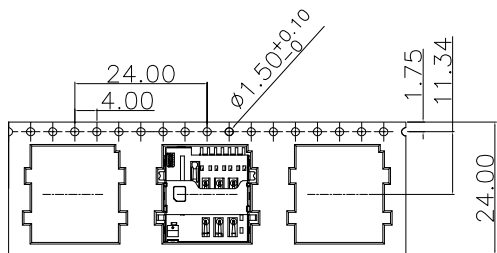
MATERILA:	PART NO:	SIZE:
	MCSIM-06XX5R-019	A4
FINSH:	DWG NO:	SHEET:
	MCSIM-06XX5R-019	1 OF 2

REV:	UNIT	SCALE	QUALITY SYMBOLS
A	mm	1=1	

RoHS Compliant

REVISIONS			
REV.	DESCRIPTION	DATE	DESIGN

<图一>



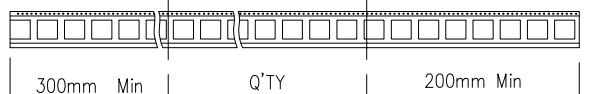
<TABLE 1> PACKAGING QUANTITY

QTY/REEL	REEL/CARTON	QTY/CARTON
1000	10	10000

T DIRECTION

收料方向

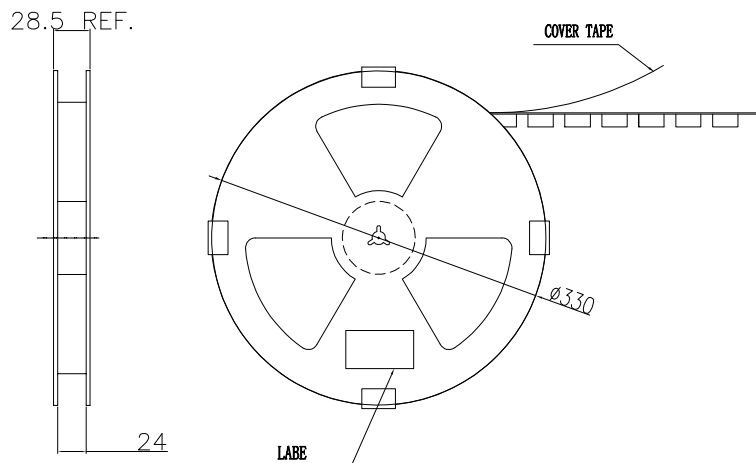
放料方向



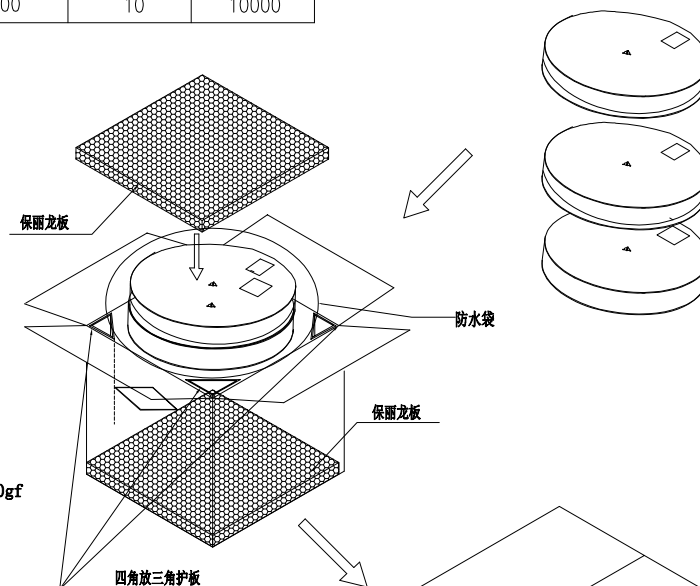
留16个空白格

留16个空白格

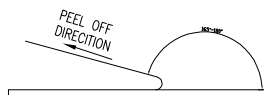
<图二>



<图三>

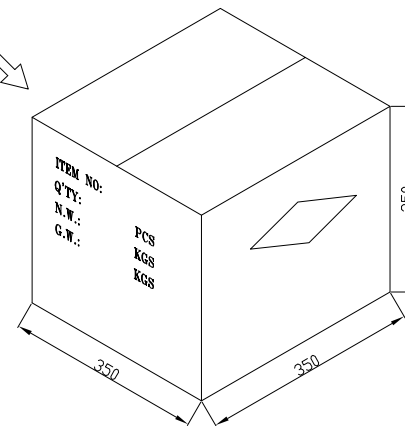


COVER TAPE PEELING FORCE: 20gf~100gf



NOTE:

1. 依<图一>示放置产品于下载中, 每穴放置1PCS产品.
2. 包装机包好后, 在REEL的个等分点贴上胶带, 以防止REEL张开, 每REEL贴1PCS标签, 如<图二>示
3. 包装数量见如<TABLE 1>示
4. 包装成箱见如<图三>示  
箱底放保丽龙板, 再依次将指定数量的卷装产品用防水袋包好放入箱内, 四角分别放入四个三角护板, 最上层再放上保丽龙板.
5. 封箱, 在封好的纸箱上按客户要求写上料号, 数量等



**Bestcreate Technology Limited**

TOLERANCES UNLESS OTHERWISE SPECIFIED:

.x	± 0.35	X.*	± 5*
.XX	± 0.25	.X*	± 2*
.XXX	± 0.15	.XX*	± 1*

Website: [www.bsc-elec.com](http://www.bsc-elec.com)  
Email: [bestcreate@bsc-elec.com](mailto:bestcreate@bsc-elec.com)

DESIGN: I. L DATE: 2017. 3. 1

CHECKED: C. W DATE: 2017. 3. 1

APPROVED: C. W DATE: 2017. 3. 1

TITLE: MICRO SIM CARD PUSH PUSH 6PIN WITH CD PIN (MID MOUNT 1. 10)

MATERILA:	PART NO: MCSIM-06XX5R-019	SIZE: A4
FINSH:	DWG NO: MCSIM-06XX5R-019	SHEET: 2 OF 2

REV: A UNIT mm SCALE 1=1 QUALITY SYMBOLS