

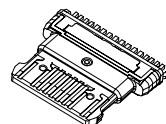
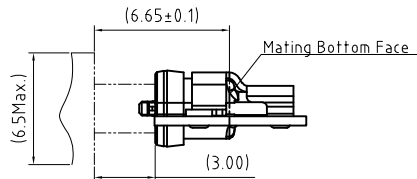
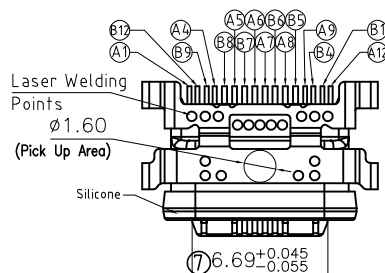
RoHS Compliant



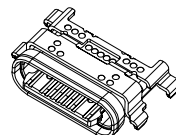
REVISIONS			
REV.	DESCRIPTION	DATE	DESIGN

NOTES:

- ELECTRICAL CHARACTERISTICS:
 - CONTACT CURRENT RATING:3A
 - CONTACT RATED VOLTAGE:5VDC;
 - CONTACT RESISTANCE; INITIAL: 40mohm Max. AFTER: $\Delta < 10$ mohm
 - INSULATION RESISTANCE:100Mohm Min;
 - WITHSTANDING STRENGTH:100V AC FOR 1 MINUTE;
 - MECHANICAL CHARACTERISTICS:
 - INSERTION FORCE:INITIAL 6-20N ; AFTER 5-20N;
 - EXTRACTION FORCE:INITIAL 8-20N; AFTER 6-20N;
 - DURABILITY:10000 CYCLES
 - RoHS OR HF COMPLIANT
 - ENVIRONMENTAL PERFORMANCE:
 - OPERATING TEMPERATURE:-20°C~+85°C.
 - RECOMMENDED PROCESS:
 - THE PEAK TEMPERATURE ON THE BOARD SHALL MAINTAIN 10±1 SECONDS AT 260±5°C.
6. 防水等级 IPX8 1.5米深 30分钟



半成品3D



成品3D

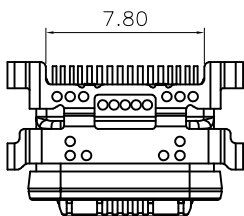
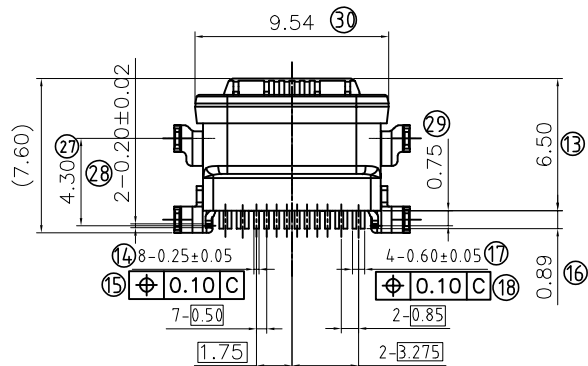
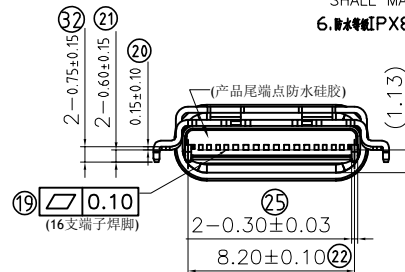
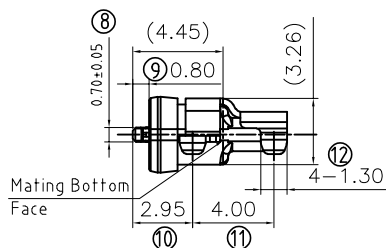
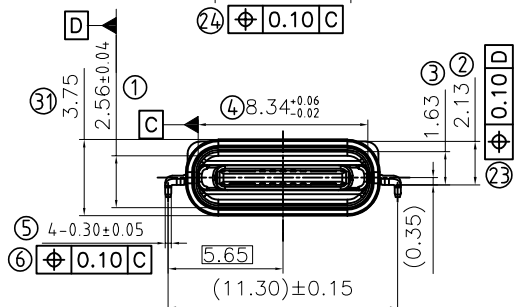


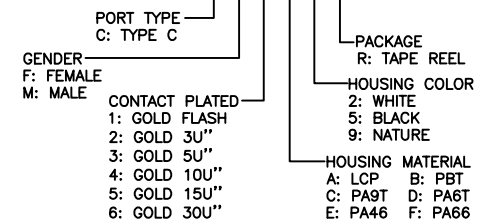
TABLE:

ITEM	NAME	QTY	MATERIAC	FINISH
H	LIM	1	SILICONE	UL94V-0, BLACK
G	GLUE	1	SILICONE	UL94V-0
F	OUTER SHELL	1	Stainless Steel, T=0.30	OVER ALL: 50u" Min Ni UNDERPLATED SOLDER TAIL: G/F AU PLATED
E	INNER SHELL	1	Stainless Steel, T=0.20	CLEAN
D	SOLDER-PLATE	1	Stainless Steel, T=0.10	CLEAN
C	HOUSING 1	1	High-Temp Plastics	UL94V-0, Color: Black.
B	MID-PLATE	1	Stainless Steel, T=0.20	OVER ALL: 50u" Min Ni PLATED
A	CONTACTS	16	Copper Alloy T=0.25mm	CONTACT AREA: 3u" Au Min SOLDER TAIL: G/F AU OVER ALL: 50u" Ni UNDERPLATED

PART NO.	Contact Area Plating	ITEM	NAME	QTY	MATERIAC	FINISH
CF190-16SCB12R-07	Au 3u"	A	CONTACTS	16	Copper Alloy T=0.25mm	CONTACT AREA: 3u" Au Min SOLDER TAIL: G/F AU OVER ALL: 50u" Ni UNDERPLATED

PART NO. INFORMATION

U06-C F X X 5 R - W086



Bestcreate Technology Limited

TOLERANCES UNLESS OTHERWISE SPECIFIED:

.X	± 0.30	X.	± 5"
.XX	± 0.20	.X.	± 2"
.XXX	± 0.15	.XX.	± 1"

DESIGN: I. L DATE: _____
 CHECKED: C. W DATE: _____
 APPROVED: C. W DATE: _____

TITLE: IPX8 WATERPROOF 16P USB C FEMALE CONNECTOR MID MOUNT 1.13MM
 MATERILA: _____ PART NO: U06-CFXX5R-W086 SIZE: A4
 FINSH: _____ DWG NO: U06-CFXX5R-W086 1 OF 2

REV: A UNIT mm SCALE 1=1 QUALITY SYMBOLS

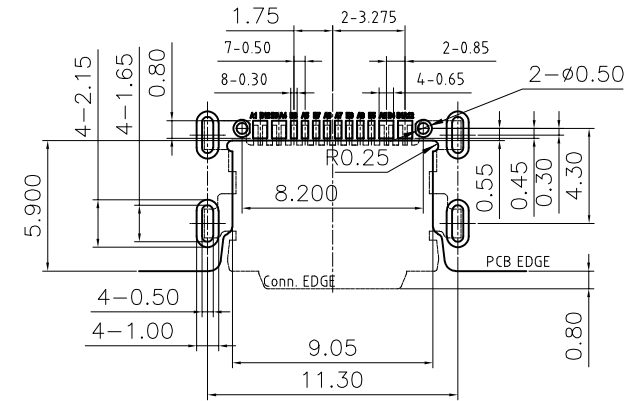
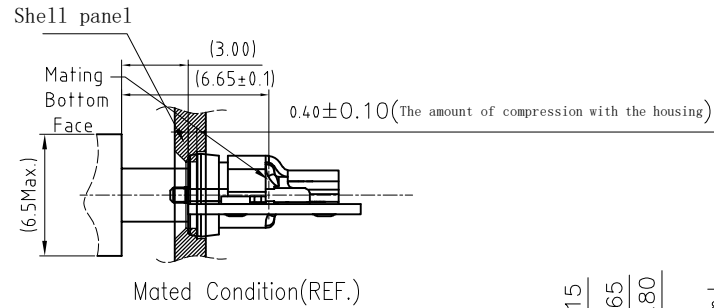
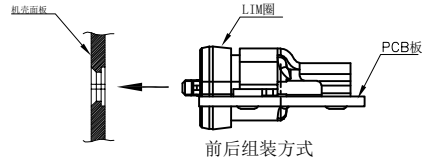
Website: www.bsc-elec.com
 Email: bestcreate@bsc-elec.com

RoHS Compliant

REVISIONS			
REV.	DESCRIPTION	DATE	DESIGN



建议密封方式
Recommended sealing method



RECOMMENDED PCB LAYOUT
TOLERANCE:±0.05
STENCIL THICKNESS:0.12mm

Pin Assignments

Contact Number	Signal Name	Contact Number	Signal Name
A1	GND	B12	GND
/	/	/	/
A4	VBUS	B9	VBUS
A5	CC1	B8	SBU2
A6	Dp1	B7	Dn2
A7	Dn1	B6	Dp2
A8	SBU1	B5	CC2
A9	VBUS	B4	VBUS
/	/	/	/
A12	GND	B1	GND

Bestcreate Technology Limited

TOLERANCES UNLESS OTHERWISE SPECIFIED:

.X	± 0.30	X.'	± 5'
.XX	± 0.20	.X'	± 2'
.XXX	± 0.15	.XX'	± 1'

Website:www.bsc-elec.com
Email:bestcreate@bsc-elec.com

DESIGN: I. L DATE:

CHECKED: C. W DATE:

APPROVED: C. W DATE:

TITLE:
IPX8 WATERPROOF 16P USB C FEMALE
CONNECTOR MID MOUNT 1.13MM

MATERILA: PART NO: U06-CFXX5R-W086 SIZE: A4

FINSH: DWG NO: U06-CFXX5R-W086 2 OF 2

REV: A UNIT mm SCALE 1=1 QUALITY SYMBOLS