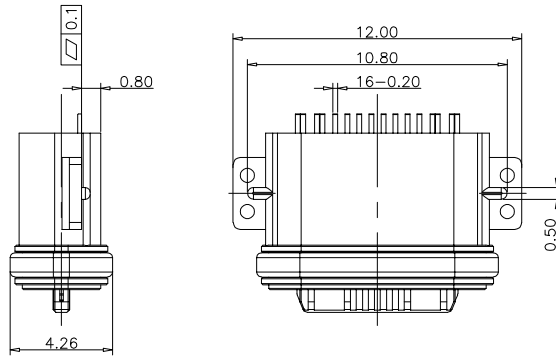
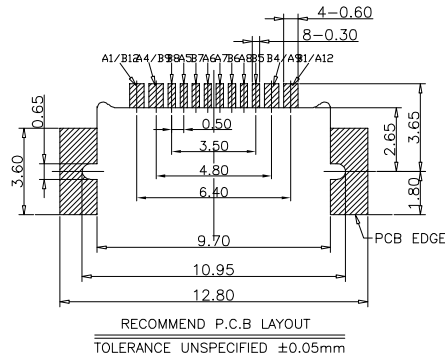
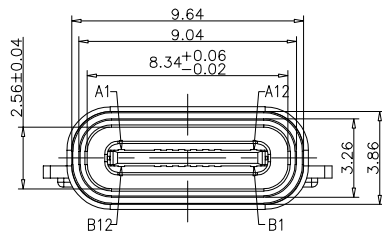
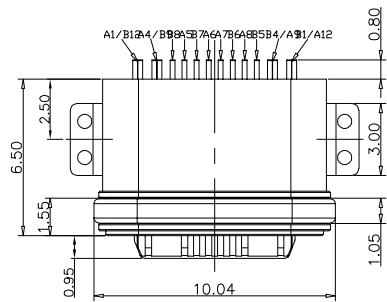
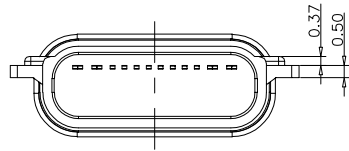
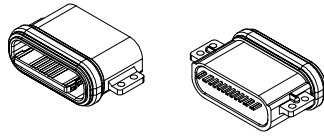


RoHS Compliant



PART NO. INFORMATION

U06-C F X X 5 R - W061-V1

PORT TYPE
C: TYPE C

GENDER
F: FEMALE
M: MALE

CONTACT PLATED
1: GOLD FLASH
2: GOLD 3U"
3: GOLD 5U"
4: GOLD 10U"
5: GOLD 15U"
6: GOLD 30U"

PACKAGE
R: TAPE REEL

HOUSING COLOR
2: WHITE
5: BLACK
9: NATURE

HOUSING MATERIAL
A: LCP B: PBT
C: PA9T D: PA6T
E: PA46 F: PA66

REVISIONS

| REV. | DESCRIPTION | DATE | DESIGN |
|------|-------------|------|--------|
| | | | |

NOTES:

SPECIFICATION:

- CURRENT RATING: 3.0 A
- VOLTAGE RATING: 3.0 V
- VBUS & GND PINS AND OTHER PINS: 40mQ/PIN MAX
SHIELD: 50mQ/MAX
LLCR MAX. CHANGE OF ALL PINS: 10Qm
- INSULATION RESISTANCE: 100MΩ MIN
- DIELECTRIC WITHSTAND VOLTAGE, AC 100V FOR 1MINUTE
- INSERTION FORCE: 0.5~2.0kgf
- UNMATING FORCE: 0.8~2.0kgf
- DURABILITY: 10000 CYCLES
- OPERATING TEMPERATURE: -35°C~+85°C
- THE PEAK TEMPERATURE ON THE BOARD SHALL BE MAINTAINED FOR 10 SECONDS AT 210-230°C
- WATERPROOF: IP-X7.

USB TYPE C PIN ASSIGNMENTS

| PIN NUMBER | SIGNAL NAME | PIN NUMBER | SIGNAL NAME |
|------------|-------------|------------|-------------|
| A1 | GND | B12 | GND |
| A4 | VBUS | B9 | VBUS |
| A5 | CC1 | B8 | SBU2 |
| A6 | DP1 | B7 | DN2 |
| A7 | DN1 | B6 | DP2 |
| A8 | SBU1 | B5 | CC2 |
| A9 | VBUS | B4 | VBUS |
| A12 | GND | B1 | GND |

TABLE:

| NO | PART | Q'TY | Material |
|----|-----------------|------|------------------------------------|
| 1 | SHELL | 1 | ZINC ALLOG, NI30u"Min PLATED |
| 2 | CONTACT | 16 | C7025, TIN80u"/Au3u"/NI30u"PLATED |
| 3 | MID PLATE | 1 | SUS301, NO PLATING |
| 4 | HOUSING | 1 | LCP(E130i) UL94 V-0 BLACK |
| 5 | WATERPROOF RING | 1 | SILICONE(SI/60-65A) UL94 V-0 BLACK |

Bestcreate Technology Limited

TOLERANCES UNLESS OTHERWISE SPECIFIED:

| | | | |
|------|--------|------|------|
| .X | ± 0.20 | X.* | ± 5° |
| .XX | ± 0.15 | .X* | ± 2° |
| .XXX | ± 0.10 | .XX* | ± 1° |

Website: www.bsc-elec.com

Email: bestcreate@bsc-elec.com

DESIGN: I.L DATE:

CHECKED: C.# DATE:

APPROVED: C.# DATE:

TITLE:
**IPX7 WATERPROOF USB TYPE C 16P FEMALE CONNECTOR
MID-MOUNT 0.8MM, L=6.5MM**

| | | |
|-----------|--------------------------------|-------------|
| MATERILA: | PART NO: U06-CFXX5R-W061-V1 | SIZE: A4 |
| FINSH: | DWG NO: U06-CFXX5R-W061-V1 | |

| | | | |
|--------|---------|-----------|-----------------|
| REV: A | UNIT mm | SCALE 1=1 | QUALITY SYMBOLS |
|--------|---------|-----------|-----------------|