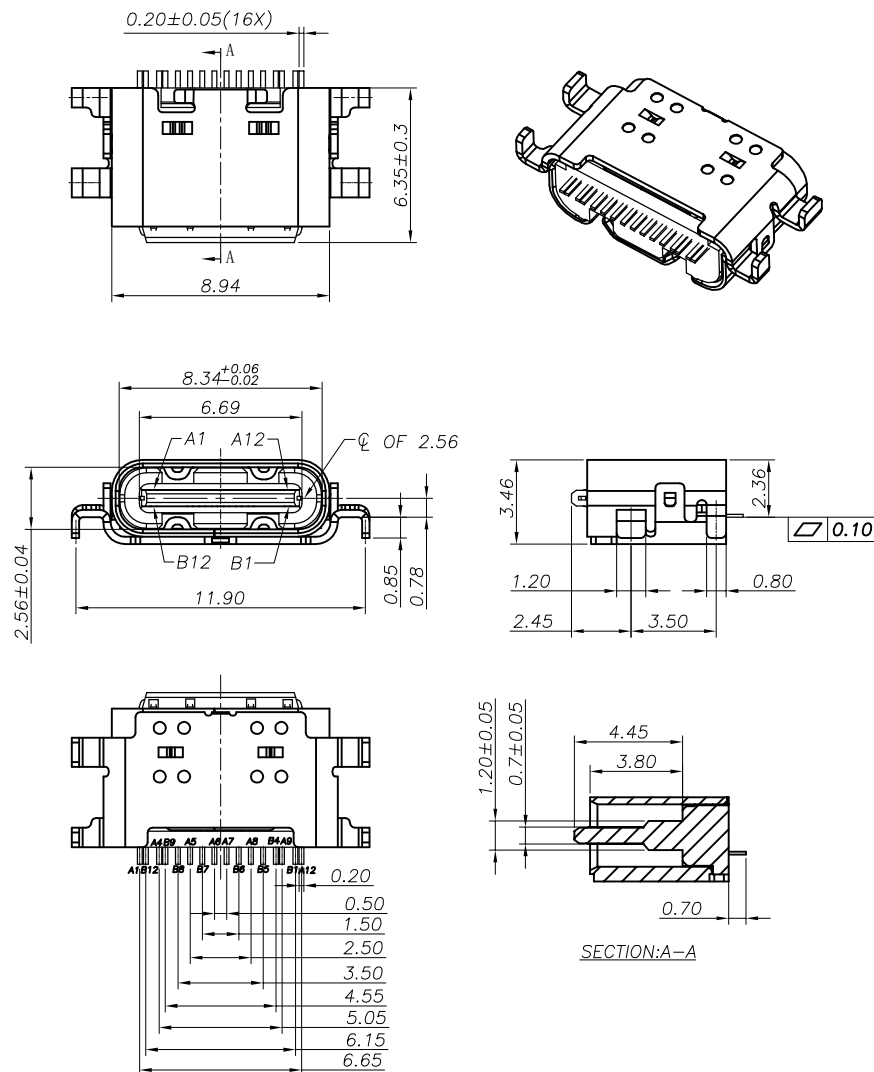


RoHS Compliant

REVISIONS			
REV.	DESCRIPTION	DATE	DESIGN

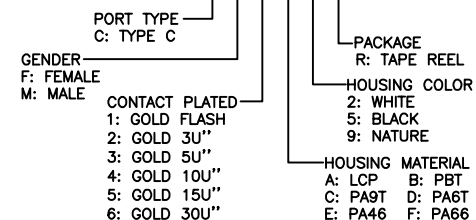
NOTE:

- MATERIAL SPECIFICATION:
 - HOUSING: HIGH TEMPERATURE RESISTANT PLASTIC, UL94 V-0.
 - CONTACTS: COPPER ALLOY (C1814)
 - MID PLATE: STAINLESS STEEL (SUS301)
 - FRONT SHELL: STAINLESS STEEL (SUS304)
 - COVER: STAINLESS STEEL (SUS304)
- PLATING SPECIFICATION:
 - CONTACTS:
 - Ni 50u" MIN. UNDER PLATED OVER ALL.
 - Au PLATED ON THE FUNCTIONAL AREA OF CONTACT. (GOLD PLATING THICKNESS FOLLOW THE P/N)
 - PLATING SPECIFICATIONS OF THE SOLDER AREA FOLLOW THE P/N
 - FRONT SHELL & COVER:
 - Ni 30u" MIN. UNDER PLATED OVER ALL.
 - MID PLATE:
 - CLEAR ONLY
- MECHANICAL PERFORMANCE,
 - INSERTION FORCE: 0.5~2.0kgf.
 - REMOVAL FORCE: 0.8kgf~2.0kgf.
 - DURABILITY: 10000 CYCLES.
- ELECTRICAL PERFORMANCE,
 - CURRENT RATING: 3.0A
VOLTAGE RATING: 5.0V
 - LLCR:
 - VBUS & GND PINS AND OTHER PINS: 40mΩ/PIN MAX.
 - SHIELD: 50mΩ/MAX.
 - LLCR MAX. CHANGE OF ALL PINS: 10mΩ.
 - INSULATION RESISTANCE: 100MΩ MIN
 - DIELECTRIC WITHSTAND VOLTAGE, AC 100V FOR 1 MINUTE.
- ENVIRONMENTAL PERFORMANCE:
 - OPERATING TEMPERATURE: -25°C~+85°C.
- IR REFLOW:
 - THE PEAK TEMPERATURE ON THE BOARD SHALL BE MAINTAINED FOR 10 SECONDS AT 260°C.



PART NO. INFORMATION

U06-C F X X 5 R - 053



Bestcreate Technology Limited

TOLERANCES UNLESS OTHERWISE SPECIFIED:

.X	± 0.30	X.	± 10'
.XX	± 0.20	.X'	± 8'
.XXX	± 0.10	.XX'	± 5'

DESIGN: I. L

DATE:

CHECKED: C. W

DATE:

APPROVED: C. W

DATE:

TITLE:

MID MOUNT 0.8MM 16P USB C FEMALE CONNECTOR
L=6.35MM

MATERIAL:

PART NO:

U06-CFXX5R-053

SIZE: A4

FINISH:

DWG NO:

U06-CFXX5R-053

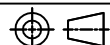
1 OF 3

REV: A

UNIT mm

SCALE 1=1

QUALITY SYMBOLS



Website: www.bsc-elec.com

Email: bestcreate@bsc-elec.com

1

2

3

4

5

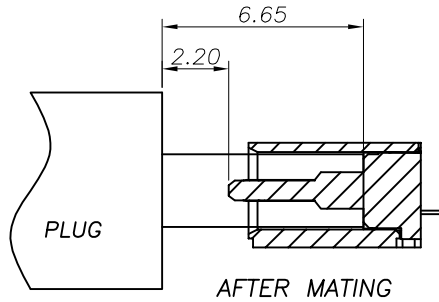
6

7

8

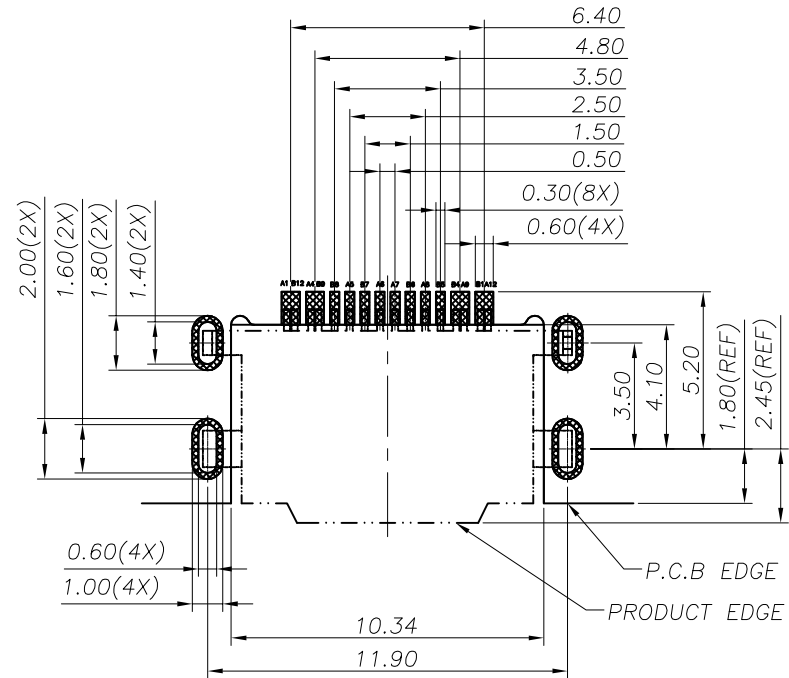
RoHS Compliant

REVISIONS			
REV.	DESCRIPTION	DATE	DESIGN



USB TYPE-C PIN ASSIGNMENTS

PIN NUMBER	SIGNAL NAME	PIN NUMBER	SIGNAL NAME
A1	GND	B12	GND
A4	VBUS	B9	VBUS
A5	CC1	B8	SBU2
A6	Dp1	B7	Dn2
A7	Dn1	B6	Dp2
A8	SBU1	B5	CC2
A9	VBUS	B4	VBUS
A12	GND	B1	GND



RECOMMENDED PCB LAYOUT(TOP VIEW)
THICKNESS 0.80MM;DEFAULT TOLERANCE:±0.05

Bestcreate Technology Limited

TOLERANCES UNLESS OTHERWISE SPECIFIED:

.X	± 0.30	X'	± 10'
.XX	± 0.20	.X''	± 8'
.XXX	± 0.10	.XX''	± 5'

DESIGN: I. L DATE:

CHECKED: C. W DATE:

APPROVED: C. W DATE:

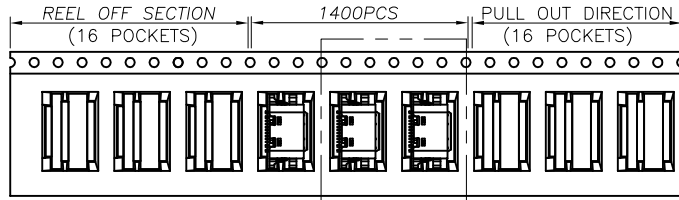
TITLE:
MID MOUNT 0.8MM 16P USB C FEMALE CONNECTOR
L=6.35MM

MATERILA:	PART NO: U06-CFXX5R-053	SIZE: A4
FINSH:	DWG NO: U06-CFXX5R-053	2 OF 3

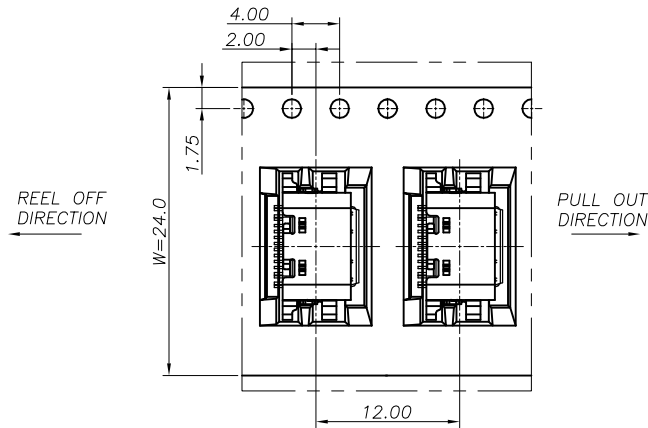
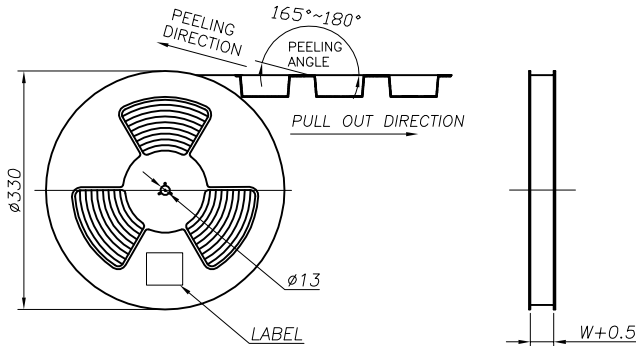
REV: A UNIT mm SCALE 1=1 QUALITY SYMBOLS

Website:www.bsc-elec.com
Email:bestcreate@bsc-elec.com

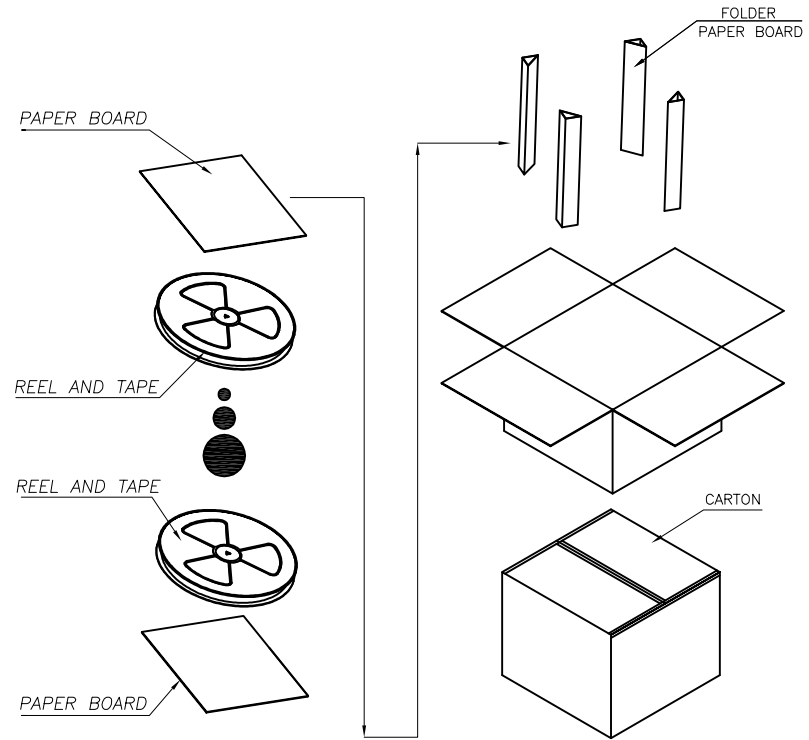
RoHS Compliant



SEE DETAIL X



REVISIONS			
REV.	DESCRIPTION	DATE	DESIGN



	REEL	CARTON
CONNECTOR (PCS)	1400	9800

Bestcreate Technology Limited

TOLERANCES UNLESS OTHERWISE SPECIFIED:

.X	± 0.30	X'	± 10'
.XX	± 0.20	.X'	± 8'
.XXX	± 0.10	.XX'	± 5'

Website: www.bsc-elec.com
 Email: bestcreate@bsc-elec.com

DESIGN: I. L. DATE:

CHECKED: C. W. DATE:

APPROVED: C. W. DATE:

TITLE: MID MOUNT 0.8MM 16P USB C FEMALE CONNECTOR
 L=6.35MM

MATERIAL:	PART NO: U06-CFXX5R-053	SIZE: A4
FINISH:	DWG NO: U06-CFXX5R-053	3 OF 3

REV: A	UNIT mm	SCALE 1=1	QUALITY SYMBOLS
--------	---------	-----------	-----------------