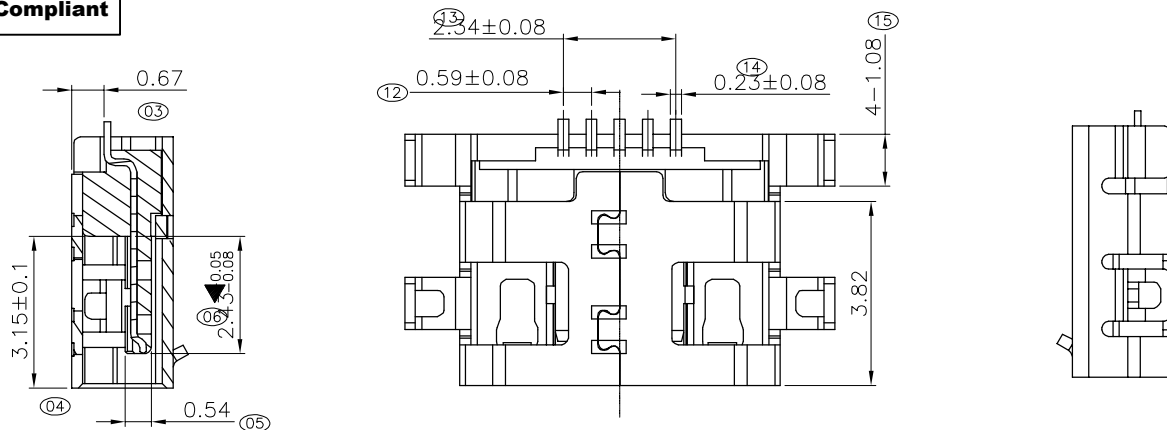


RoHS Compliant



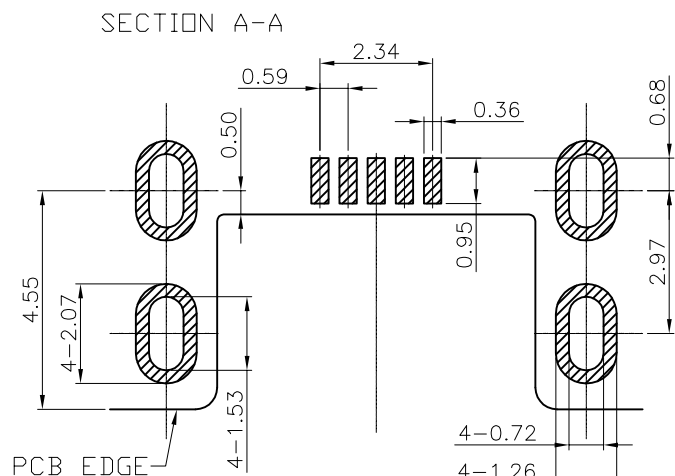
Note:

1.Material:

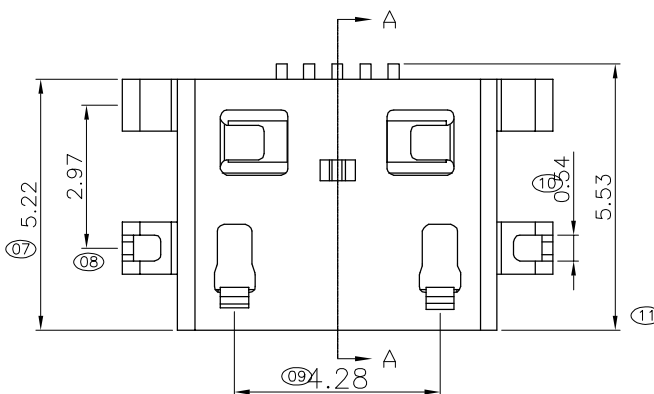
- 1.1 Housing: High temperature thermoplastic with g.f,UL94v-0
- 1.2 Contact: copper alloy,t=0.15mm
- 1.3 Shell: copper alloy,t=0.25mm

2.Specification:

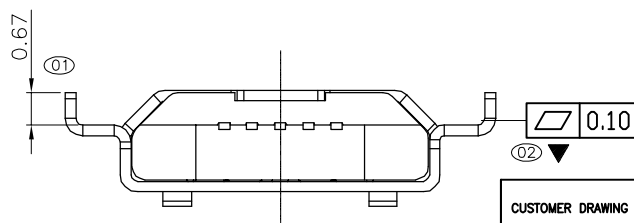
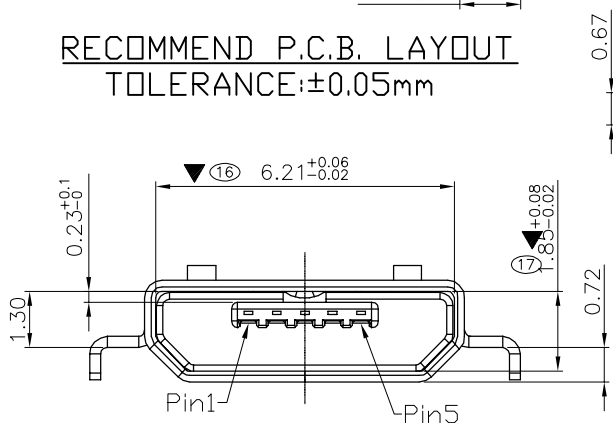
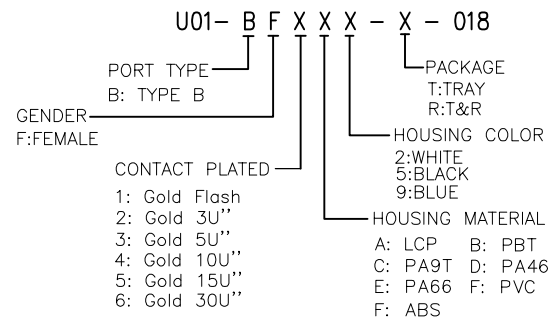
- 2.1 Current rating: 1 A Max.
- 2.2 Dielectric withstanding voltage: 100 V(ac) for 1 min.
- 2.3 Contact resistance: 30 MΩ Max.
- 2.4 Insulation resistance: 100 MΩ Min.
- 2.5 Total mating force: 3.57 Kgf Max.
- 2.6 Total unmating force: 1.0 Kgf Min.
- 2.7 Temperature range: -30°C~80°C



RECOMMEND P.C.B. LAYOUT  
TOLERANCE:±0.05mm



PART NO. INFORMATION



CUSTOMER DRAWING		TOLERANCES UNLESS OTHERWISE SPECIFIED:		Bestcreate Technology Limited	
		X. ± 0.15	.X ± 0.10		
QUALITY SYMBOLS		ANGULAR: ± 1'		CHECKED: C. W	DATE:
THIRD ANGLE PROJECTION				APPROVED: C. W	DATE:
THIS DRAWING CONTAINS INFORMATION THAT IS PROPRIETARY TO DONGGUAN BESTCREATE ELECTRONICS TECHNOLOGY CO., LTD. AND SHOULD NOT BE USED WITHOUT WRITTEN PERMISSION.				2015.04.02	
				MICRO USB 5P B TYPE母座沉板 0.75无卷边有孔	
				PART NO: U01-BF1A5R-018	SIZE: A4
				DWG NO: U01-BF1A5R-018	REV: A