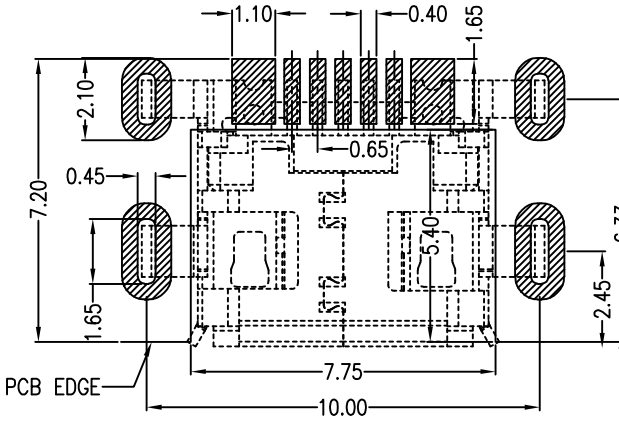
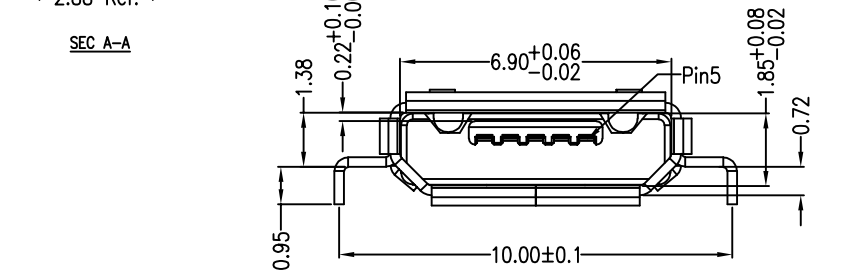
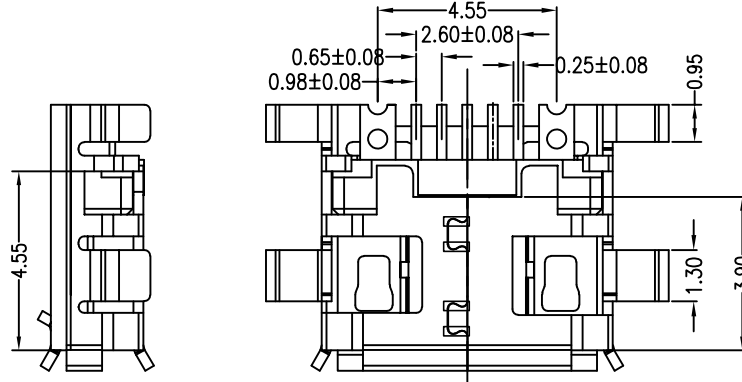
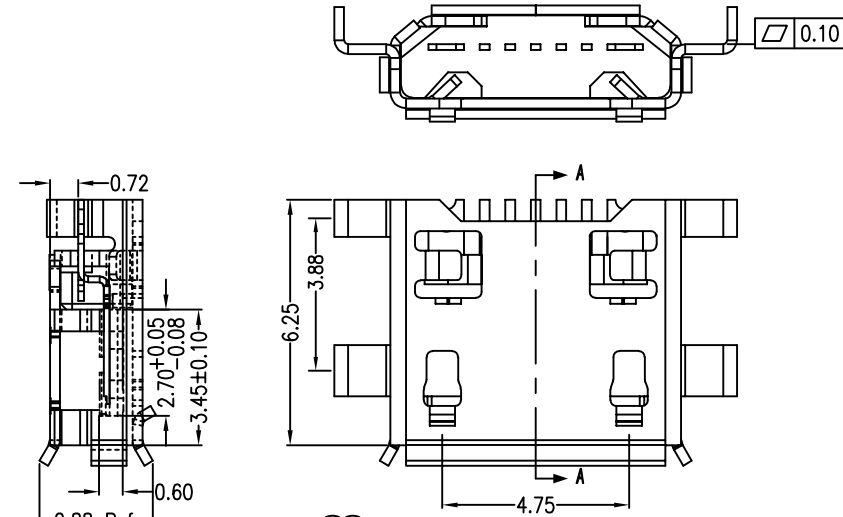


RoHS Compliant

REVISIONS			
REV.	DESCRIPTION	DATE	DESIGN



Note:

- Material:
 - Housing: High temperature thermoplastic with g.f,UL94v-0
 - Contact: copper alloy,t=0.15mm
 - Shell: copper or SUS304,t=0.25mm
- Specification:
 - Current rating:1,5PIN 1.8A Max/2,3,4PIN 1A Max.
 - Dielectric withstanding voltage: 100 V(ac) for 1 min.
 - Contact resistance: 30 mΩ Max.
 - Insulation resistance: 100 MΩ Min.
 - Total mating force: 3.57 Kgf Max.
 - Total unmating force: 1.0 Kgf Min.
 - Temperature range: -30°C~80°C

RECOMMENDED PCB LAYOUT
TOLERANCE:±0.03
PCB图仅供参考

PART NO. INFORMATION

U01-B F X X 5 R - 519

- PORT TYPE
B: TYPE B
- GENDER
F: FEMALE
M: MALE
- CONTACT PLATED
1: GOLD FLASH
2: GOLD 3U"
3: GOLD 5U"
4: GOLD 10U"
5: GOLD 15U"
6: GOLD 30U"
- PACKAGE
R: TAPE REEL
- HOUSING COLOR
2: WHITE
5: BLACK
9: NATURE
- HOUSING MATERIAL
A: LCP B: PBT
C: PA9T D: PA6T
E: PA46 F: PA66

Bestcreate Technology Limited

TOLERANCES UNLESS OTHERWISE SPECIFIED:			
.X	± 0.15	.X'	± 3'
.XX	± 0.10	.X''	± 2'
.XXX	± 0.05	.XXX'	± 1'
Website: www.bsc-elec.com			
E-mail: bestcreate@bsc-elec.com			

DESIGN: I. L	DATE: 2017/3/1
CHECKED: C. W	DATE: 2017/3/1
APPROVED: C. W	DATE: 2017/3/1

TITLE: Micro usb 5s B Type Smt (沉板式)四脚全插有接地片10.0版		
MATERIALA:	PART NO: U01-BFXX5R-519	SIZE: A4
FINSH:	DWG NO: U01-BFXX5R-519	SHEET: 1 OF 1

REV: A	UNIT mm	SCALE 1=1	QUALITY SYMBOLS
-----------	------------	--------------	-----------------