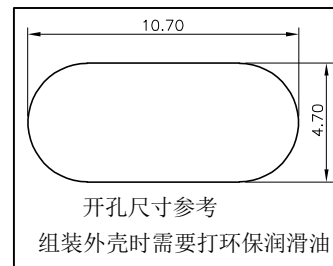
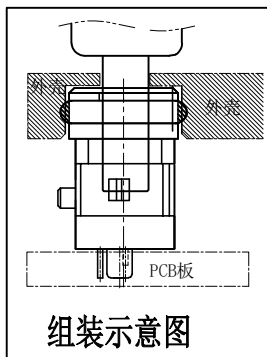
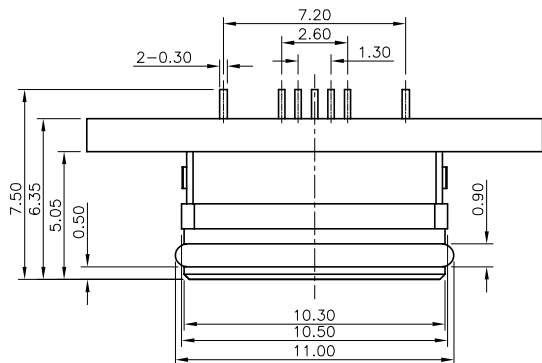


RoHS Compliant

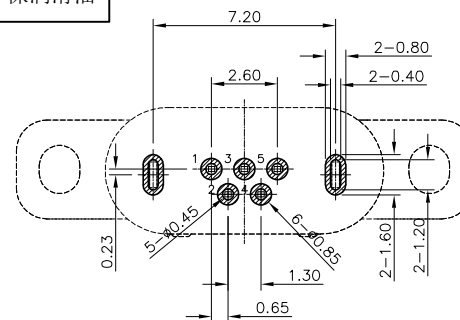
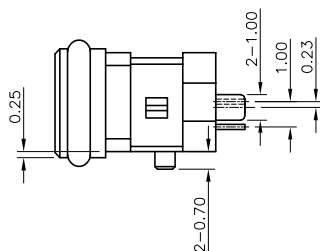
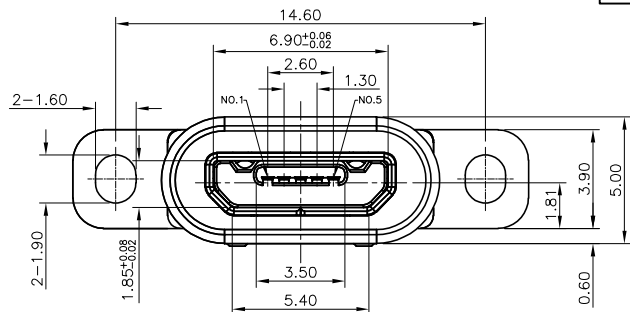
REVISIONS

REV.	DESCRIPTION	DATE	DESIGN

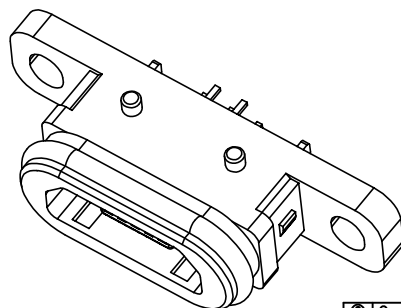
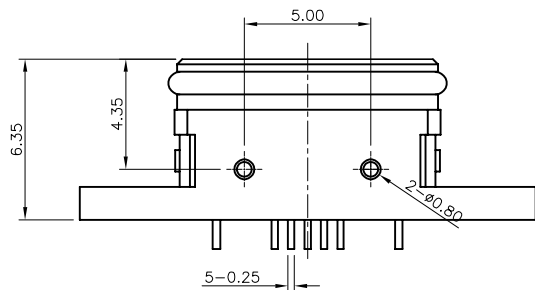


SPECIFICATIONS:

- ELECTRICAL CHARACTERISTICS:
 - RATING: 1.5A;
 - CONTACT RESISTANCE: 30 mΩ MAX.(INITIAL);
 - DIELECTRIC WITHSTANDING: 500V AC MIN.;
 - INSULATION RESISTANCE: 1000MΩ MIN.;
- DURABILITY: 5,000 CYCLES MIN.;
- INSERTION FORCE: 3.5KgF (35N) Max.;
- EXTRACTION FORCE: 0.8KgF (8N) Min.;
- WATER PROOFNESS: THIS PRODUCT IS BASED ON IPX8.
- PLUG INTERFACE DIMENSIONS COMFORM TO USB2.0 SPEC.
- PACKAGING: TAPE & REEL.



RECOMMENDED P.C.B. LAYOUT (TOP VIEW)
GENERAL TOLERANCE: ±0.05



Contact Number	Signal Name	Remarks
1#	VBUS	Power
2#	D-	Date-
3#	D+	Date+
4#	ID	Reserve or Gound
5#	GND	Gound

PART NO. INFORMATION

U01-B F X X 5 R - W030

PORT TYPE
B: TYPE B

GENDER
F: FEMALE
M: MALE

CONTACT PLATED
1: GOLD FLASH
2: GOLD 50"
3: GOLD 60"
4: GOLD 100"
5: GOLD 150"
6: GOLD 300"

PACKAGE
R: TAPE REEL

HOUSING COLOR
2: WHITE
5: BLACK
9: NATURE

HOUSING MATERIAL
A: LCP B: PBT
C: PA9T D: PA6T
E: PA46 F: PA66

NO.	DESCRIPTION	QTY	MATERIAL	REMARK
⑥	Oval ring	1	Rubber	Black
⑤	Glue	1	-----	Black
④	Inner shell	1	Copper alloy or stainless	Nickel plated
③	Terminal	5	Copper alloy, 0.15t	Gold Plated On Contact Area.
②	Outer shell	1	High temperature thermoplastic	Black
①	Body	1	High temperature thermoplastic	Black

Bestcreate Technology Limited

TOLERANCES UNLESS OTHERWISE SPECIFIED:

X.	± 0.20	X.*	± 2'
.X	± 0.15	.X*	± 1'
.XX	± 0.10	.XX*	± 0.5'

Website: www.bsc-elec.com
E-mail: bestcreate@bsc-elec.com

DESIGN: I.L
DATE: 2017/3/1

CHECKED: C.W
DATE: 2017/3/1

APPROVED: C.W
DATE: 2017/3/1

TITLE: IPX8 WATERPROOF MICRO USB 2.0 5P B FEMALE CONNECTOR WITH SCREW

MATERILA: PART NO: U01-BFX5R-W030 SIZE: A4

FINSH: DWG NO: U01-BFX5R-W030 SHEET: 1 OF 1

REV: A UNIT mm SCALE 1=1 QUALITY SYMBOLS