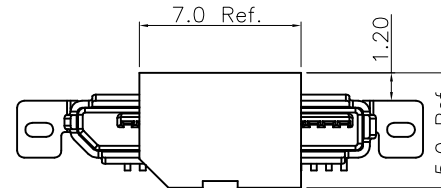
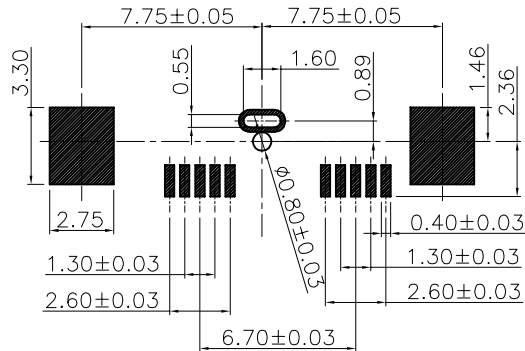
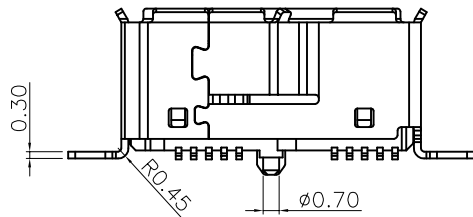
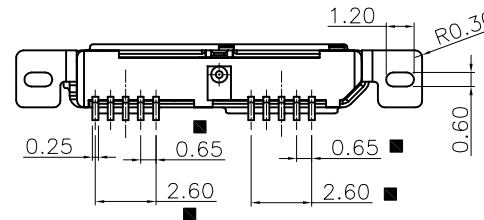
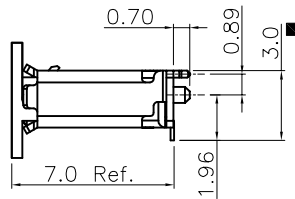
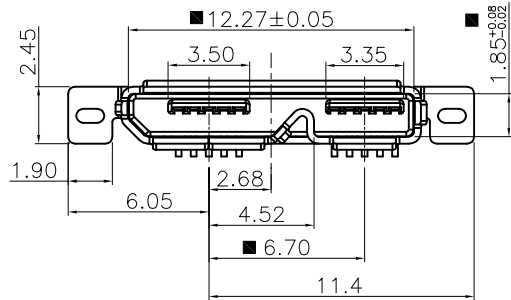
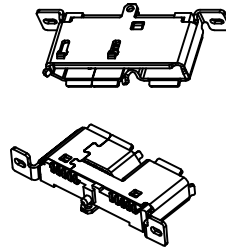
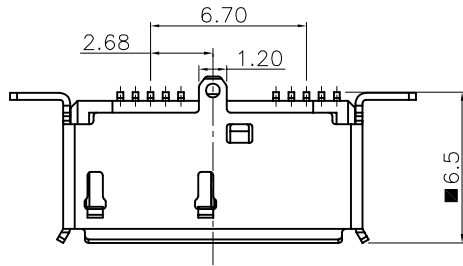


**RoHS Compliant**

- Notes:
- Material:
    - Housing: LCP UL94V-0
    - Terminal: Copper Alloy 1~30u"Min. Gold on mating area. 100u"Min. Tin on the tails.
  - Shell: SUS304 100u"Min. Tin Plate over 50u"Nickel
  - Electrical Characteristics:
    - Contact Current Rating: 1.5A MAX
    - Contact Resistance: 30mΩ MAX
    - Insulation Resistance: 100MΩ MIN
    - Dielectric Withstanding Voltage: 100V AC R. M. S.
    - Operating Temperature: -30℃~+85℃
  - Mechanical Characteristics:
    - Mating Force: 3.5kgf MAX
    - Unmating Force: 1.00kgf MIN
    - Durability: 10000Cycles
  - QC Dimension Check:
    - Critical    ☒ Major    □ Minor



**PART NO. INFORMATION**

A30-0615-X12

SERIES CODE — FEMALE — 5:BLACK — FORLLow No.

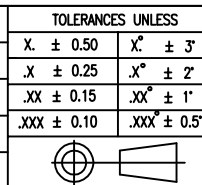
— TAPE REEL PACKAGE — RoHS

1:G/F    4:Gold 10u"  
 2:Gold 3u"    5:Gold 15u"  
 3:Gold 5u"    6:Gold 30u"

**RECOMMENDED P.C.B LAYOUT**

ECN. NO	REV	DATE	DESCRIPTION	CHANGED	APPROVED
—	A	13.3.15	RELEASE		

▼ = Places	TOLERANCES UNLESS	
DIM NO. Ⓢ	X. ± 0.50	X.° ± 3'
SCALE: 1:1	.X ± 0.25	.X° ± 2'
SHEET: 1 OF 1	.XX ± 0.15	.XX° ± 1'
UNIT: mm	.XXX ± 0.10	.XXX° ± 0.5'



DESIGN: Elisa		DATE:		MICRO USB 3.0 B/F SMT 直立式 (带帽子)	
APPROVED:		DATE:		PART NO: A30-0615-X12	SIZE: A4
DWG NO: A30-0615-X12		REV: A			