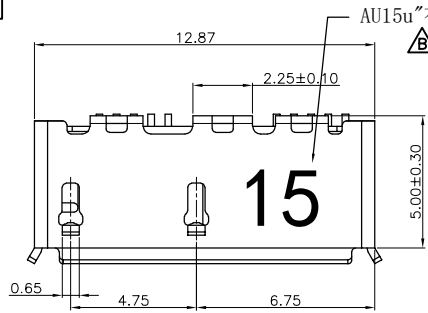
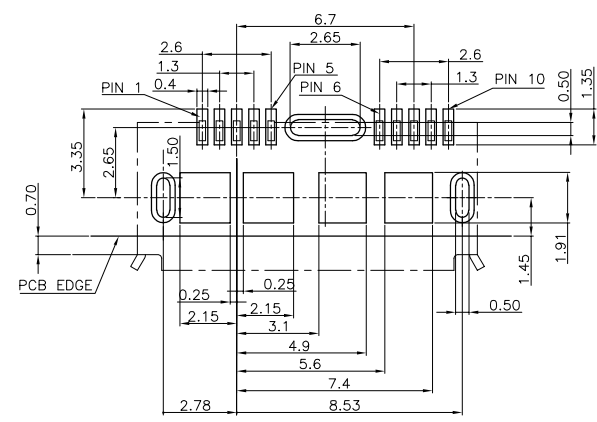
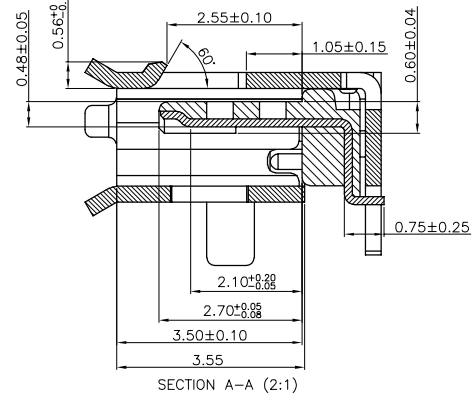


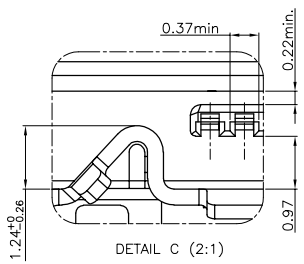
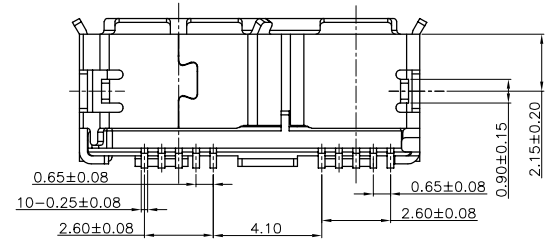
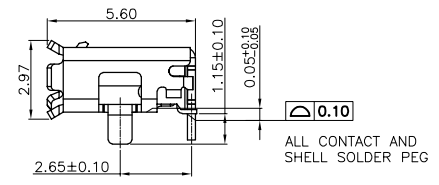
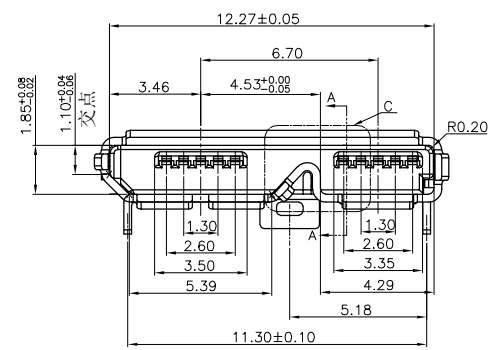
RoHS Compliant



AU15u"有喷字, AU1u"无喷字



RECOMMENDED P.C.B LAYOUT



- 备注:
1. 材质:
 - 1.1 胶芯: LCP UL94V-0
 - 1.2 端子: C2680R-H, T=0.15
接触区镍底, 镀半金, 焊线区镍底, 镀锡
 - 1.3 外壳: SUS304 镀镍 T=0.3
 2. 主要特性:
 - 2.1 额定电流: 1.5A
 - 2.2 接触阻抗: 30mΩ MAX
 - 2.3 绝缘阻抗: 100MΩ MIN
 - 2.4 耐压测试: 100V AC
 - 2.5 沾锡性: 温度245+/-5℃, 时间3-5S
 - 2.6 整体插入力: 3.5kgf MAX
整体拔出力: 1.00kgf MIN
 - 2.7 使用寿命: 10000次
 - 2.8 耐温性: IR 炉测试: 260+/-10℃
 - 2.9 工作温度: -20℃~+60℃

PART NO. INFORMATION

U04-B F X X 5 R - 007

PORT TYPE	B: TYPE B	PACKAGE	R: TAPE REEL
GENDER	F: FEMALE	HOUSING COLOR	2: WHITE
	M: MALE	5: BLACK	9: NATURE
		HOUSING MATERIAL	A: LCP B: PBT
			C: PA9T D: PA6T
			E: PA46 F: PA66

3	SHELL	1	SUS304	SEE NOTE
2	TERMINAL	10	C2680-H	SEE NOTE
1	Molding-ASSY	1	LCP	UL94V-0; COLOR:BLACK
NO.	TITLE	Q'TY	MATERIAL	REMARK

<h1>Bestcreate Technology Limited</h1>		TOLERANCES UNLESS OTHERWISE SPECIFIED:		DESIGN:	DATE:	TITLE:		
		X. ± 0.50	X.' ± 3'	I. L	2017. 3. 1			
Website: www.bsc-elec.com Email: bestcreate@bsc-elec.com		.X ± 0.25	.X' ± 2'	CHECKED:	DATE:	MICRO USB 3.0 B/F SMT		
		.XX ± 0.15	.XX' ± 1'	C. W	2017. 3. 1			
REV:	UNIT	SCALE	QUALITY SYMBOLS	APPROVED:	DATE:	MATERIAL:	PART NO:	SIZE:
A	mm	1=1	☉ ☐	C. W	2017. 3. 1		U04-BFXX5R-007	A4
						FINISH:	DWG NO:	
						U04-BFXX5R-007		