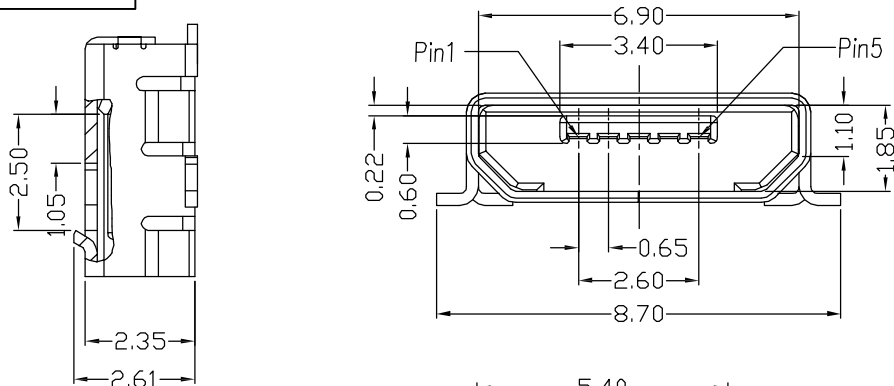


RoHS Compliant



Notes:

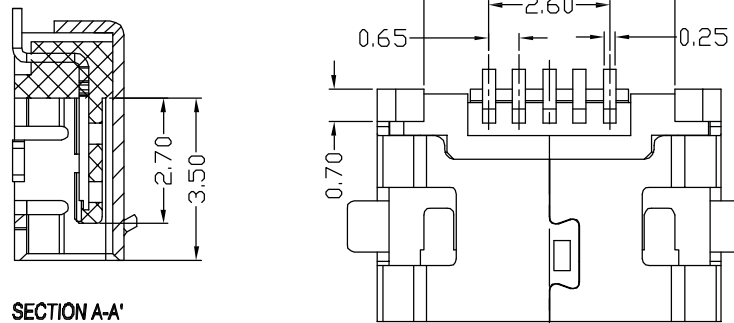
1. Materials:
  - 1.1 Housing: High temperature thermoplastic with g.f,UL94 v-0.
  - 1.2 Contact: copper alloy,t=0.20mm.
  - 1.3 Shell: copper alloy,t=0.25mm.
2. Specifications:
  - 2.1. Current rating: 1 A Max.
  - 2.2. Dielectric withstanding: voltage: 100 V(ac) for 1 min.
  - 2.3. Contact resistance: 50 mW Max.
  - 2.4. Insulation resistance: 100 MW Min.
  - 2.5. Total mating force: 3.57 Kgf Max.
  - 2.6. Total unmating force: 1.0 Kgf Min.0.81~2.05 Kgf Min.after 10000 insertion/extraction cycles
  - 2.7. Temperature range: -30°C~+80°C

A

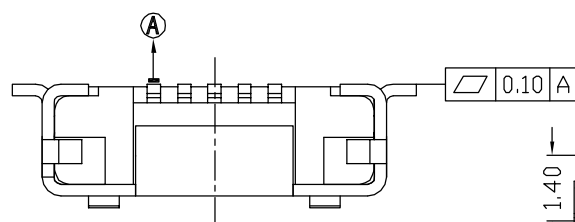
A

B

B

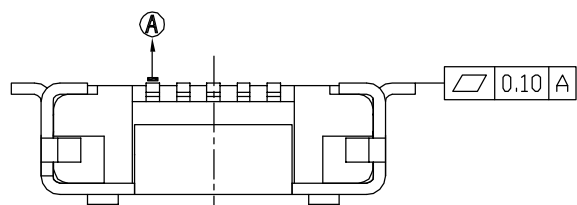


SECTION A-A'



C

C



PART NO. INFORMATION

U01- B F X X X - X - 011

GENDER  
F:FEMALE

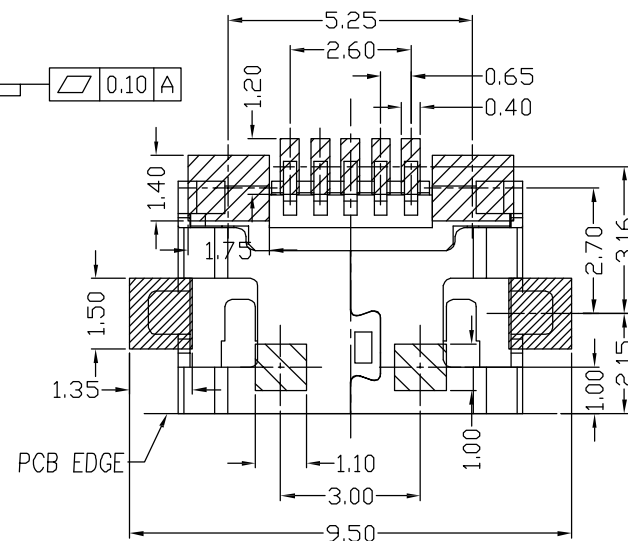
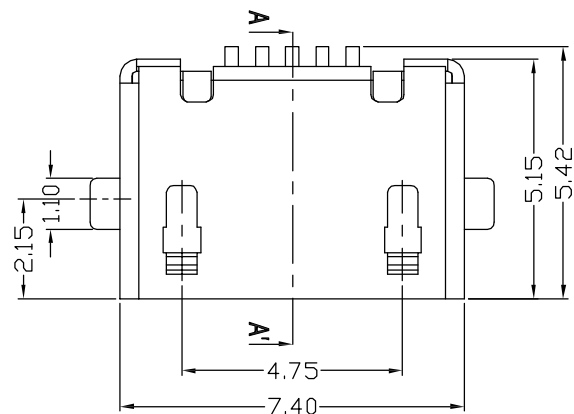
PORT TYPE  
B: TYPE B

CONTACT PLATED  
1: Gold Flash  
2: Gold 3U''  
3: Gold 5U''  
4: Gold 10U''  
5: Gold 15U''  
6: Gold 30U''

PACKAGE  
T:TRAY  
R:T&R

HOUSING COLOR  
2:WHITE  
5:BLACK  
9:BLUE

HOUSING MATERIAL  
A: LCP B: PBT  
C: PA9T D: PA46  
E: PA66 F: PVC  
F: ABS



RECOMMENDED PCB LAYOUT

D

D

CUSTOMER DRAWING		TOLERANCES UNLESS OTHERWISE SPECIFIED:		Bestcreate Technology Limited	
		X. ± 0.15	.X ± 0.10		
QUALITY SYMBOLS		.XX ± 0.05		CHECKED: C.W	DATE:
THIRD ANGLE PROJECTION		ANGULAR: ± 1°		APPROVED: C.W	DATE: 2015.04.02
THIS DRAWING CONTAINS INFORMATION THAT IS PROPRIETARY TO DONGGUAN BESTCREATE ELECTRONICS TECHNOLOGY CO., LTD. AND SHOULD NOT BE USED WITHOUT WRITTEN PERMISSION.				MICRO USB 2.0 BF 5P SMT外壳 加焊盘 脚长8.7无卷边	
				PART NO: U01-BF1A5R-011	SIZE: A4
				DWG NO: U01-BF1A5R-011	REV: A

1

2

3

4

5

6

7

8