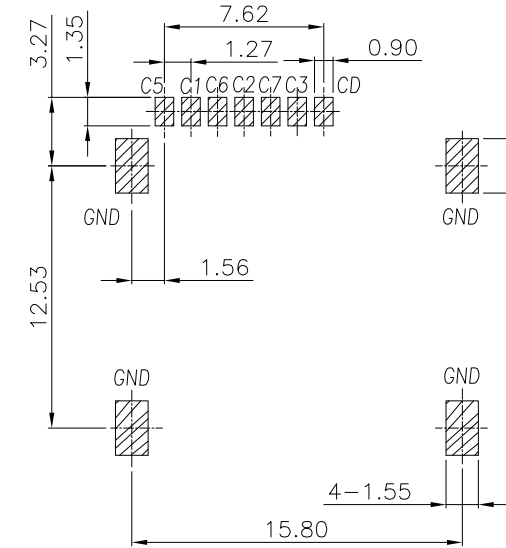
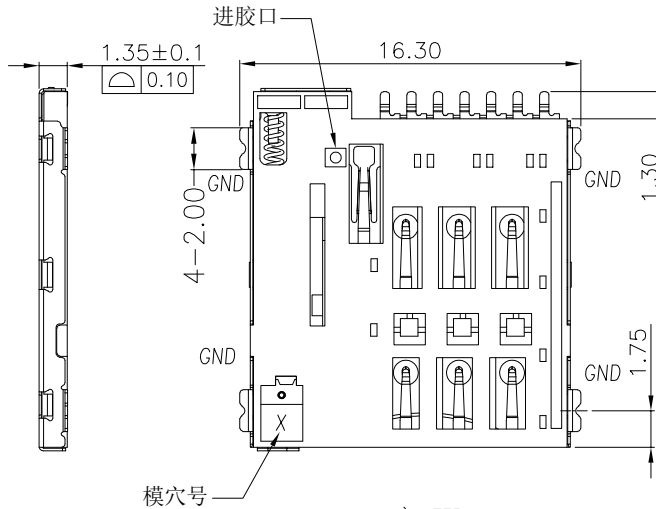
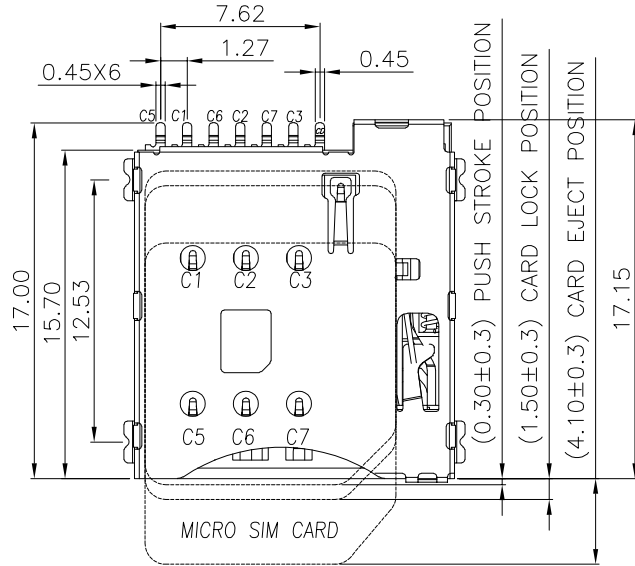


RoHS Compliant

REVISIONS			
REV.	DESCRIPTION	DATE	DESIGN



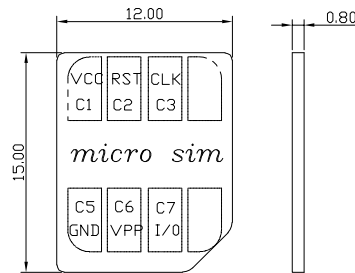
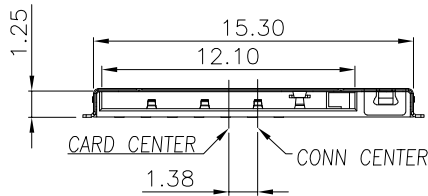
- MATERIAL:
 - HOUSING:LCP,UL94-V0,COLOR:BLACK
 - CONTACT:C5210R-H
 - SHELL:SUS304-H
- FINISH:
 - TERMINAL:30 u" Min.NICKEL PLATED OVERALL
 - CONTACT:GOLD FLASH PLATED ON CONTACT AREA; GOLD FLASH PLATED ON SOLDER TAILS;
- ELECTRICAL CHARACTERISTICS
 - RATING CURRENT : 0.5A MAX.
 - CONTACT RESISTANCE :30 mΩ MAX
 - DIELECTRIC WITHSTANDING : 500V AC MIN.
 - INSULATION RESISTANCE: 1000 MΩ MIN.
- MECHANICAL CHARACTERISTICS
 - MATING CYCLE :3000 CYCLES
 - Contact retention force: 50gf/pin Min.
- PART NO. INFORMATION

■ CIRCUT TRACE KEEP OUT AREA
 ▨ SMT SOLDER AREA
 THERE SHOULD NOT BE ANY CIRCUITRIES IN THE LAYOUT SPACE OF THE PRODUCTS.

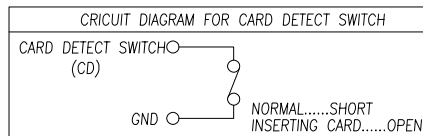
RECOMMENDED PCB LAYOUT
 GENERAL TOLERANCE ±0.05

MCSIM - 07 X X 5 R - 006

- 07:7P
- CONTACT PLATED:
 1: GOLD FLASH
 2: GOLD 3U"
 3: GOLD 5U"
 4: GOLD 10U"
 5: GOLD 15U"
 6: GOLD 30U"
- PACKAGE:
 R: TAPE REEL
- HOUSING COLOR:
 2: WHITE
 5: BLACK
 9: NATURE
- HOUSING MATERIAL:
 A: LCP B: PBT
 C: PA9T D: PA6T
 E: PA46 F: PA66



MICRO SIM CARD



SIM pin Assignment	
PIN#	Name
C1	VCC
C2	RST
C3	CLK
C5	GND
C6	VPP
C7	I/O

Bestcreate Technology Limited

REV: A	UNIT: mm	SCALE: 1=1	QUALITY SYMBOLS
--------	----------	------------	-----------------

TOLERANCES UNLESS OTHERWISE SPECIFIED:			
.X	± 0.35	X'	± 5'
.XX	± 0.25	.X'	± 2'
.XXX	± 0.15	.XX'	± 1'
Website:www.bsc-elec.com			
Email:bestcreate@bsc-elec.com			

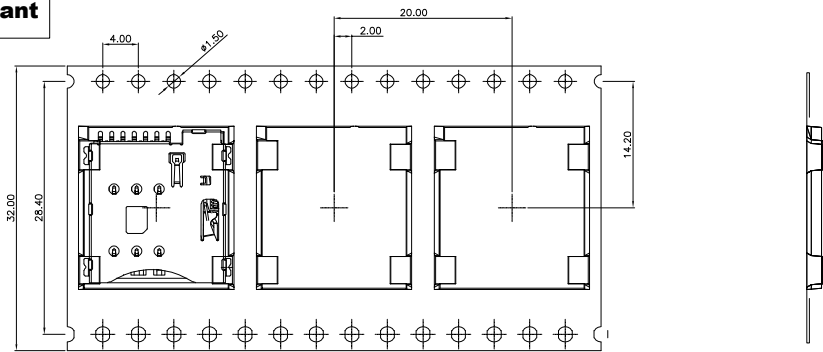
DESIGN: I.L	DATE: 2017.3.1
CHECKED: C.W	DATE: 2017.3.1
APPROVED: C.W	DATE: 2017.3.1

TITLE: MICRO SIM CARD PUSH PUSH 7PIN 1.35H WITH CD PIN		
MATERILA:	PART NO: MCSIM-07XX5R-006	SIZE: A4
FINSH:	DWG NO: MCSIM-07XX5R-006	1 OF 2

RoHS Compliant

REVISIONS			
REV.	DESCRIPTION	DATE	DESIGN

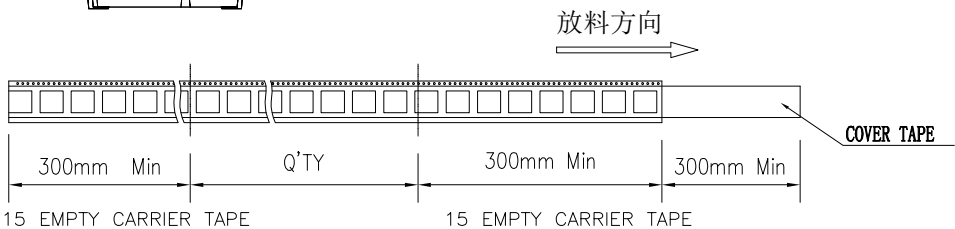
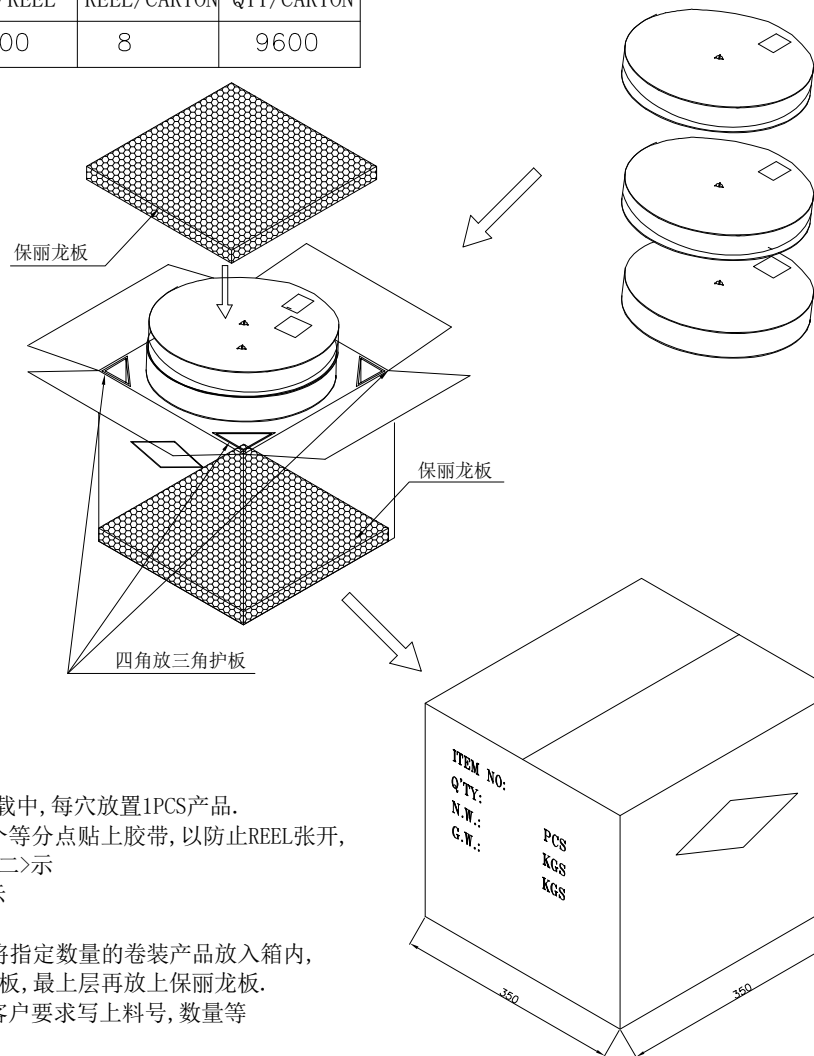
<图一>



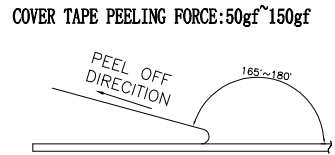
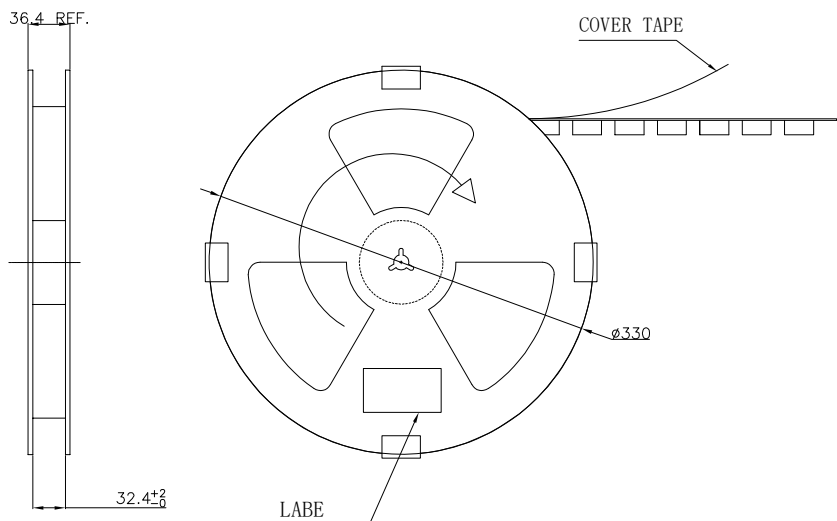
<TABLE 1> PACKAGING QUANTITY

QTY/REEL	REEL/CARTON	QTY/CARTON
1200	8	9600

<图三>



<图二>



NOTE:

- 依<图一>示放置产品于下载中, 每穴放置1PCS产品.
- 包装机包好后, 在REEL的个等分点贴上胶带, 以防止REEL张开, 每REEL贴1PCS标签, 如<图二>示
- 包装数量见如<TABLE 1>示
- 包装成箱见如<图三>示
箱底放保丽龙板, 再依次将指定数量的卷装产品放入箱内, 四角分别放入四个三角护板, 最上层再放上保丽龙板.
- 封箱, 在封好的纸箱上按客户要求写上料号, 数量等

Bestcreate Technology Limited

TOLERANCES UNLESS OTHERWISE SPECIFIED:			
.X	± 0.35	X'	± 5'
.XX	± 0.25	.X'	± 2'
.XXX	± 0.15	.XX'	± 1'
Website: www.bsc-elec.com			
Email: bestcreate@bsc-elec.com			

DESIGN:	DATE:
I. L	2017. 3. 1
CHECKED:	DATE:
C. W	2017. 3. 1
APPROVED:	DATE:
C. W	2017. 3. 1

TITLE: MICRO SIM CARD PUSH PUSH 7PIN 1.35H WITH CD PIN		
MATERILA:	PART NO:	SIZE:
FINSH:	DWG NO:	2 OF 2
	MCSIM-07XX5R-006	A4
	MCSIM-07XX5R-006	

REV: A	UNIT mm	SCALE 1=1	QUALITY SYMBOLS
--------	---------	-----------	-----------------