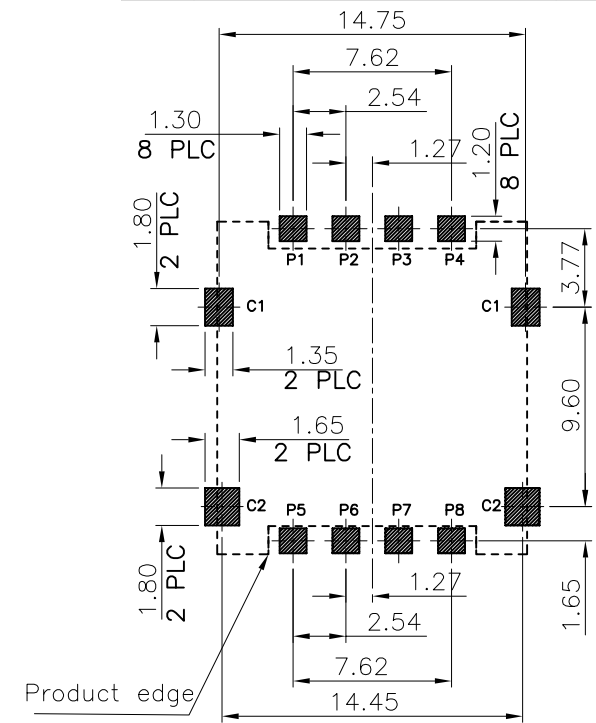
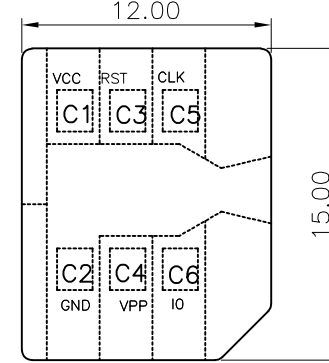
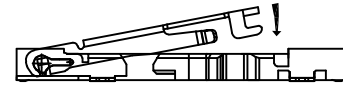
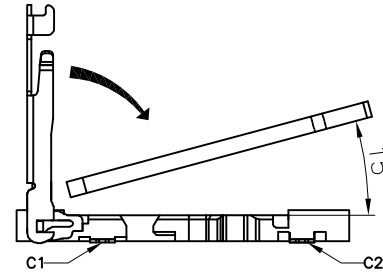
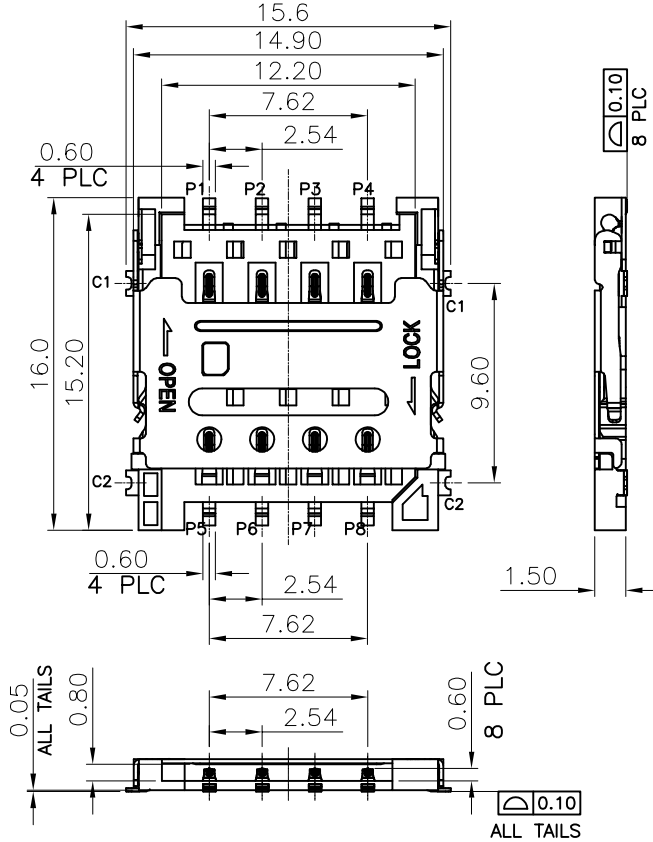


RoHS Compliant

REVISIONS			
REV.	DESCRIPTION	DATE	DESIGN



RECOMMENDED PCB LAYOUT(TOP VIEW)
GENERAL TOLERANCES:±0.05

- NOTES:
- MATERIAL:
HOUSING:HI-TEMP. PLASIC UL 94V-0
CONTACT:COPPER ALLOY
SHELL:STAINLESS STEEL
 - FINISH:
CONTACT:GOLD FLASH PLATED ON CONTACT AREA;
GOLD FLASH PLATED ON SOLDER TAILS,

PART NO.:
MCSIM -08 X X 5 R - 015

08:08P
CONTACT PLATED:
1: GOLD FLASH
2: GOLD 3U"
3: GOLD 5U"
4: GOLD 10U"
5: GOLD 15U"
6: GOLD 30U"

PACKAGE:
R: TAPE REEL

HOUSING COLOR:
2: WHITE
5: BLACK
9: NATURE

HOUSING MATERIAL:
A: LCP B: PBT
C: PA9T D: PA6T
E: PA46 F: PA66

MICRO SIM CARD	
PIN NO.	DESCRIPTION
P1	VCC
P2	RST
P3	CLK
P4	RESERVED
P5	GND
P6	VPP
P7	I/O
P8	RESERVED

TOLERANCES UNLESS OTHERWISE SPECIFIED:

Symbol	Value	Symbol	Value
.x	± 0.15	.X*	± 5'
.XX	± 0.25	.X*	± 2'
.XXX	± 0.15	.XX*	± 1'

Website:www.bsc-elec.com
Email:bestcreate@bsc-elec.com

DESIGN:	I.L	DATE:	2017.3.1
CHECKED:	C.W	DATE:	2017.3.1
APPROVED:	C.W	DATE:	2017.3.1

TITLE: MICRO SIM CARD 8PIN 1.5H (4X2 TYPE)		
MATERIAL:	PART NO: MCSIM-08XX5R-015	SIZE: A4
FINISH:	DWG NO: MCSIM-08XX5R-015	SHEET: 1 OF 2

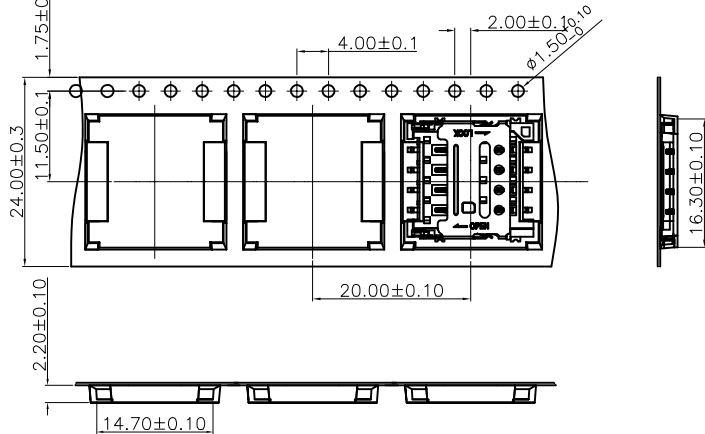
Bestcreate Technology Limited

REV: A	UNIT: mm	SCALE: 1=1	QUALITY SYMBOLS
--------	----------	------------	-----------------

RoHS Compliant

REVISIONS			
REV.	DESCRIPTION	DATE	DESIGN

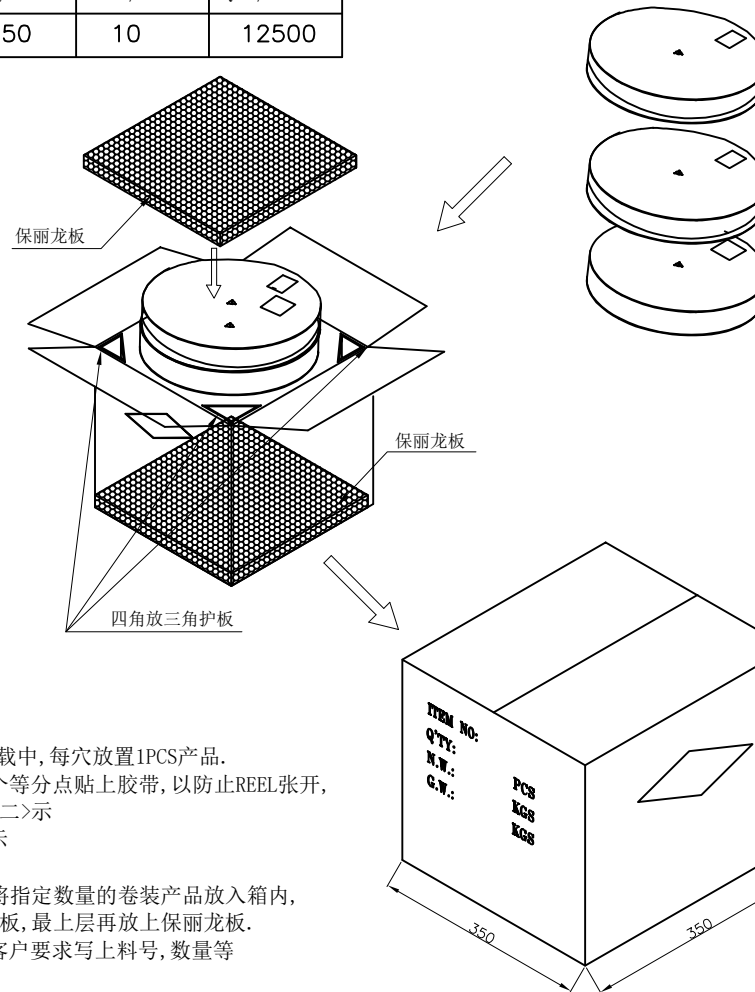
<图一>



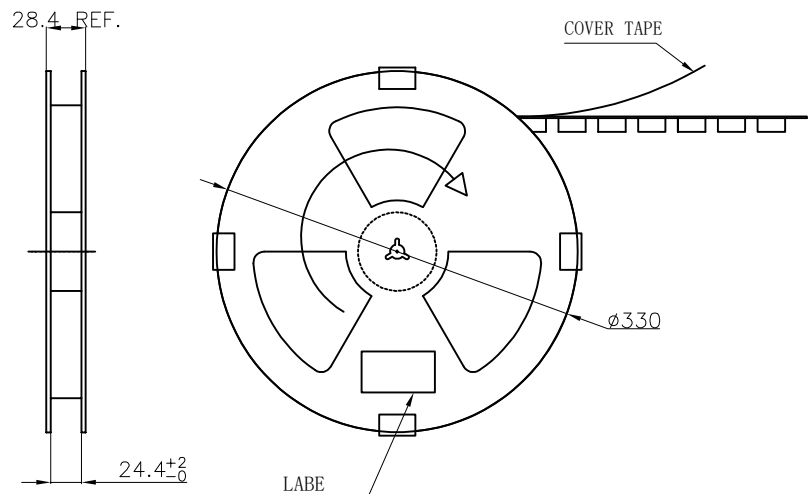
<TABLE 1> PACKAGING QUANTITY

QTY/REEL	REEL/CARTON	QTY/CARTON
1250	10	12500

<图三>

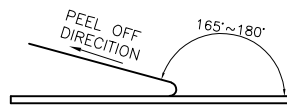


<图二>



放料方向

COVER TAPE PEELING FORCE: 50gf~150gf



NOTE:

- 依<图一>示放置产品于下载中, 每穴放置1PCS产品.
- 包装机包好后, 在REEL的个等分点贴上胶带, 以防止REEL张开, 每REEL贴1PCS标签, 如<图二>示
- 包装数量见如<TABLE 1>示
- 包装成箱见如<图三>示
箱底放保利龙板, 再依次将指定数量的卷装产品放入箱内, 四角分别放入四个三角护板, 最上层再放上保利龙板.
- 封箱, 在封好的纸箱上按客户要求写上料号, 数量等

Bestcreate Technology Limited

TOLERANCES UNLESS OTHERWISE SPECIFIED:

.X	±	0.35	X.*	±	5*
.XX	±	0.25	.X*	±	2*
.XXX	±	0.15	.XX*	±	1*

Website: www.bsc-elec.com
Email: bestcreate@bsc-elec.com

DESIGN: I.L DATE: 2017. 3. 1

CHECKED: C.W DATE: 2017. 3. 1

APPROVED: C.W DATE: 2017. 3. 1

TITLE: MICRO SIM CARD 8PIN 1.5H
(4X2 TYPE) 包装图

MATERIAL:	PART NO: MCSIM-08XX5R-015	SIZE: A4
FINISH:	DWG NO: MCSIM-08XX5R-015	SHEET: 2 OF 2

REV: A	UNIT: mm	SCALE: 1=1	QUALITY SYMBOLS
--------	----------	------------	-----------------