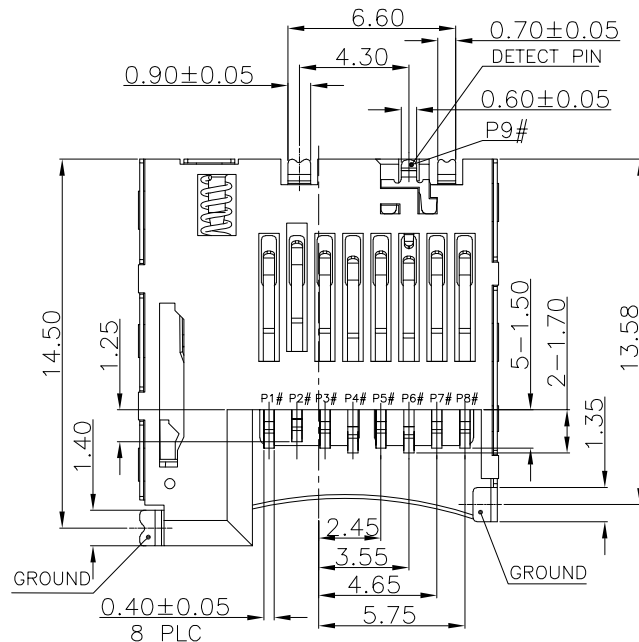
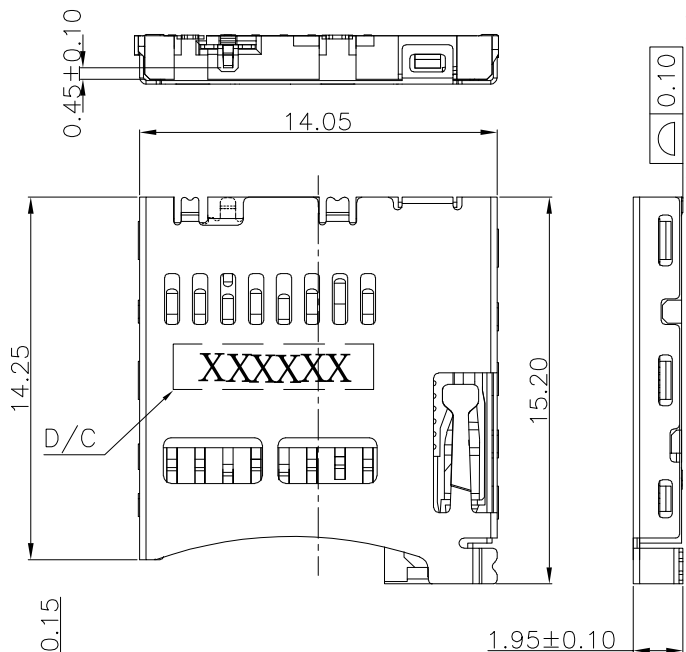
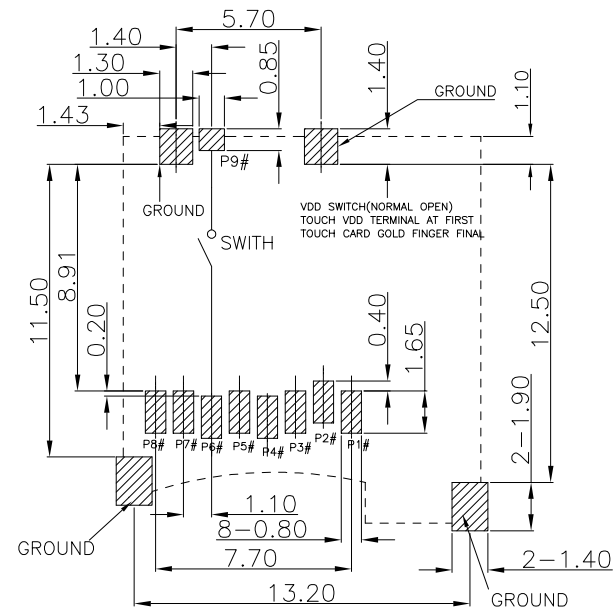


RoHS Compliant



REVISIONS			
REV.	DESCRIPTION	DATE	DESIGN



RECOMMEND PCB LAYOUT  
GENERAL TOLERANCE ±0.05

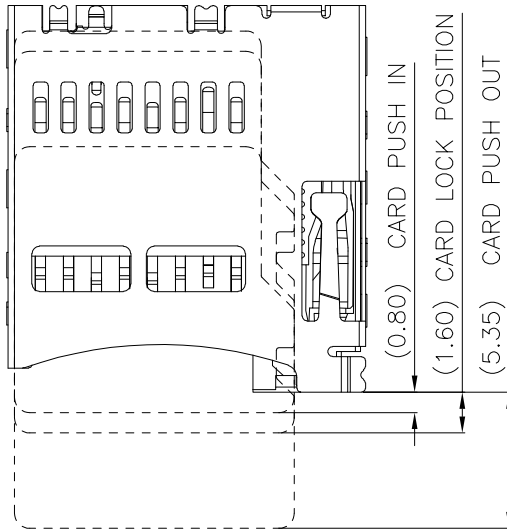
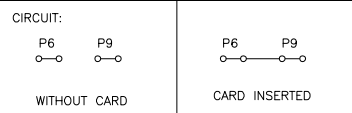
- 1) MATERIAL:  
 HOUSING : LCP S475, COLOR:BLACK UL 94-V0  
 CONTACT : C5210,T=0.15mm  
 SHELL : SUS304,T=0.15mm
- 2) FINISH :  
 CONTACT: Contact area: Au 1u" Min  
 Solder area: Au G/F,  
 Underplating: Ni overall 50u" Min
- SHELL: Underplating: Ni overall 50u" Min  
 Solder area: Au G/F,

PART NO. INFORMATION

**MSD - 08 X X 5 R - 002**

- 08:8P
- CONTACT PLATED  
 1: GOLD FLASH  
 2: GOLD 3U"  
 3: GOLD 5U"  
 4: GOLD 10U"  
 5: GOLD 15U"  
 6: GOLD 30U"
- PACKAGE  
 R: TAPE REEL
- HOUSING COLOR  
 2: WHITE  
 5: BLACK  
 9: NATURE
- HOUSING MATERIAL  
 A: LCP B: PBT  
 C: PA9T D: PA6T  
 E: PA46 F: PA66

Pin No.	MICRO SD
PIN1	DAT2 1P
PIN2	CD/DAT3 2P
PIN3	CMD 3P
PIN4	VDD 4P
PIN5	CLK 5P
PIN6	VSS 6P
PIN7	DAT0 7P
PIN8	DAT1 8P
PIN9	CARD DETECT



**Bestcreate Technology Limited**

TOLERANCES UNLESS OTHERWISE SPECIFIED:

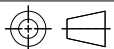
.X	± 0.35	X.'	± 5'
.XX	± 0.25	.X.'	± 2'
.XXX	± 0.15	.XX.'	± 1'

Website: www.bsc-elec.com  
 Email: bestcreate@bsc-elec.com

DESIGN:	DATE:
I. L	2017. 3. 1
CHECKED:	DATE:
C. W	2017. 3. 1
APPROVED:	DATE:
C. W	2017. 3. 1

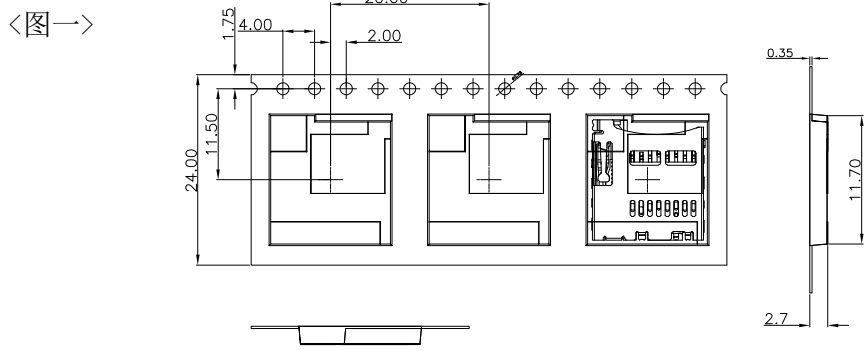
TITLE: MICRO SD PUSH CONN NORMAL OPEN		
MATERILA:	PART NO: MSD-08XX5R-002	SIZE: A4
FINSH:	DWG NO: MSD-08XX5R-002	1 OF 2

REV: A	UNIT mm	SCALE 1=1	QUALITY SYMBOLS
-----------	------------	--------------	-----------------



RoHS Compliant

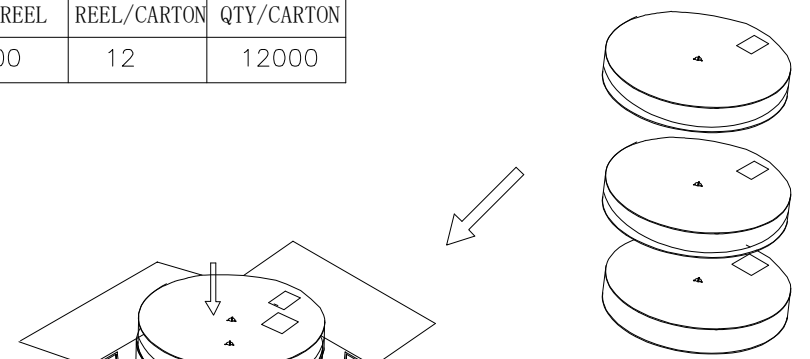
REVISIONS			
REV.	DESCRIPTION	DATE	DESIGN



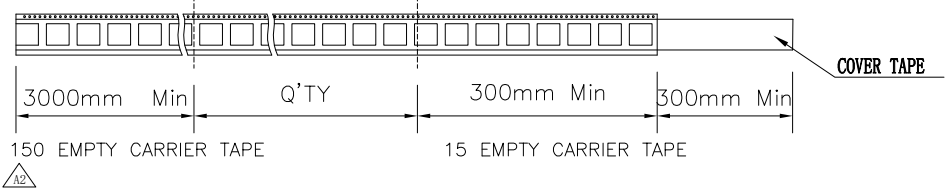
<TABLE 1> PACKAGING QUANTITY

QTY/REEL	REEL/CARTON	QTY/CARTON
1000	12	12000

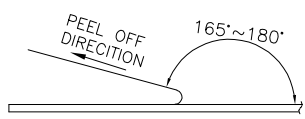
<图三>



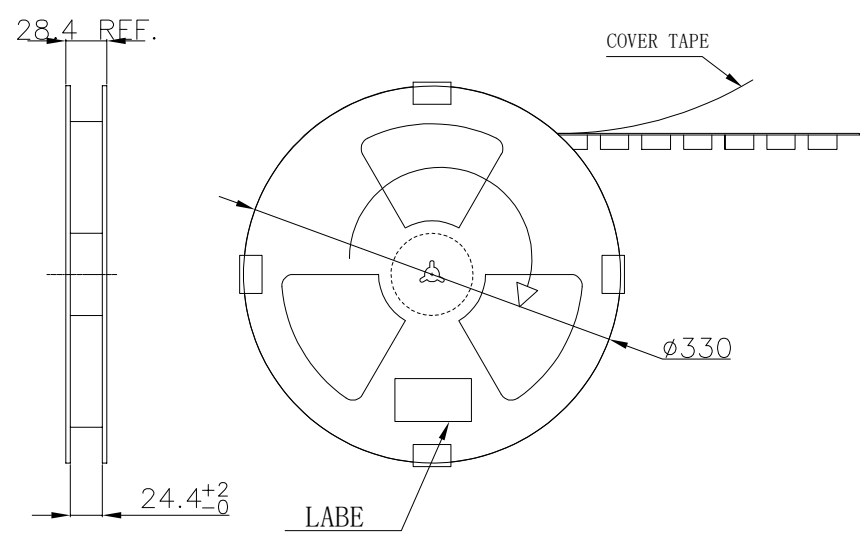
放料方向  
→



COVER TAPE PEELING FORCE: 20gf~120gf

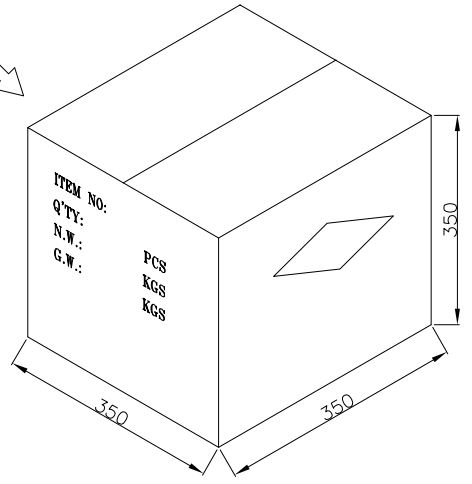


<图二>



NOTE:

1. 依<图一>示放置产品于下载中, 每穴放置1PCS产品.
2. 包装机包好后, 在REEL的个等分点贴上胶带, 以防止REEL张开, 每REEL贴1PCS标签, 如<图二>示
3. 包装数量见如<TABLE 1>示
4. 包装成箱见如<图三>示  
依次将指定数量的卷装产品放入箱内,  
四角分别放入四个三角护板, 最上层再放上保丽龙板.
5. 封箱, 在封好的纸箱上按客户要求写上料号, 数量等



**Bestcreate Technology Limited**

TOLERANCES UNLESS OTHERWISE SPECIFIED:

.X	± 0.35	X.	± 5'
.XX	± 0.25	.X'	± 2'
.XXX	± 0.15	.XX'	± 1'

Website: www.bsc-elec.com  
Email: bestcreate@bsc-elec.com

DESIGN:	DATE:
I. L	2017. 3. 1
CHECKED:	DATE:
C. W	2017. 3. 1
APPROVED:	DATE:
C. W	2017. 3. 1

TITLE: MICRO SD PUSH CONN NORMAL OPEN		
MATERILA:	PART NO:	SIZE:
	MSD-08XX5R-002	A4
FINSH:	DWG NO:	
	MSD-08XX5R-002	2 OF 2

REV: A	UNIT mm	SCALE 1=1	QUALITY SYMBOLS
--------	---------	-----------	-----------------