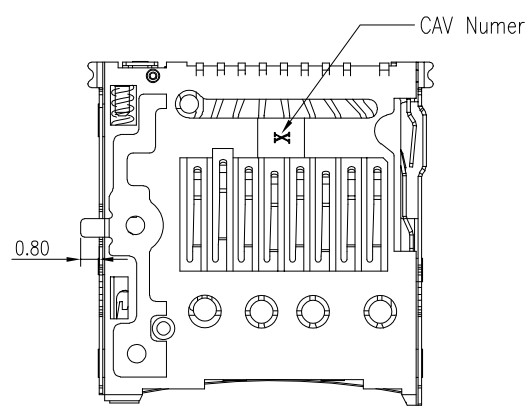
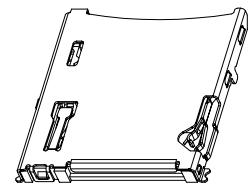
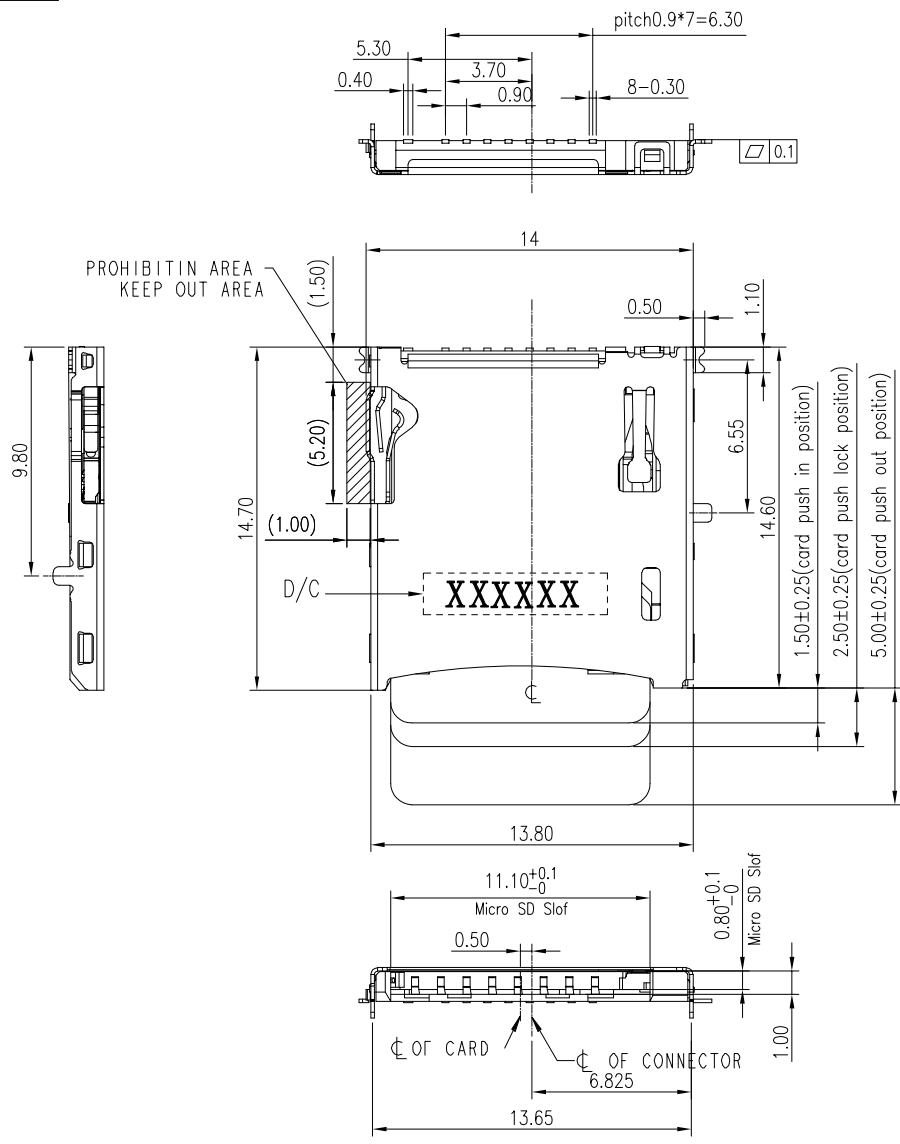


RoHS Compliant

REVISIONS			
REV.	DESCRIPTION	DATE	DESIGN

A
B
C
D

A
B
C
D



PART NO. INFORMATION

MSD - 10 X X 5 R - 011

- 10: 10P
- CONTACT PLATED
- 1: GOLD FLASH
- 2: GOLD 3U"
- 3: GOLD 5U"
- 4: GOLD 10U"
- 5: GOLD 15U"
- 6: GOLD 30U"
- PACKAGE
- R: TAPE REEL
- HOUSING COLOR
- 2: WHITE
- 5: BLACK
- 9: NATURE
- HOUSING MATERIAL
- A: LCP B: PBT
- C: PA9T D: PA6T
- E: PA46 F: PA66

Bestcreate Technology Limited

TOLERANCES UNLESS OTHERWISE SPECIFIED:

.X	± 0.35	X.*	± 5"
.XX	± 0.25	.X*	± 2"
.XXX	± 0.15	.XX*	± 1"

Website: www.bsc-elec.com
Email: bestcreate@bsc-elec.com

DESIGN:	DATE:
I. L	2017. 3. 1
CHECKED:	DATE:
C. W	2017. 3. 1
APPROVED:	DATE:
C. W	2017. 3. 1

TITLE:		
MICRO SD TOP CONTACT P/P 1.5H TYPE2		
MATERILA:	PART NO:	SIZE:
	MSD-10XX5R-011	A4
FINSH:	DWG NO:	SHEET:
	MSD-10XX5R-011	1 OF 3

REV:	UNIT	SCALE	QUALITY SYMBOLS
A	mm	1=1	

RoHS Compliant

REVISIONS			
REV.	DESCRIPTION	DATE	DESIGN

A

B

C

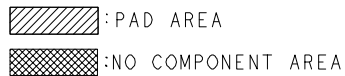
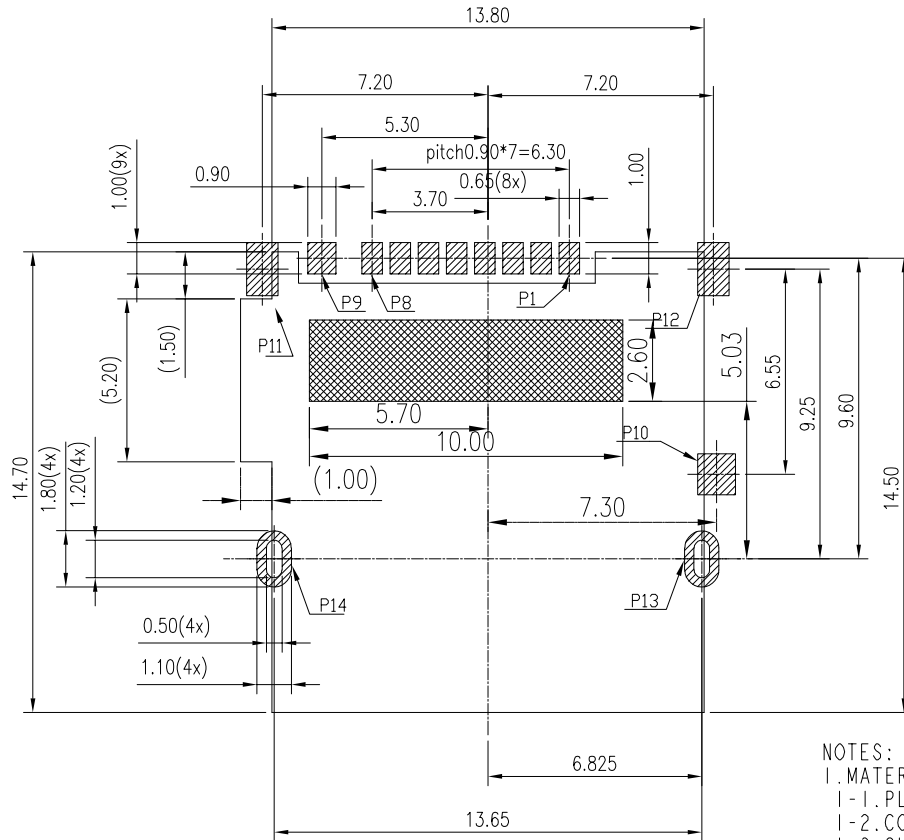
D

A

B

C

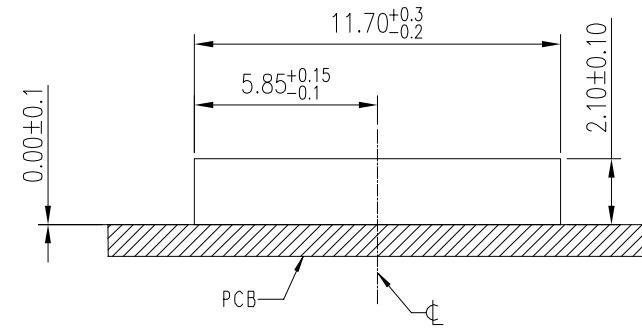
D



Recommended PCB LAYOUT
TOP VIEW(TOLERANCE±0.05)

NOTES:

- MATERIAL:
 - 1-1. PLASTIC: LCP THERMOPLASTIC UL 94V-0 COLOR: BLAC
 - 1-2. CONTACT: C5210R-SH T=0.15±0.01mm.
 - 1-3. SHELL: SUS304-H T=0.15±0.01mm.
 - 1-4. SPRING: SWP-B
- PLATING:
 - 2-1. CONTACT:
 - 2-1-1. CONTACT AREA: Au 1-30u" PLATING OVER Ni30u".
 - 2-1-2. SOLDER TAIL AREA: Au 1u" PLATING OVER Ni50u".
 - 2-2. SHELL:
 - 2-2-1. SOLDERABLE Ni50u" PLATING OVER ALL
- CONTACT AND TAIL COPLANARITY TO BE 0.10mm MAX
- RECOMMENDING A METAL MASK MORE THAN 0.15mm THICK, STENCILS AREA RELATIVE TO PAD AREA: LENGTH: 1.5 : 1 WIDTH: 1 : 1



Recommend ID Dimension

PIN ASSIGNMENT

Pin No.	PIN ASSIGNMENT
P1	MICRO_SD_DAT2
P2	MICRO_SD_CD/DA
P3	MICRO_SD_CMD
P4	MICRO_SD_VDD
P5	MICRO_SD_CLK
P6	MICRO_SD_VSS
P7	MICRO_SD_DAT0
P8	MICRO_SD_DAT1
P9	MICRO_SD_CD
P10	GND
P11	GND
P12	GND
P13	GND
P14	GND

Bestcreate Technology Limited

TOLERANCES UNLESS OTHERWISE SPECIFIED:

.X	± 0.35	X.*	± 5'
.XX	± 0.25	.X.*	± 2'
.XXX	± 0.15	.XX.*	± 1'

Website: www.bsc-elec.com
Email: bestcreate@bsc-elec.com

DESIGN: I.L
DATE: 2017.3.1

CHECKED: C.W
DATE: 2017.3.1

APPROVED: C.W
DATE: 2017.3.1

TITLE: MICRO SD TOP CONTACT P/P 1.5H TYPE2

MATERIAL:	PART NO: MSD-10XX5R-011	SIZE: A4
FINISH:	DWG NO: MSD-10XX5R-011	SHEET: 2 OF 3

REV: A	UNIT: mm	SCALE: 1=1	QUALITY SYMBOLS	
--------	----------	------------	-----------------	--

1

2

3

4

5

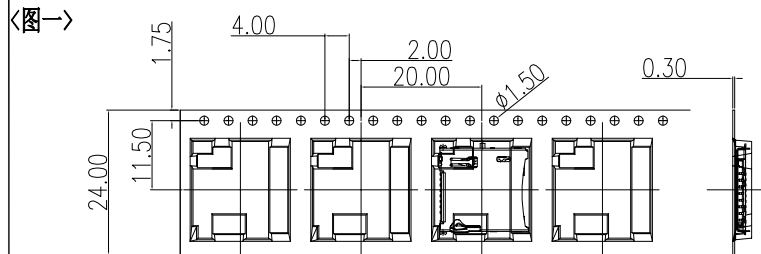
6

7

8

RoHS Compliant

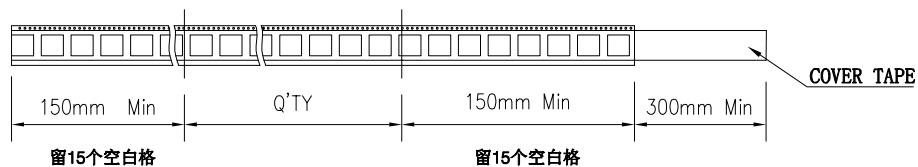
REVISIONS				
REV.	AO	DESCRIPTION	NEW	DATE
				2018.11.19
		DESIGN		



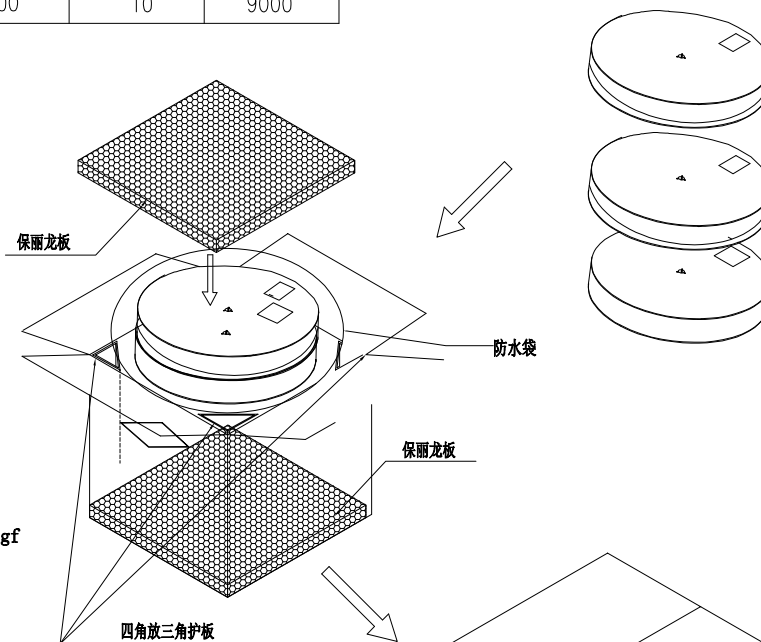
<TABLE 1> PACKAGING QUANTITY

QTY/REEL	REEL/CARTON	QTY/CARTON
900	10	9000

放料方向

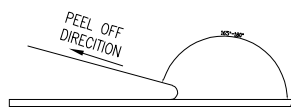


<图三>



<图二>

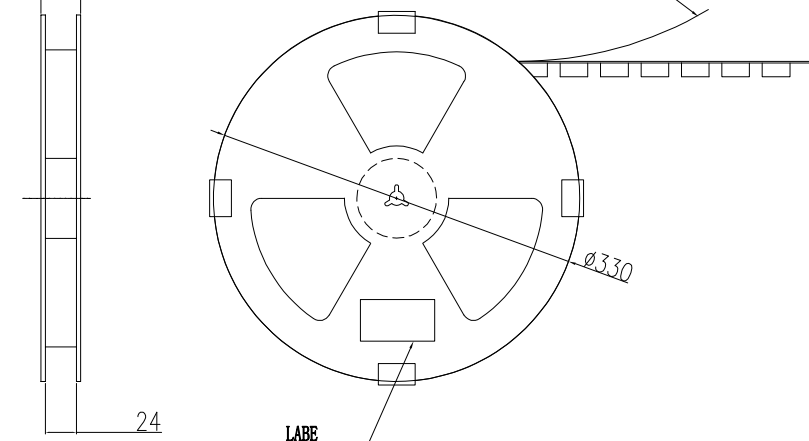
COVER TAPE PEELING FORCE: 20gf~100gf



NOTE:

- 依<图一>示放置产品于下载中, 每穴放置1PCS产品.
- 包装机包好后, 在REEL的个等分点贴上胶带, 以防止REEL张开, 每REEL贴1PCS标签, 如<图二>示
- 包装数量见如<TABLE 1>示
- 包装成箱见如<图三>示
箱底放保丽龙板, 再依次将指定数量的卷装产品用防水袋包好放入箱内, 四角分别放入四个三角护板, 最上层再放上保丽龙板.
- 封箱, 在封好的纸箱上按客户要求写上料号, 数量等

28.5 REF.



Bestcreate Technology Limited

TOLERANCES UNLESS OTHERWISE SPECIFIED:

ϕ	± 0.35	X.*	± 5*
.XX	± 0.25	.X*	± 2*
.XXX	± 0.15	.XX*	± 1*

Website: www.bsc-elec.com
Email: bestcreate@bsc-elec.com

DESIGN: DATE:

I. L 2017. 3. 1

CHECKED: DATE:

C. W 2017. 3. 1

APPROVED: DATE:

C. W 2017. 3. 1

TITLE: MICRO SD TOP CONTACT P/P 1.5H TYPE2

MATERILA: PART NO: MSD-10XX5R-011 SIZE: A4

FINSH: DWG NO: MSD-10XX5R-011 SHEET: 3 OF 3

REV: A UNIT mm SCALE 1=1 QUALITY SYMBOLS