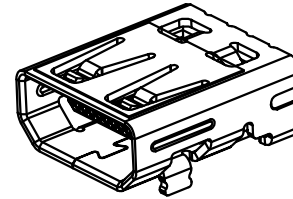
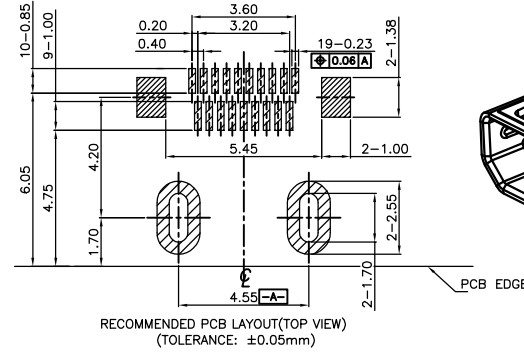
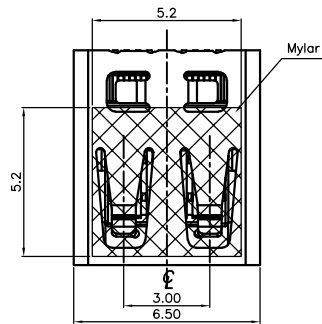


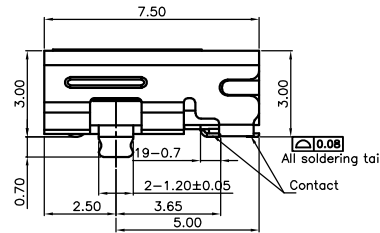
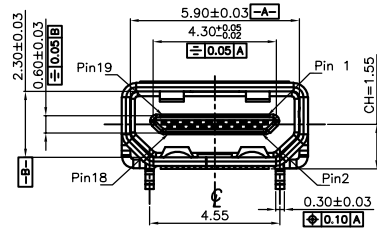
RoHS Compliant

REVISIONS			
REV.	DESCRIPTION	DATE	DESIGN



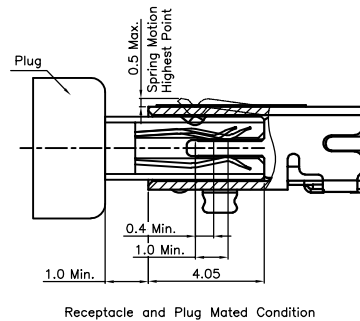
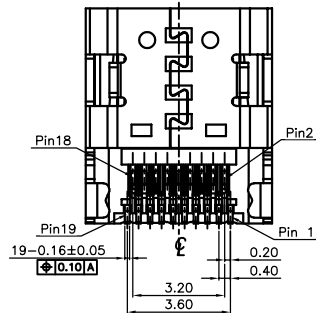
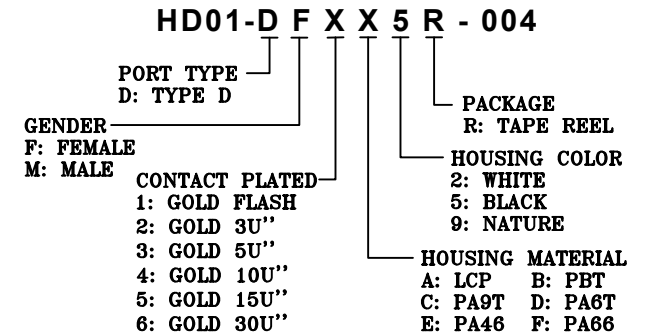
Notes:

- Materials
 - Housing: LCP+30% G/F, Black, UL94 V-0;
 - Contact: Phosphor Copper (C5191), Gold Plating at mating area, Matte Tin or Au Plating at solder tail, all over Nickel;
 - Shell: Phosphor Copper (C5191);
- Ratings
 - Current Rating: 0.3A ;
 - Operating Temperature: -40°C ~ 85°C;
- Electrical Requirement:
 - LLCR: Excluding Conductor Resistance 10mΩ Max.(Target design value), Contact: 30mΩ Max. changed (Final), Shell: 50mΩ Max. Changed (Final);
 - Dielectric Withstanding Voltage: 150V AC (RMS) for 1 minute (Mated), 250V AC (RMS) for 1 minute (Unmated);
 - Insulation Resistance: 10MΩ Min. @ 150V DC (Mated), 100MΩ Min. @ 500V DC (Unmated);
- Mechanical Performance:
 - Insertion force: 44.1N (4.5Kgf) Max.;
 - Withdrawal force: 4.9~25N (0.5~2.5Kgf);
 - Durability life: 5,000 Cycles;
- IR Reflow: the peak temperature on board shall be maintained for 10 seconds at 260±5°C.
- How to order:



PIN	Signal Assignment
1	Hot Plug Detect
2	Utility
3	TMDS Data2+
4	TMDS Data2 Shield
5	TMDS Data2-
6	TMDS Data1+
7	TMDS Data1 Shield
8	TMDS Data1-
9	TMDS Data0+
10	TMDS Data0 Shield
11	TMDS Data0-
12	TMDS Clock+
13	TMDS Clock Shield
14	TMDS Clock-
15	CEC
16	DDC/CEC Ground
17	SCL
18	SDA
19	+5V Power

PART NO. INFORMATION



Bestcreate Technology Limited

TOLERANCES UNLESS OTHERWISE SPECIFIED:

.X	± 0.20	X.*	± 3°
.XX	± 0.15	.X*	± 2°
.XXX	± 0.10	.XX*	± 1°

Tel/Whatsapp:0086-13712299763
Skype: belle.wu3340

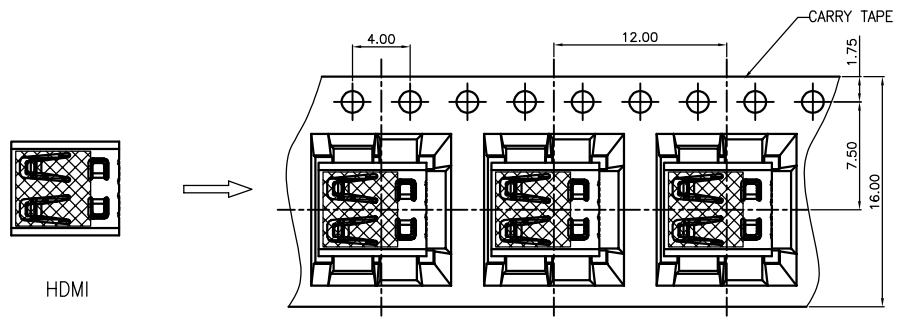
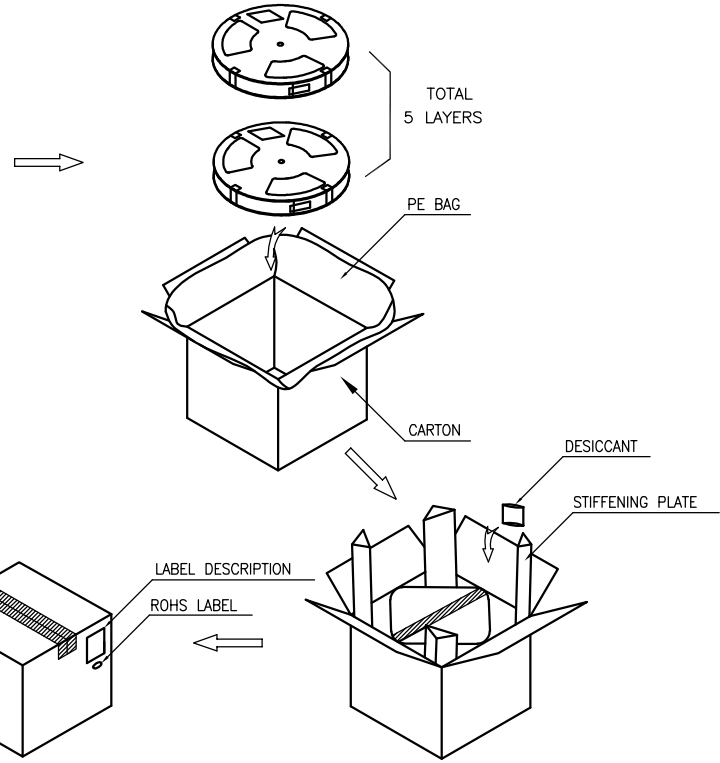
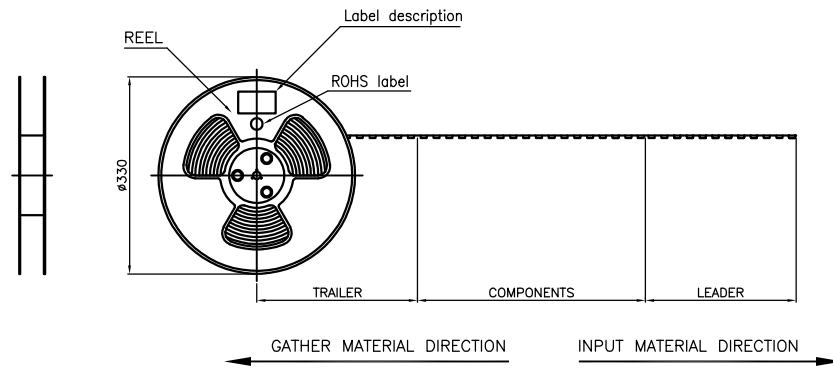
DESIGN:	I. L	DATE:	2017. 3. 1
CHECKED:	C. W	DATE:	2017. 3. 1
APPROVED:	C. W	DATE:	2017. 3. 1

TITLE: MICRO HDMI TYPE D 19PIN CONNECTOR, CH=1.55		
MATERILA:	PART NO: HD01-DFXX5R-004	SIZE: A4
FINSH:	DWG NO: HD01-DFXX5R-004	

REV: A	UNIT mm	SCALE 1=1	QUALITY SYMBOLS	
-----------	------------	--------------	--------------------	--

RoHS Compliant

REVISIONS			
REV.	DESCRIPTION	DATE	DESIGN



- Notes:
1. The start and end of each reel, based on the actual quantity, reserved 10--15pcs space;
 2. Peel off force of top tape: 10g~130g, peel deg.:165'~175'; peel speed: 250~300mm/min;
 3. Carton size: 350*350*130mm.
 4. QTY: 1000pcs/reel, 5reel/carton, total 5000pcs/carton;



Bestcreate Technology Limited

TOLERANCES UNLESS OTHERWISE SPECIFIED:

.X ± 0.20	X.* ± 3'
.XX ± 0.15	.X.* ± 2'
.XXX ± 0.10	.XX.* ± 1'

DESIGN: I. L DATE: 2017. 3. 1

CHECKED: C. W DATE: 2017. 3. 1

APPROVED: C. W DATE: 2017. 3. 1

TITLE: MICRO HDMI TYPE D 19PIN CONNECTOR, CH=1.55

MATERILA: PART NO: HD01-DFXX5R-004 SIZE: A4

FINSH: DWG NO: HD01-DFXX5R-004

Tel/Whatsapp:0086-13712299763
Skype: belle.wu3340

REV: A UNIT mm SCALE 1=1 QUALITY SYMBOLS