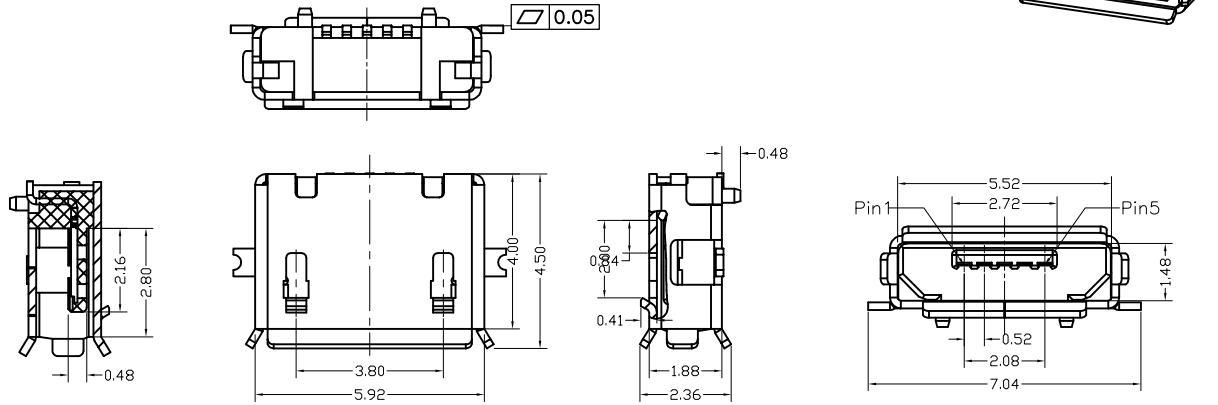
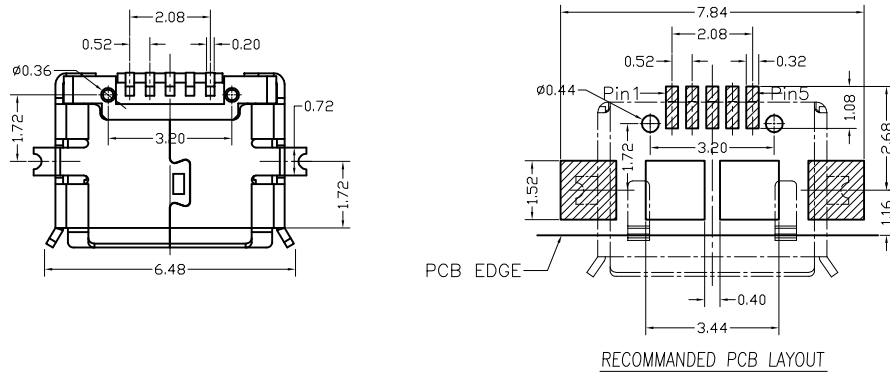


RoHS Compliant

REVISIONS			
REV.	DESCRIPTION	DATE	DESIGN



Note:
 1. Material:
 1.1 Housing: High temperature thermoplastic with g.f, LCP UL94v-0
 1.2 Contact: copper alloy C5191, t=0.20mm
 1.3 Shell: copper alloy C2680, t=0.25mm
 2. Specification:
 2.1 Current rating: 1 A Max.
 2.2 Dielectric withstanding voltage: 100 V(ac) for 1 min.
 2.3 Contact resistance: 50 mW Max.
 2.4 Insulation resistance: 100 MW Min.
 2.5 Total mating force: 3.57 Kgf Max.
 2.6 Total unmating force: 1.0 Kgf Min. 0.81-2.05 Kgf Min. after 10000 insertion/extraction cycles
 2.7 Temperature range: -30°C-80°C



PART NO. INFORMATION

U01-AB F X X 5 R - 903

PORT TYPE
 AB: TYPE AB
 PACKAGE
 R: TAPE REEL
 HOUSING COLOR
 2: WHITE
 5: BLACK
 9: NATURE
 HOUSING MATERIAL
 A: LCP B: PBT
 C: PA9T D: PA6T
 E: PA46 F: PA66
 CONTACT PLATED
 1: GOLD FLASH
 2: GOLD 3U"
 3: GOLD 5U"
 4: GOLD 10U"
 5: GOLD 15U"
 6: GOLD 30U"

Bestcreate Technology Limited

TOLERANCES UNLESS OTHERWISE SPECIFIED:

X.	± 0.30	X.*	± 3°
.X	± 0.25	.X.*	± 2°
.XX	± 0.20	.XX.*	± 1°

DESIGN: I. L
 DATE: 2017/3/1

CHECKED: C. W
 DATE: 2017/3/1

APPROVED: C. W
 DATE: 2017/3/1

TITLE: Micro USB 5P AB FEMALE CONNECTOR SMT

MATERIAL: PART NO: U01-ABFXX5R-903 SIZE: A4

FINISH: DWG NO: U01-ABFXX5R-903 SHEET: 1 OF 1

REV: A	UNIT mm	SCALE 1=1	QUALITY SYMBOLS
--------	---------	-----------	-----------------

Website: www.bsc-elec.com
 E-mail: bestcreate@bsc-elec.com