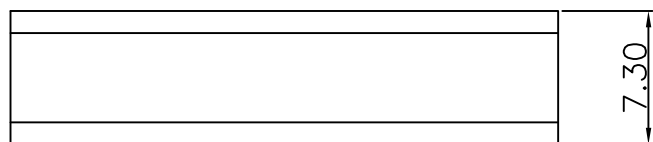
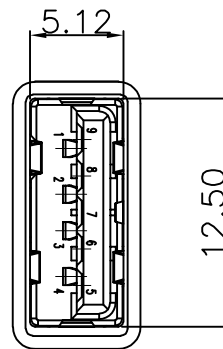
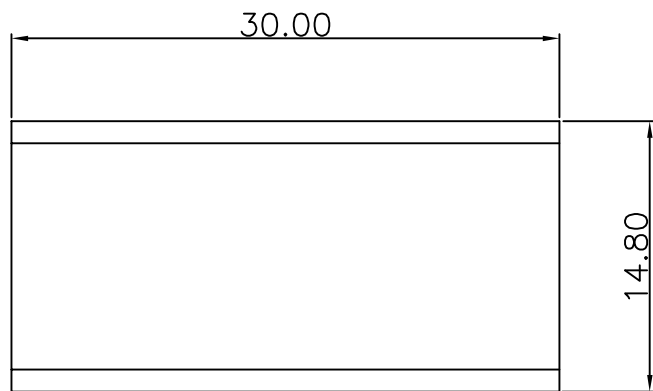
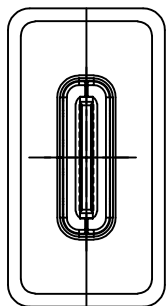


RoHS Compliant

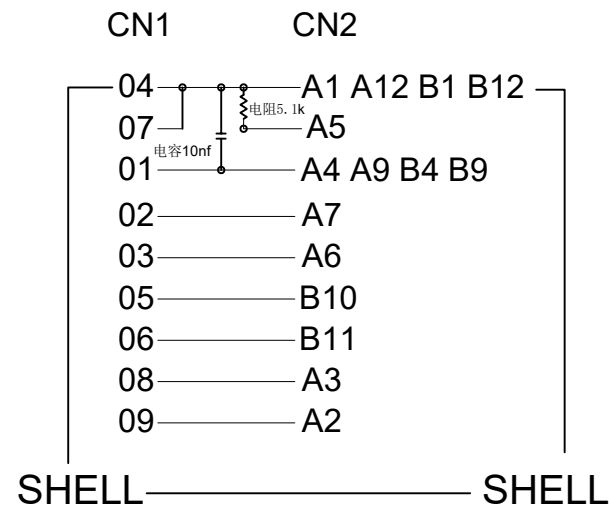
REVISIONS			
REV.	DESCRIPTION	DATE	DESIGN

NOTE:

- ELECTRICAL CHARACTERISTICS;
 - CONTACT RESISTANCE: 80mΩ Max
 - CONTACT CURRENT RATING: 1.5 A
 - DIELECTRIC WITHSTANDING VOLTAGE: 100 V R. M. S.
 - INSULATION RESISTANCE 100 MEGOHMS Min
 - OPERATING TEMPERATURE: -25° C ~ 75° C
- MECHANICAL CHARACTERISTICS;
 - MATING FORCE: USB CM 5~20N & USB3.0 AF 35N Max.
 - UNMATED FORCE: USB CM 8~20N & USB3.0 AF 10N Min.
- PLATING
 - TERMINAL CONTACT: (SEE TAB) GOLD PLATING
ALL OVER 50u"MIN NICKEL
 - SHELL: 50u"MIN. NICEL ALL OVER



PIN ASSIGNMENT



3	USB AF		USB3.0 AF Plastic cover 28*16.24*8.52mm,white&Black	1PCS
2	TYPE C		PVC 45P,COLOR: WHITE&Black	0.005KG
1	PCBA		USB3.0 AM TO TYPE CF R:5.1k C:10nF,nickel plated	1PCS
Item	Name	Part Number	Description	Q'TY

Bestcreate Technology Limited

TOLERANCES UNLESS OTHERWISE SPECIFIED:

X.	±	0.50	X'	±	5'
.X	±	0.30	.X'	±	2'
.XX	±	0.10	.XX'	±	1'

Website:www.bsc-elec.com
Email:bestcreate@bsc-elec.com

DESIGN: I.L. DATE: 2017.3.1
CHECKED: C.W. DATE: 2017.3.1
APPROVED: C.W. DATE: 2017.3.1

TITLE: USB3.1 CF TO USB3.0 AF ADAPTER METAL CASE, L=30MM

MATERILA: PART NO: AD31CF30AF-053 SIZE: A4

FINSH: DWG NO: AD31CF30AF-053

REV: A UNIT mm SCALE 1=1 QUALITY SYMBOLS

