

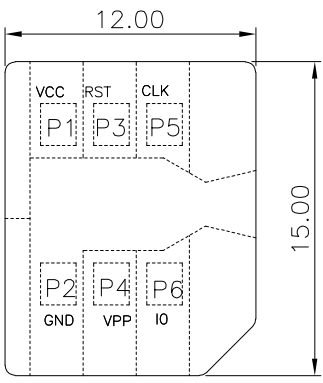
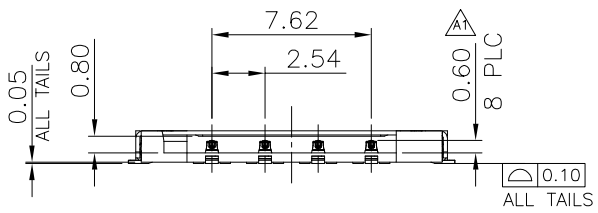
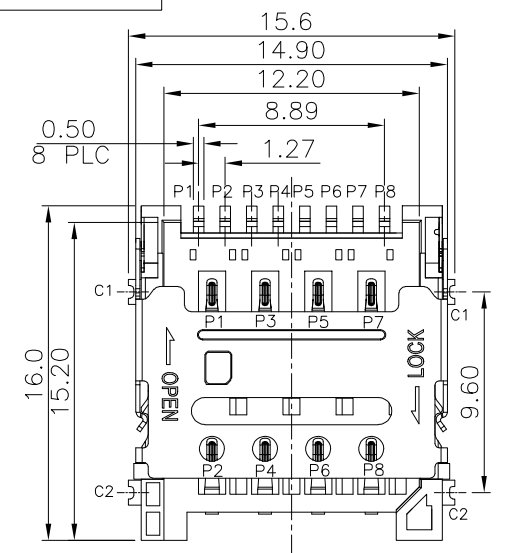
RoHS Compliant

NOTES:
 1) MATERIAL:
 HOUSING: LCP S475 UL 94V-0
 CONTACT: C5210-EH T=0.15mm
 SHELL: SUS201-H T=0.20mm
 2) FINISH:
 CONTACT: GOLD FLASH PLATED ON CONTACT AREA 1~5u"Min ;
 GOLD FLASH PLATING ON SOLDER TAILS 1u"Min,
 WITH ENTIRE CONTACT UNDERPLATED NICKEL 30u"Min
 SHELL: NICKEL UNDERPLATED OVERALL 50u"Min,
 3) MECHANICAL CHARACTERISTICS
 CONTACT RETENTION: 50gf/pin Min
 MATING CYCLE: 3000 CYCLES
 4) ELECTRICAL CHARACTERISTICS
 RATING CURRENT: 1A
 RATING VOLTAGE: 30V
 CONTACT RESISTANCE: 50 MILLOHMS OHMS MAX
 INSULATION RESISTANCE:
 a. UNMATED: 1000M OHMS MIN
 b. MATED: 100M OHMS MIN
 DIELECTRIC WITHSTANDING VOLTAGE:
 500V AC/1MINUTE
 OPERATING TEMPERATURE: -25° C--+70° C
 STORAGE TEMPERATURE: -10° C--+40° C

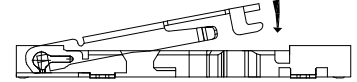
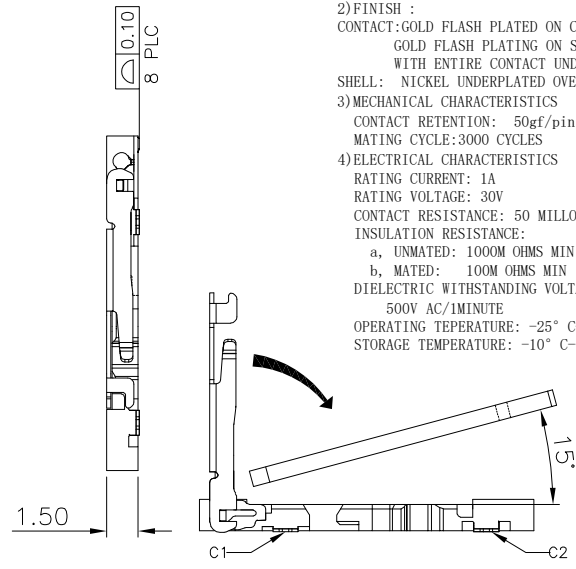
REVISIONS			
REV.	DESCRIPTION	DATE	DESIGN

A
B
C
D

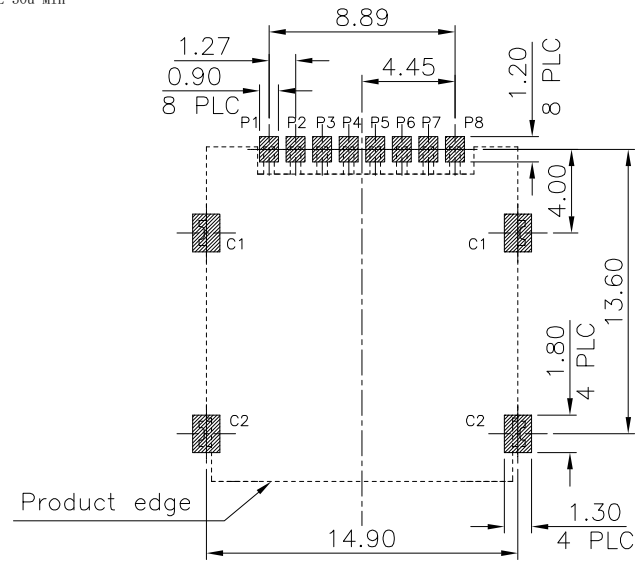
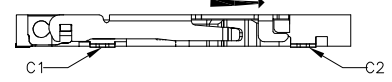
A
B
C
D



芯片面朝下视图



STEP II



RECOMMENDED PCB LAYOUT(TOP VIEW)
 GENERAL TOLERANCES:±0.05

PART NO. INFORMATION

MISIM - 08 X X 5 R - 005

- 08:8P
- CONTACT PLATED
- 1: GOLD FLASH
- 2: GOLD 3U"
- 3: GOLD 5U"
- 4: GOLD 10U"
- 5: GOLD 15U"
- 6: GOLD 30U"
- PACKAGE
- R: TAPE REEL
- HOUSING COLOR
- 2: WHITE
- 5: BLACK
- 9: NATURE
- HOUSING MATERIAL
- A: LCP B: PBT
- C: PA9T D: PA6T
- E: PA46 F: PA66

MICRO SIM CARD	
PIN NO.	DESCRIPTION
P1	VCC
P2	GND
P3	RST
P4	VPP
P5	CLK
P6	I/O
P7	RESERVED
P8	RESERVED

Bestcreate Technology Limited

TOLERANCES UNLESS OTHERWISE SPECIFIED:	
.X ± 0.35	X' ± 5'
.XX ± 0.25	.X' ± 2'
.XXX ± 0.15	.XX' ± 1'
Website:www.bsc-elec.com	
Email:bestcreate@bsc-elec.com	

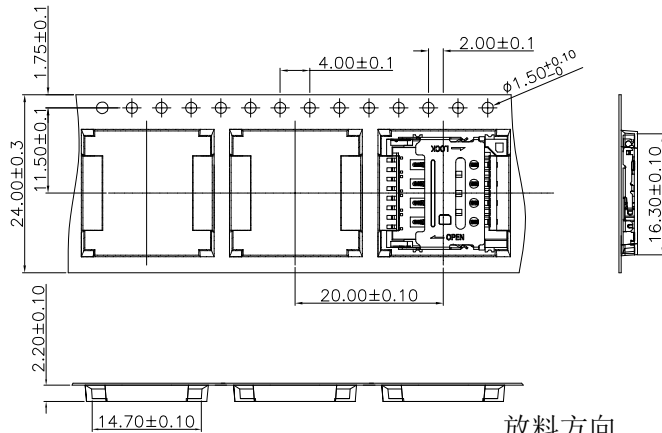
DESIGN: I.L	DATE: 2017.3.1
CHECKED: C.W	DATE: 2017.3.1
APPROVED: C.W	DATE: 2017.3.1

TITLE: MICRO SIM CARD 8PIN 1.5H (掀盖式8X1PIN)		
MATERIAL: FINISH:	PART NO: MISIM-08XX5R-005	SIZE: A4
DWG NO: MISIM-08XX5R-005	1 OF 2	

RoHS Compliant

REVISIONS			
REV.	DESCRIPTION	DATE	DESIGN

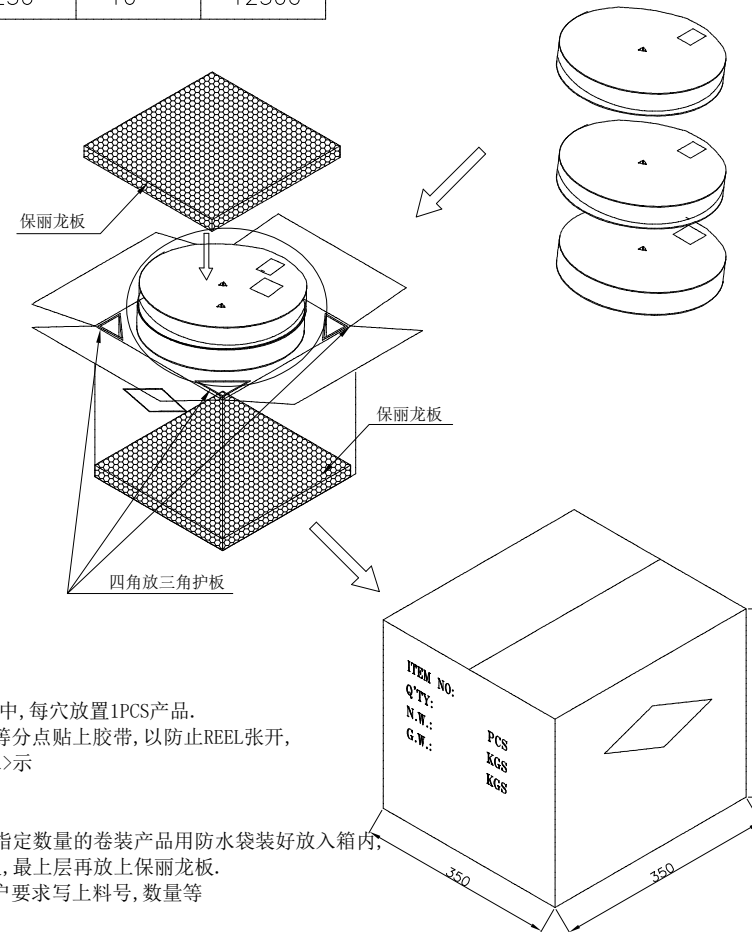
<图一>



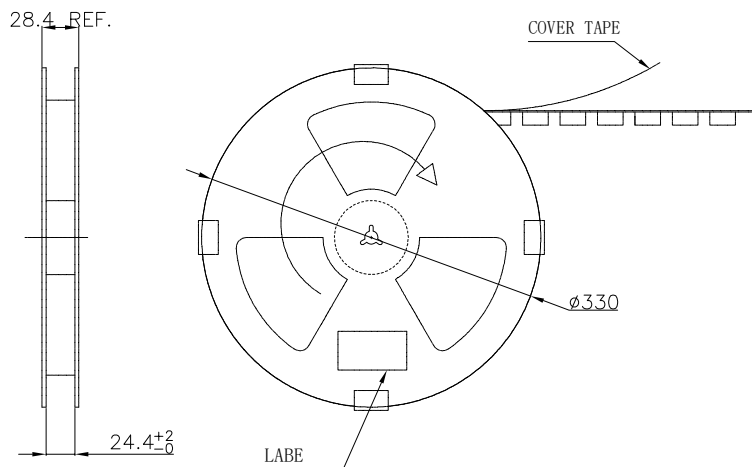
<TABLE 1> PACKAGING QUANTITY

QTY/REEL	REEL/CARTON	QTY/CARTON
1250	10	12500

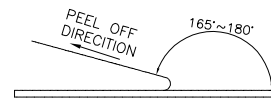
<图三>



<图二>



COVER TAPE PEELING FORCE: 50gf~150gf



NOTE:

- 依<图一>示放置产品于下载中, 每穴放置1PCS产品.
- 包装机包好后, 在REEL的个等分点贴上胶带, 以防止REEL张开, 每REEL贴1PCS标签, 如<图二>示
- 包装数量见如<TABLE 1>示
- 包装成箱见如<图三>示
箱底放保利龙板, 再依次将指定数量的卷装产品用防水袋装好放入箱内, 四角分别放入四个三角护板, 最上层再放上保利龙板.
- 封箱, 在封好的纸箱上按客户要求写上料号, 数量等

Bestcreate Technology Limited

TOLERANCES UNLESS OTHERWISE SPECIFIED:

.X	± 0.35	X'	± 5'
.XX	± 0.25	.X'	± 2'
.XXX	± 0.15	.XX'	± 1'

Website: www.bsc-elec.com
Email: bestcreate@bsc-elec.com

DESIGN: I. L
DATE: 2017. 3. 1
CHECKED: C. W
DATE: 2017. 3. 1
APPROVED: C. W
DATE: 2017. 3. 1

TITLE: MICRO SIM CARD 8PIN 1.5H
(8X1 TYPE) 包装图

MATERILA:	PART NO: MISIM-08XX5R-005	SIZE: A4
FINSH:	DWG NO: MISIM-08XX5R-005	2 OF 2

REV: A	UNIT: mm	SCALE: 1=1	QUALITY SYMBOLS
--------	----------	------------	-----------------