

RoHS Compliant

REVISIONS			
REV.	DESCRIPTION	DATE	DESIGN

规格说明:Specifications:
 电气特性:Electrical:

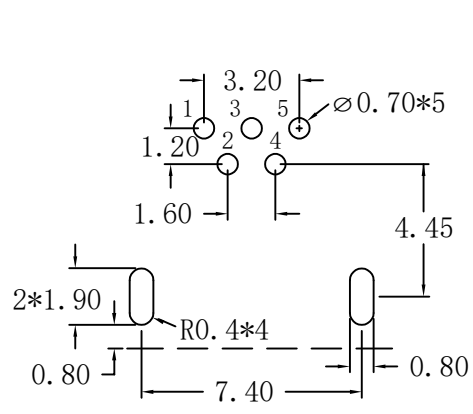
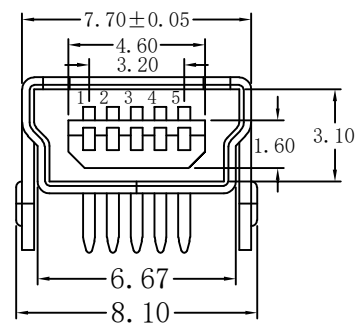
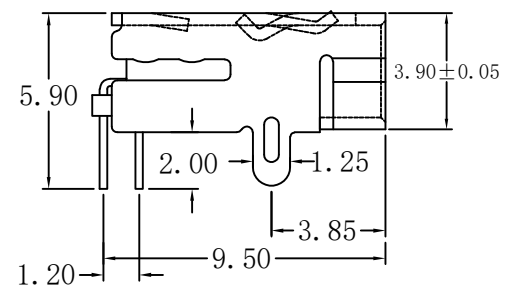
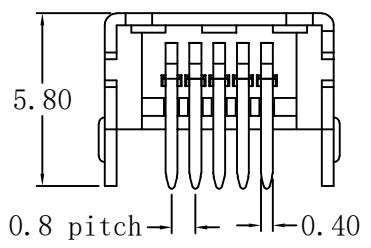
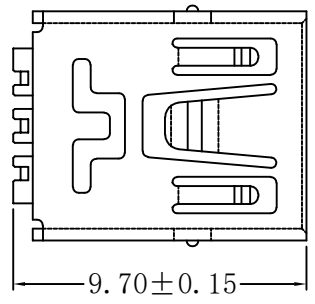
1. 额定电流: Current Rating
1.0A/contact terminal
2. 额定电压: Voltage Rating
30V DC
3. 接触阻抗:Contact Resistance
50 milliohms MAX
4. 耐电压:Dielectric Withstanding Voltage:
300 V AC AT Sea Level
5. 绝缘阻抗:Insulation Resistance:
100MEGA ohms MIN

原材料:Raw material:

1. 塑胶:Plastic cement:
High Temperature Thermoplastics,
LCP Black
2. 端子>Contact:Copper AlloyC2680/ C5191
3. 外壳:Shell: Copper Alloy C2680

电镀:Electroplate:

1. 端子>Contact: Plated Gold in Mating Area;
Tin On Solder Talls
2. 外壳:Shell:
Nickel Plating



RECOMMENDED PCB LAYOUT

PART NO. INFORMATION

U05-B F X X 5 R - 014

PORT TYPE
B: TYPE B

GENDER
F: FEMALE
M: MALE

CONTACT PLATED
1: GOLD FLASH
2: GOLD 3U"
3: GOLD 5U"
4: GOLD 10U"
5: GOLD 15U"
6: GOLD 30U"

PACKAGE
R: TAPE REEL

HOUSING COLOR
2: WHITE
5: BLACK
9: NATURE

HOUSING MATERIAL
A: LCP B: PBT
C: PA9T D: PA6T
E: PA46 F: PA66

Bestcreate Technology Limited

TOLERANCES UNLESS OTHERWISE SPECIFIED:		DESIGN: I.L	DATE: 2017.3.1
X. ± 0.50	X.' ± 3'	CHECKED: C.W	DATE: 2017.3.1
.X ± 0.25	.X' ± 2'	APPROVED: C.W	DATE: 2017.3.1
.XX ± 0.15	.XX' ± 1'	Website:www.bsc-elec.com	
		Email:bestcreate@bsc-elec.com	

TITLE: MINI USB 5P/F 90° B型两脚		
MATERILA:	PART NO: U05-BFXX5R-014	SIZE: A4
FINSH:	DWG NO: U05-BFXX5R-014	

REV: A	UNIT mm	SCALE 1=1	QUALITY SYMBOLS
--------	---------	-----------	-----------------