

RoHS Compliant

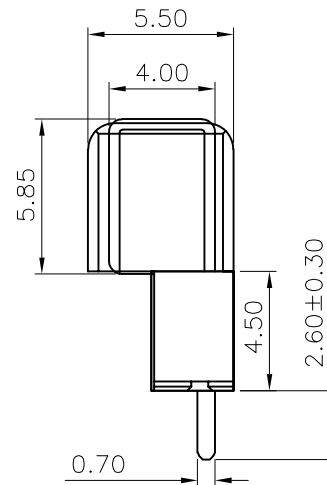
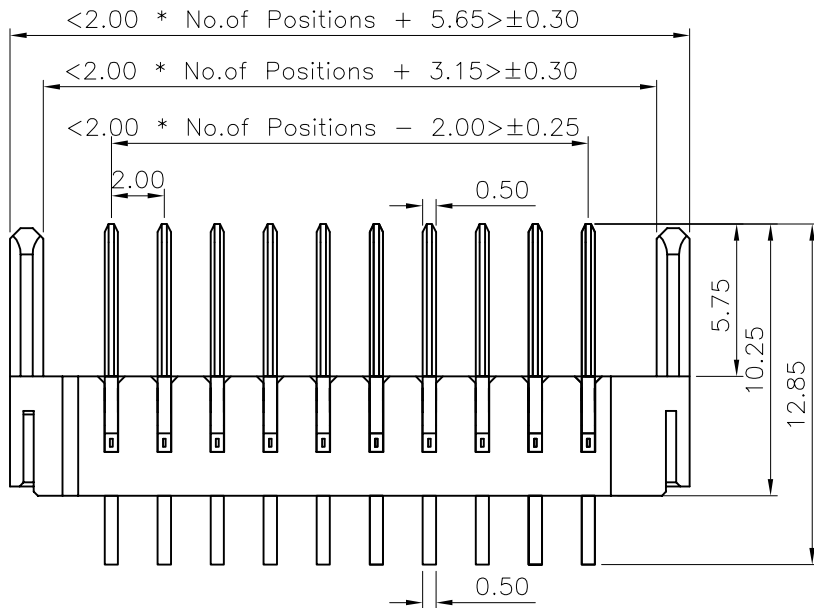
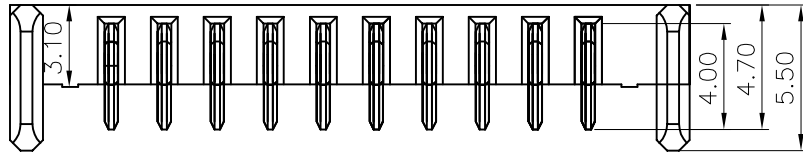
| REVISIONS |             |      |        |
|-----------|-------------|------|--------|
| REV.      | DESCRIPTION | DATE | DESIGN |
|           |             |      |        |

Specifications

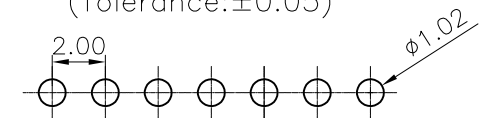
Current Rating: 7.0Amp  
 Insulation Resistance: 100MΩ Min.  
 Dielectric Withstanding: 500V AC  
 Contact Resistance: 30MΩ Max.  
 Operating Temperature: -40°C to +105°C

Materials

Contact Material: Phosphor Bronze  
 Insulation Material: Polyester, UL 94V-0  
 Nylon 9T  
 All materials must be ROHS materials



Recommended P.C.Board  
 Hole Layout  
 (Tolerance: ±0.05)



PART NO. INFORMATION

**BH201-XX M X C 5 T - 001**

NO.OF PINS PER ROW: 03-08  
 GENDER: F: FEMALE, M: MALE  
 CONTACT PLATED: 1: TIN, 2: GOLD FLASH  
 PACKAGE: T: TUBE  
 HOUSING COLOR: 5: BLACK  
 HOUSING MATERIAL: C: PA9T

**Bestcreate Technology Limited**

TOLERANCES UNLESS OTHERWISE SPECIFIED:

|     |        |       |      |
|-----|--------|-------|------|
| X.  | ± 0.30 | X.*   | ± 5' |
| .X  | ± 0.25 | .X.*  | ± 3' |
| .XX | ± 0.15 | .XX.* | ± 2' |

Website: [www.bsc-elec.com](http://www.bsc-elec.com)  
 Email: [bestcreate@bsc-elec.com](mailto:bestcreate@bsc-elec.com)

DESIGN: I. L DATE: 2017. 3. 1

CHECKED: C. W DATE: 2017. 3. 1

APPROVED: C. W DATE: 2017. 3. 1

TITLE: **2.0MM LARGE BATTERY HOLDER MALE DIP TYPE**

MATERILA: FINSH: PART NO: BH201-XXMXC5T-001 SIZE: A4

DWG NO: BH201-XXMXC5T-001

REV: A UNIT mm SCALE 1=1 QUALITY SYMBOLS