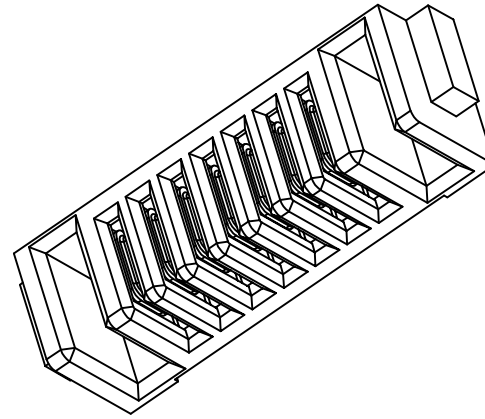
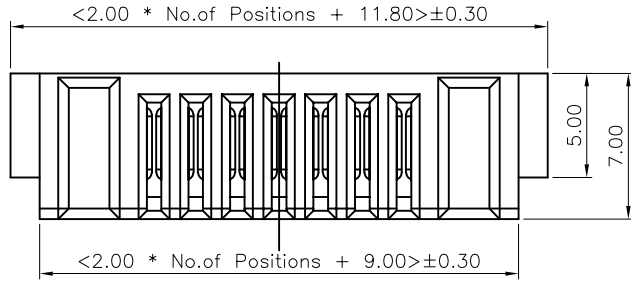


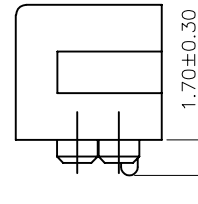
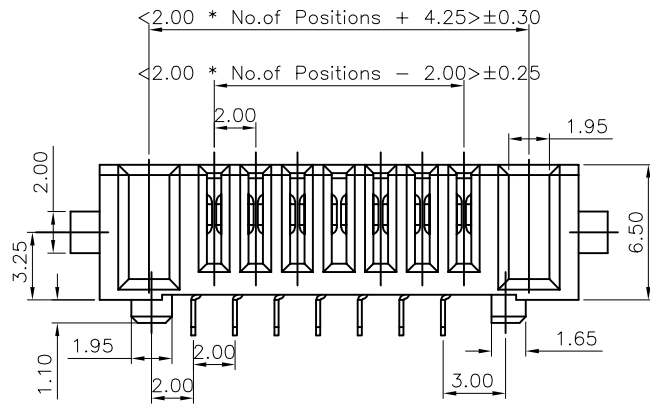
RoHS Compliant

REVISIONS			
REV.	DESCRIPTION	DATE	DESIGN

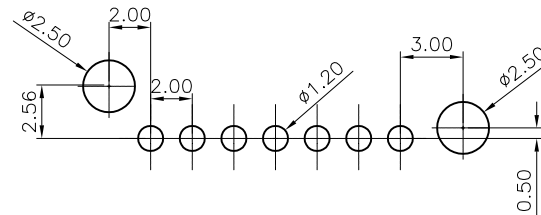
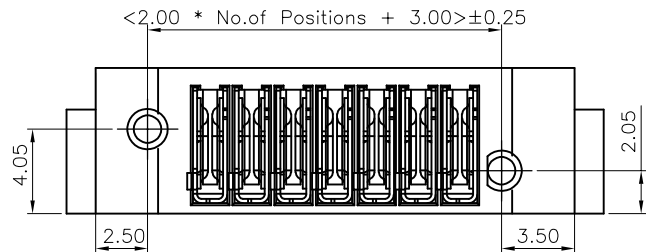


Specifications
 Current Rating: 5.0Amp
 Insulation Resistance: 100MΩ Min.
 Dielectric Withstanding: 500V AC
 Contact Resistance: 30MΩ Max.
 Operating Temperature: -40°C to +85°C

Materials
 Contact Material: Phosphor Bronze
 Insulation Material: Polyester, UL 94V-0
 Nylon 9T
 All materials must be ROHS materials



Recommended P.C.Board Hole Layout
 (Tolerance: ±0.05)



PART NO. INFORMATION

BH201-XX F X C 5 T - 001

NO.OF PINS PER ROW 03-15	PACKAGE T: TUBE
GENDER F: FEMALE M: MALE	HOUSING COLOR 5: BLACK
CONTACT PLATED 1: TIN 2: GOLD FLASH	HOUSING MATERIAL A: LCP B: PBT C: PA9T D: PA6T E: PA46 F: PA66

Bestcreate Technology Limited

TOLERANCES UNLESS OTHERWISE SPECIFIED:

X.	± 0.30	X.*	± 5*
.X	± 0.25	.X*	± 3*
.XX	± 0.15	.XX*	± 2*

Website: www.bsc-elec.com
 Email: bestcreate@bsc-elec.com

DESIGN: I.L DATE: 2017.3.1

CHECKED: C.W DATE: 2017.3.1

APPROVED: C.W DATE: 2017.3.1

TITLE: 2.0MM LARGE BATTERY HOLDER FEMALE DIP TYPE

MATERILA: PART NO: BH201-XXFXC5T-001 SIZE: A4

FINSH: DWG NO: BH201-XXFXC5T-001

REV: A	UNIT mm	SCALE 1=1	QUALITY SYMBOLS
--------	---------	-----------	-----------------