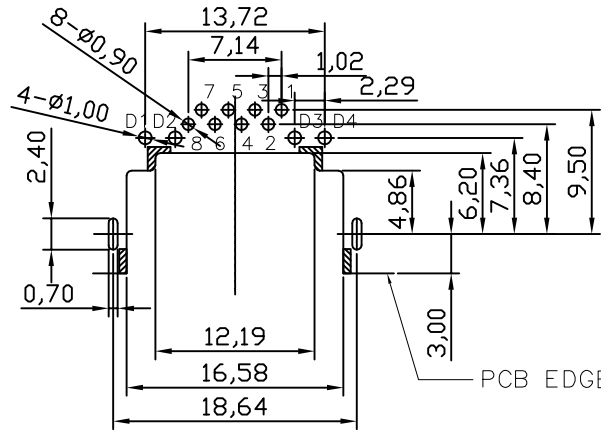
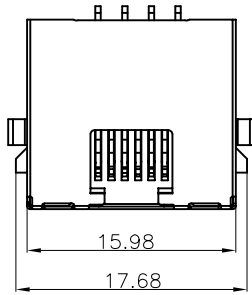


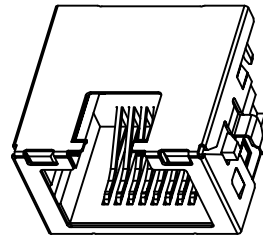
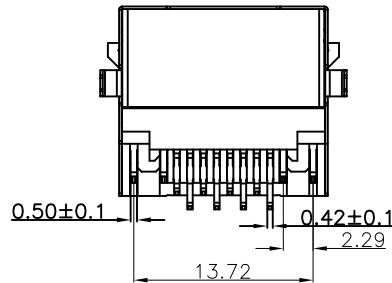
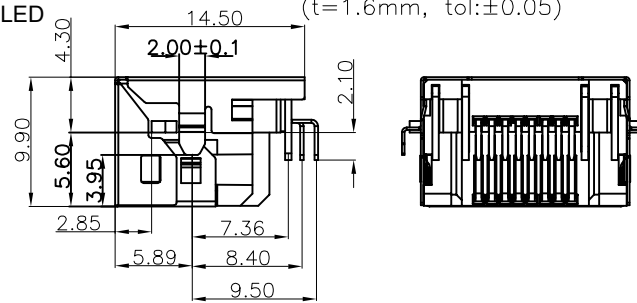
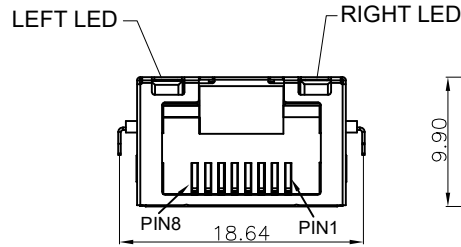
RoHS Compliant

REVISIONS			
REV.	DESCRIPTION	DATE	DESIGN

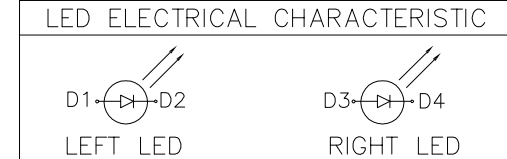


RECOMMENDED PCB LAYOUT

(t=1.6mm, tol:±0.05)



- NOTES
- MATERIAL
- 1. HOUSING MATERIAL : GLASS FILLED POLYESTER UL94V-0.
 - 2. CONTACT MATERIAL : COPPER ALLOY T=0.25MM.
 - 3. PLATING : GOLD PLATING ON CONTACT AREA AND MATTE TIN PLATING ON SOLDER AREA OVER NICKEL.
 - 4. SHIELD : SUS T=0.20mm WITH NICKEL PLATED.
 - 5. BOTTOM SHIELD : SUS T=0.15mm .
- ELECTRICAL
- 1. VOLTAGE RATING : 125 VAC RMS.
 - 2. CURRENT RATING : 1.5 AMP.
 - 3. CONTACT RESISTANCE : 40 MILLIOHMS MAX.
 - 4. INSULATION RESISTANCE : 500 MEGOHMS MIN @ 100V DC .
 - 5. DIELECTRIC DIELECTRIC RESISTANCE : 500V DC RMS 50Hz. 1MIN.
- MECHANICAL
- 1. DURRABILITY : 750 CYCLES MIN.
 - 2. MATING/UNMATING FORCE: 2.24 KG. F MAX.
- ENVIRONMENTAL:
- 1. STORAGE : -40°C~+85°C.
 - 2. OPERATION : -40°C~+85°C.



PART NO. INFORMATION

RJ01- X 5 X X - 028 - X

- CONTACT PLATED
- 1: G/F
 - 2: AU 3U"
 - 3: AU 6U"
 - 4: AU 15U"
 - 5: AU 30U"
- PACKAGE
- R: TAPE REEL
 - T: TRAY
- LED:
- 1:L-YELLOW R-GREEN
 - 2:L-GREEN R-YELLOW
 - 3:L-AMBER R-GREEN
- HOUSING:
- 1:PBT BLACK
 - 2:PBT YELLOW
 - 3:PA46 BLACK
 - 4:PBT BLUE
 - 5:PA9T BLUE
 - 6:PA9T YELLOW

Bestcreate Technology Limited

TOLERANCES UNLESS OTHERWISE SPECIFIED:

.X	± 0.30	X.*	± 3*
.XX	± 0.20	.X*	± 2*
.XXX	± 0.10	.XX*	± 1*

Website: www.bsc-elec.com
Email: bestcreate@bsc-elec.com

DESIGN:	I. L	DATE:	2017. 3. 1
CHECKED:	C. W	DATE:	2017. 3. 1
APPROVED:	C. W	DATE:	2017. 3. 1

TITLE: MID MOUNT 4.3MM RJ45 8P8C FEMALE CONNECTOR DIP TYPE WITH LED LIGHT		
MATERILA:	PART NO: RJ01-X5XX-028-X	SIZE: A4
FINSH:	DWG NO: RJ01-X5XX-028-X	

REV: A	UNIT mm	SCALE 1=1	QUALITY SYMBOLS
-----------	------------	--------------	-----------------