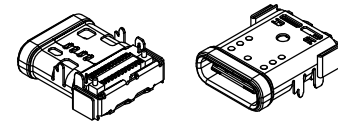


RoHS Compliant



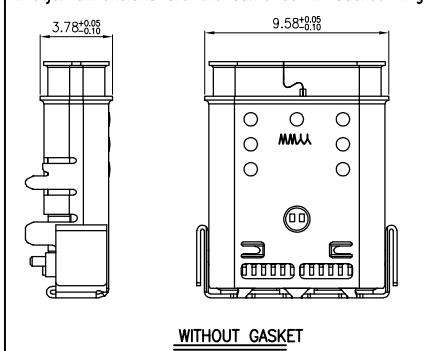
REVISIONS

REV.	DESCRIPTION	DATE	DESIGN

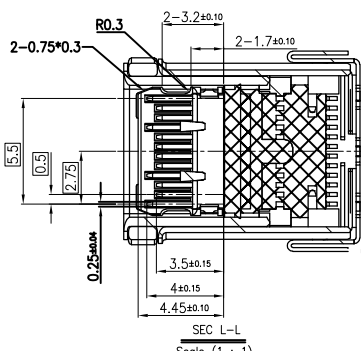


3D VIEW(1:2)

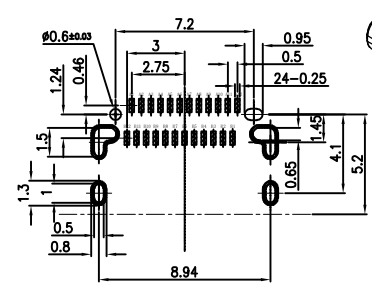
All other dimensions are the same as in "Gasket Ring"



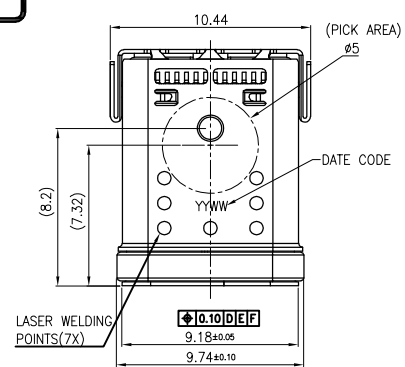
WITHOUT GASKET



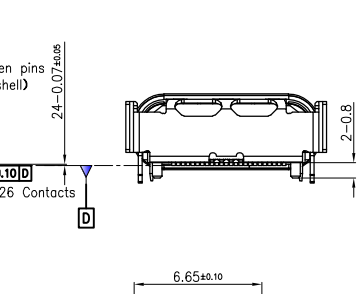
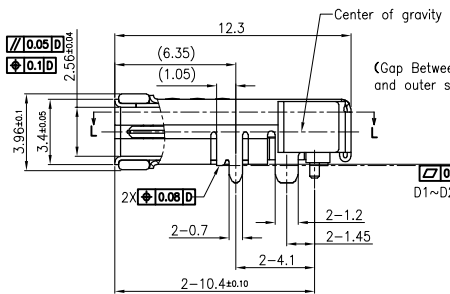
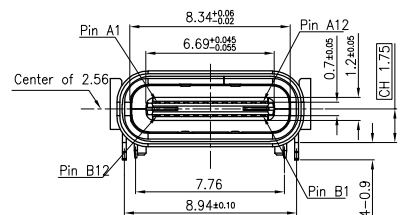
SEC L-L
Scale (1 : 1)



RECOMMENDED PCB LAYOUT(TOP VIEW)
THICKNESS=T1.10~1.75mm;TOLERANCE:±0.05

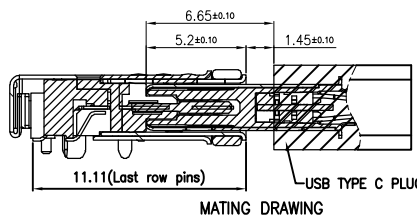
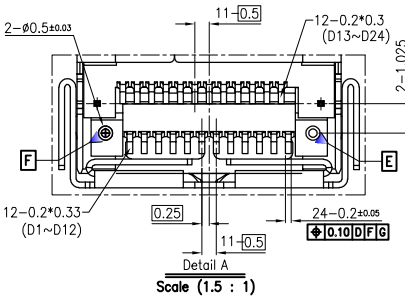
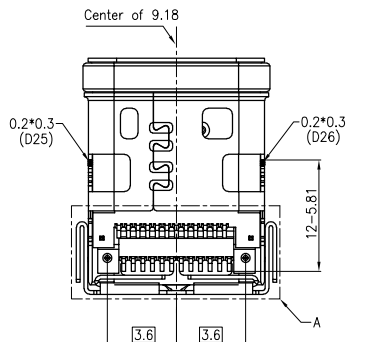
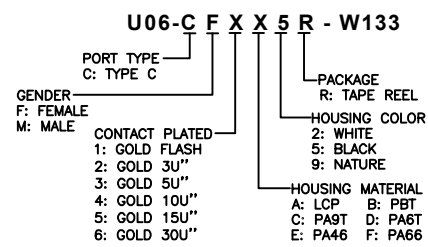


LASER WELDING POINTS(7X)
DATE CODE
YYWW



- NOTE:
- MATERIAL:
 - INSULATOR:PA9T(GP2450NH),rated UL94V-0,BLACK
 - CONTACT: C194-H(Brass),T=0.15mm
 - MID PLATE: SUS301-H (T=0.15)
 - INNER SHELL:SUS304-1/2H(T=0.20)
 - OUTER SHELL:SUS304-1/2H(T=0.20)
 - O-RING: SILICONE
 - ELECTRICAL CHARACTERISTICS:
 - LLCR:
 - VBUS&GND PINS&OTHER PINS:40mΩ MAX.
 - AFTER ENVIRONMENT TEST: 50mΩ MAX.
 - CURRENT RATING:5A MAX. VOLTAGE RATING: 20V
 - DIELECTRIC WITHSTANDING VOLTAGE:100VR.M.S.
 - INSULATION RESISTANCE: 100 MEGOHMS MIN
 - OPERATING TEMPERATURE:-40°C ~ 105°C
 - MECHANICAL CHARACTERISTICS:
 - MATING FORCE: 5N~20N
 - UNMATED FORCE: 8N~20N/6N~20N AFTER TEST.
 - DURABILITY:10,000 CYCLES
 - PLATING
 - CONTACT:Underplate 80u" MIN. Nickel Plating.
Contact area: 30u" Gold Plating
Solder tails area : 100u"~150u" Matte Tin Plating
 - MID PLATE: 80u" MIN NICKEL ALL OVER.
 - SHELL: Underplate 80u" MIN. Nickel Plating.
Solder tails area : G/F" Au Plating

PART NO. INFORMATION



MATING DRAWING

Bestcreate Technology Limited

TOLERANCES UNLESS OTHERWISE SPECIFIED:			
.X	± 0.30	.X'	± 10'
.XX	± 0.20	.X''	± 8'
.XXX	± 0.10	.X'''	± 5'

Website:www.bsc-elec.com
Email:bestcreate@bsc-elec.com

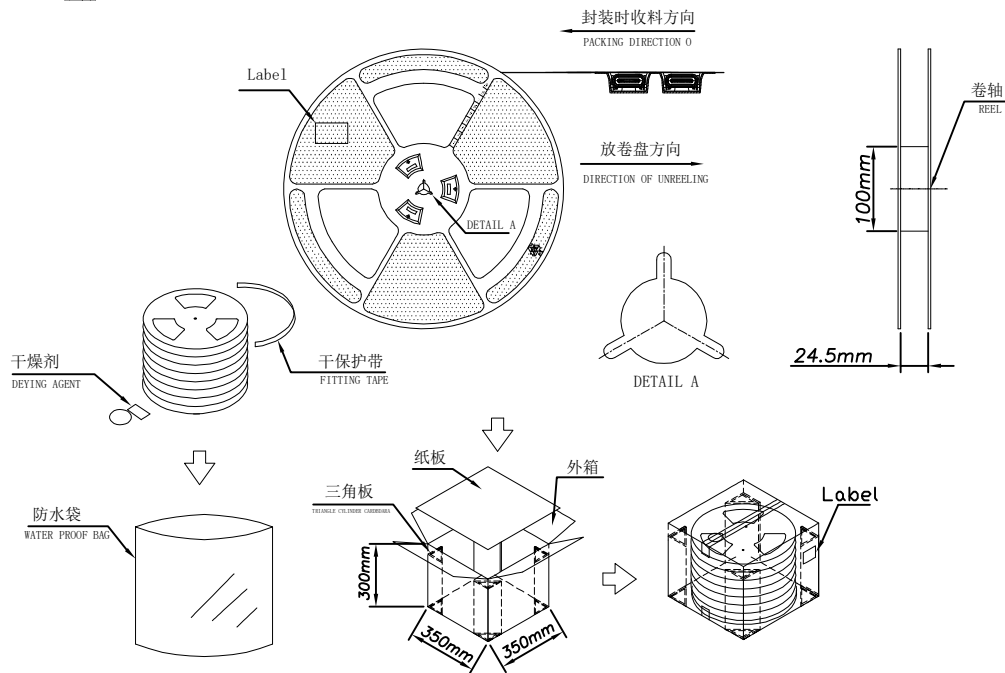
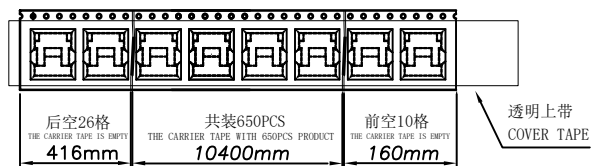
DESIGN:	I. L	DATE:	
CHECKED:	C. W	DATE:	
APPROVED:	C. W	DATE:	

TITLE:		
IPX4 TYPE CF 24P DUAL ROW SMT CL=1.75MM		
MATERILA:	PART NO:	SIZE:
	U06-CFXX5R-W133	A4
FINSH:	DWG NO:	
	U06-CFXX5R-W133	1 OF 1

REV:	A	UNIT	mm	SCALE	1=1	QUALITY SYMBOLS	
------	---	------	----	-------	-----	-----------------	--

RoHS Compliant

REVISIONS			
REV.	DESCRIPTION	DATE	DESIGN



NOTES

- MATERIALS:PS
- PACKING:TAPE REEL (650PCS/REEL, 5850PCS/CARTON)
- SONY SS-00259 or RoHS
ALL Material in According With The RoHS Environment Related Substances List Controlle
(包装: 纸箱. 胶带. 油墨. REEL. 填充物等不含禁用物质)
- 纸箱底部垫一片纸板
Fill in a corrugated paper board
- 外箱四个内角加入三角板支撑
Put 4 triangle cylinder cardboard in all corner
- 把9卷封好的产品平放进防水袋, 并放入四包干燥剂, 再一起平放进外箱.
Put 9reels of products into water proof bag, with 4pcs of drying agent
- 接上一工站, 上层放一片纸板
Cover with corrugated paper board

ITEMS	DIMENSION	AMOUNT
下带	W 24.0mm	10.97m*9/CARTON
上带	W 21.3mm	11m*9/CARTON
卷盘	φ330x24.5mm	9 SET/CARTON
PE袋	711x635mm	1 PC/CARTON
三角板	250x276mm	4 PCS/CARTON
纸箱	350x350x300mm	1 PC/CARTON
隔板	330x330mm	2 PCS/CARTON
干燥剂	2g	4 PCS/CARTON

	REEL/TRAY	REEL/CARTON	CARTON
CONNECTOR (PCS)	650	9	5850

Bestcreate Technology Limited

TOLERANCES UNLESS OTHERWISE SPECIFIED:

X.	± 0.50	X."	± 2'
.X	± 0.30	.X"	± 1'
.XX	± 0.10	.XX"	± 0.5'

DESIGN:
I. L

DATE:

TITLE:

IPX4 TYPE CF 24P DUAL ROW SMT CL=1.75MM

CHECKED:

DATE:

MATERILA:

PART NO:
U06-CFXX5R-W133

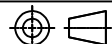
SIZE:
A4

REV:
A

UNIT
mm

SCALE
1=1

QUALITY
SYMBOLS



Website:www.bsc-elec.com

Email:bestcreate@bsc-elec.com

APPROVED:
C. W

DATE:

FINSH:

DWG NO:
U06-CFXX5R-W133

2 OF 2