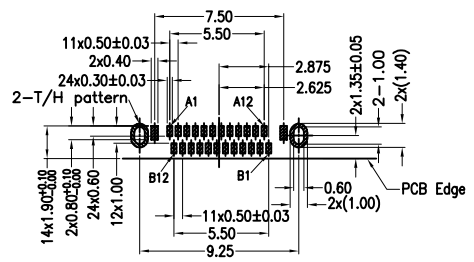
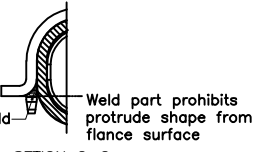
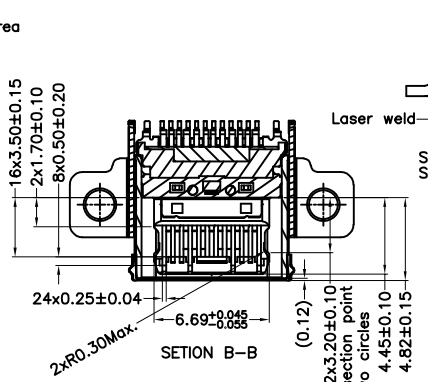
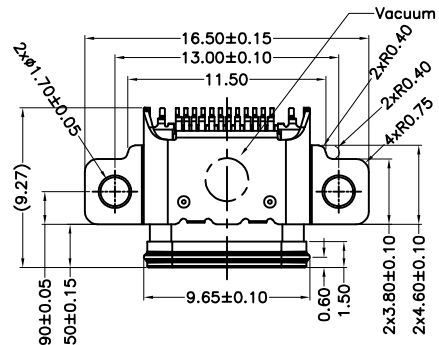


RoHS Compliant



REVISIONS			
REV.	DESCRIPTION	DATE	DESIGN

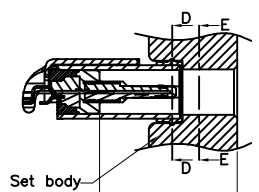
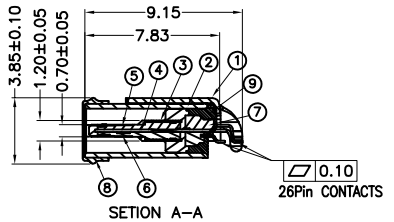
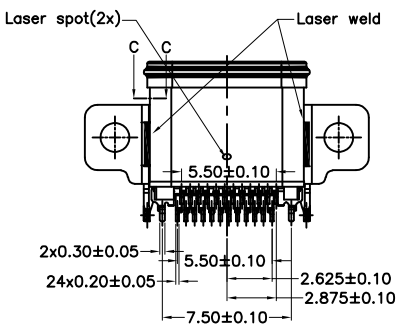
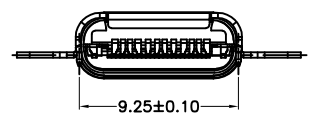
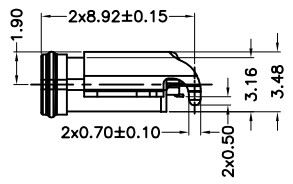
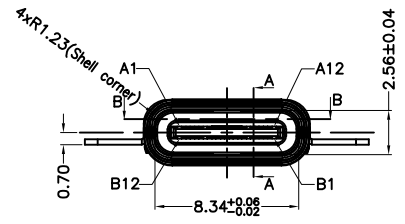


RECOMMENDED PCB LAYOUT
DEFAULT TOLERANCE: ±0.05

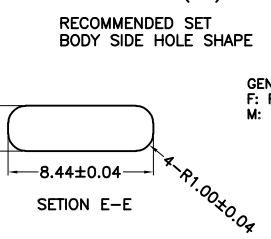
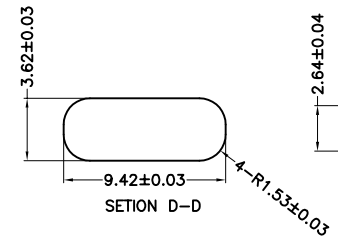
- Remark:
- MECHANICAL PERFORMANCE
 - INSERTION FORCE: 5~20N.
 - EXTRACTION FORCE: 8~20N INITIAL, 6~20N AFTER TEST;
 - DURABILITY: 10000 CYCLES.
 - ELECTRICAL PERFORMANCE
 - CURRENT RATING: 5A MIN FOR VBUS, 0.25A MIN FOR OTHERS
VOLTAGE RATING: 20V MAX.
 - LLCR: VBUS & GND PINS AND OTHER PINS ARE: 40mΩ/PIN MAX.
 - INSULATION RESISTANCE: 100MΩ MIN.
 - DIELECTRIC WITHSTAND VOLTAGE: AC 100V FOR 1 MINUTE.
 - The waterproof grade is IPX8(1.5m depth of water).
 - PIN DEFINITION: (GND pins(A1,A12,B1,B2) and Mid Plate should connect together in PCB circuit.)

Pin	A1	A2	A3	A4	A5	A6	A7	A8	A9	A10	A11	A12
Pin	GND	TX1+	TX1-	VBUS	CC1	D+	D-	SBU1	VBUS	RX2-	RX2+	GND
Pin	GND	RX1+	RX1-	VBUS	SBU2	D-	D+	CC2	VBUS	TX2-	TX2+	GND
Pin	B12	B11	B10	B9	B8	B7	B6	B5	B4	B3	B2	B1

- Environmental Characteristics
 - Salt Spray: 24H
 - IR Reflow: Peak Temperature 240±5°C (Time: 30S)
 - Operating Temperature Range: -30°C to +85°C.
 - Storage Temperature Range: -20°C to +80°C.
 - Relative Humidity: 15~70%RH
 - Storage Life : 6 Months



RECOMMENDED SET BODY SIDE HOLE SHAPE



PART NO. INFORMATION
U06-C F X X 5 R - W135

- PORT TYPE: C: TYPE C
- GENDER: F: FEMALE, M: MALE
- CONTACT PLATED: 1: GOLD FLASH, 2: GOLD 3U'', 3: GOLD 5U'', 4: GOLD 10U'', 5: GOLD 15U'', 6: GOLD 30U''
- HOUSING MATERIAL: A: LCP, B: PBT, C: PA9T, D: PA6T, E: PA46, F: PA66
- HOUSING COLOR: 2: WHITE, 5: BLACK, 9: NATURE
- PACKAGE: R: TAPE REEL

NO.	Part Name	Q'TY	Material	Finish
9	Liquid Rubber		Si	Color:Black
8	Rubber	1PCS	Si	Color:Black
7	Insertmolding	1PCS	LCP E6808	Color:Black
6	Bottom Contact	12PCS	C18150-R540, T=0.12	Welding Area: Ni 50u"MIN.+Au 15u" Min.
5	Top Contact	12PCS	C18150-R540, T=0.12	Solder Tails: Ni 50u"MIN.+Au 1u" Min.
4	Mid Plate	1PCS	SUS301R-H, T=0.15	Ni 40u"Min.+Solder area: Au 1u"Min.
3	GND Plate	2PCS	SUS301R-H, T=0.10	None
2	Shell	1PCS	SUS316, T=0.30	Ni+40u" Min.
1	Frame	1PCS	SUS304R-1/2H, T=0.30	Ni+40u" Min.

Bestcreate Technology Limited

TOLERANCES UNLESS OTHERWISE SPECIFIED:			
.X	± 0.30	X.'	± 10'
.XX	± 0.20	.X'	± 8'
.XXX	± 0.10	.XX'	± 5'

Website: www.bsc-elec.com
Email: bestcreate@bsc-elec.com

DESIGN: I. L	DATE:
CHECKED: C. W	DATE:
APPROVED: C. W	DATE:

TITLE: IPX8 USB TYPE C FEMALE MID MOUNT DUAL ROW SMT		
MATERILA:	PART NO: U06-CFXX5R-W135	SIZE: A4
FINSH:	DWG NO: U06-CFXX5R-W135	1 OF 2

REV: A	UNIT: mm	SCALE: 1=1	QUALITY SYMBOLS:
--------	----------	------------	------------------