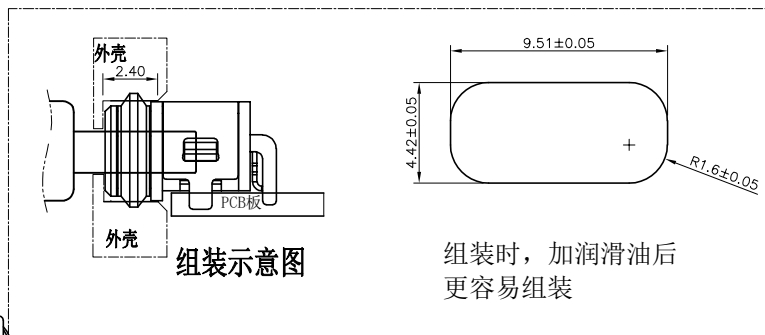
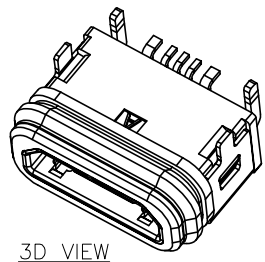
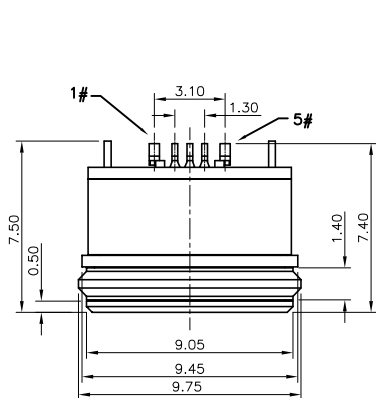


RoHS Compliant

REVISIONS			
REV.	DESCRIPTION	DATE	DESIGN

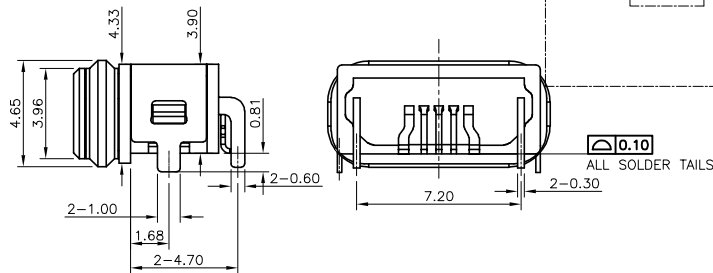
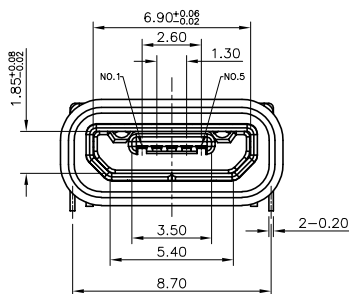


A

A

B

B

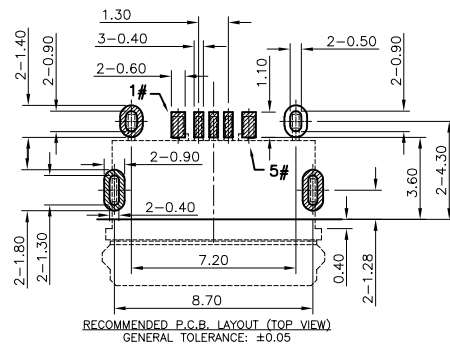
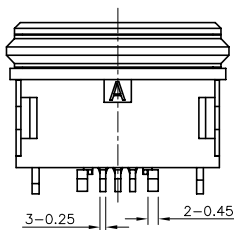


SPECIFICATIONS:

- ELECTRICAL CHARACTERISTICS:
 - RATING: 3A(PIN1&5),0.5A(PIN2&3&4);
 - CONTACT RESISTANCE: 30 mΩ MAX.(INITIAL);
 - DIELECTRIC WITHSTANDING: 500V AC MIN.;
 - INSULATION RESISTANCE: 1000MΩ MIN.;
- DURABILITY: 10,000 CYCLES MIN.;
- INSERTION FORCE: 3.5Kgf (35N) Max.;
- EXTRACTION FORCE: 0.8Kgf (8N) Min.;
- WATER PROOFNESS: THIS PRODUCT IS BASED ON IPX8(1.5m,30min)
- PLUG INTERFACE DIMENSIONS CONFORM TO USB2.0 SPEC.
- PACKAGING: TAPE & REEL.

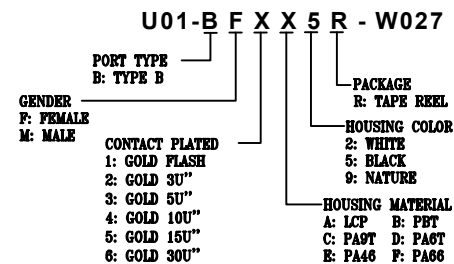
C

C



Contact Number		
1#	VBUS	Power
2#	D-	Date-
3#	D+	Date+
4#	ID	Reserve or Ground
5#	GND	Ground

PART NO. INFORMATION



NO.	DESCRIPTION	QTY	MATERIAL	REMARK
⑦	Oval ring	1	Rubber	Black
⑥	Glue	1	-----	Black
⑤	J-shaped frame	1	Copper alloy or stainless	Nickel plated
④	Inner shell	1	Copper alloy or stainless	Nickel plated
③	Terminal	5	Copper alloy, 0.15t	Gold Plated On Contact Area.
②	Outer shell	1	High temperature thermoplastic	Black
①	Body	1	High temperature thermoplastic	Black

Bestcreate Technology Limited

TOLERANCES UNLESS OTHERWISE SPECIFIED:

X.	± 0.20	X.*	± 2°
.X	± 0.15	.X*	± 1°
.XX	± 0.10	.XX*	± 0.5°

Website: www.bsc-elec.com
E-mail: bestcreate@bsc-elec.com

DESIGN: I.L DATE: 2017/3/1

CHECKED: C.W DATE: 2017/3/1

APPROVED: C.W DATE: 2017/3/1

TITLE: IPX8 WATERPROOF MICRO USB 2.0 5P B FEMALE CONNECTOR

MATERIAL: PART NO: U01-BFX5R-W027 SIZE: A4

FINSH: DWG NO: U01-BFX5R-W027 SHEET: 1 OF 1

REV:	UNIT	SCALE	QUALITY SYMBOLS
A	mm	1=1	