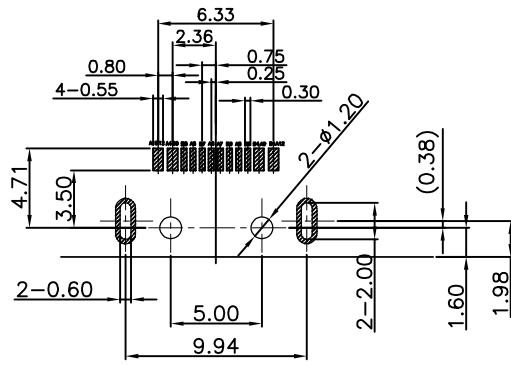
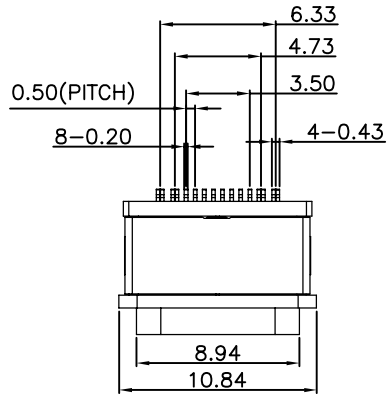
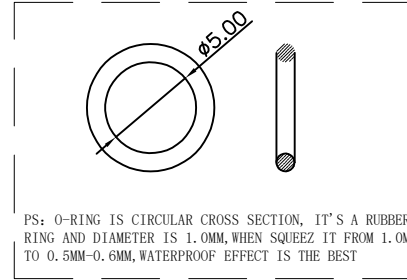


RoHS Compliant

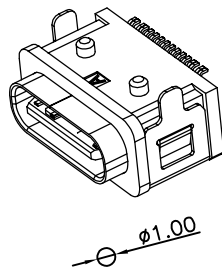
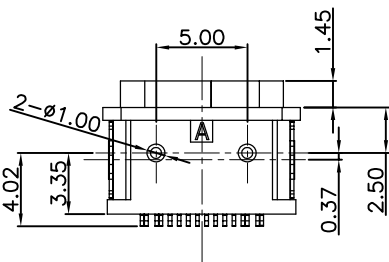
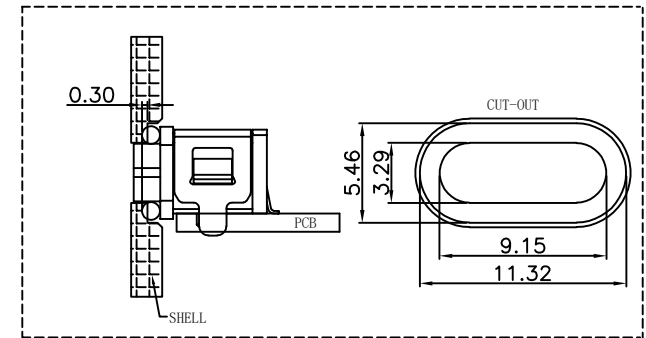
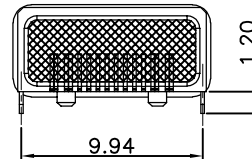
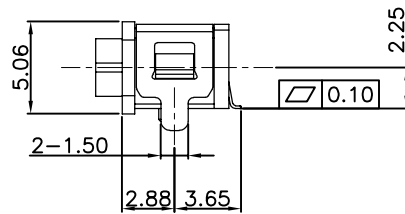
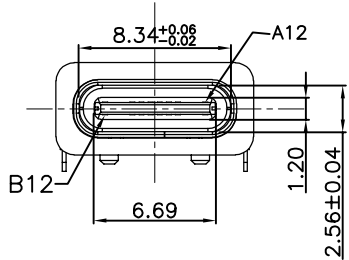
REVISIONS			
REV.	DESCRIPTION	DATE	DESIGN



Recommended P.C.B. Layout
Unspecified tolerance: ±0.05
(Top view)



- SPECIFICATION:
- CURRENT RATING: 3.0A MAX
 - DIELECTRIC WITHSTAND VOLTAGE: 100VAC
 - TEMPERATURE RANGE: -30 °C ~ 85 °C
 - CONTACT RESISTANCE: 40 MILLIONHM MAX
 - INSULATION RESISTANCE: 100 MEGOHMS MIN.
 - INSERTION FORCE : 5N~20N
 - UNMATING FORCE: 8N~20N
 - DURABILITY:10,000 CYCLES
 - WATER PROOFNESS:THIS PRODUCT IS BASED ON IPX8.



PART NO. INFORMATION

U06-C F X X 5 X - W054

- PORT TYPE
C: TYPE C
- GENDER
F: FEMALE
M: MALE
- CONTACT PLATED
1: GOLD FLASH
2: GOLD 3U"
3: GOLD 5U"
4: GOLD 10U"
5: GOLD 15U"
6: GOLD 30U"
- PACKAGE
R:TAPE&REEL
- HOUSING COLOR
2: WHITE
5: BLACK
9: NATURE
- HOUSING MATERIAL
A: LCP B: PBT
C: PA9T D: PA6T
E: PA46 F: PA66
G: PA10T

ITEM	PART NAME	Q' TY	FINISH	NOTE
5	Shell2	1	SUS301 Ni Plating T=0.20mm	Ni:40u"Min;
4	Shell1	1	SUS301 Ni Plating T=0.25mm	Ni:40u"Min;
3	Housing2	1	PA10T(G.F30%)	
2	Contact	6	Phosphor bronze C5210R-EH Au/Ni Plating T=0.20mm	Ni:40u"Min; Au:CONTACT AREA:3u", OTHER AREA:G/F
1	Housing	1	PA10T (G.F30%)	

A1	GND	B12	GND
A4	VBUS	B9	VBUS
A5	CC1	B8	SBU2
A6	DP1	B7	DN2
A7	DN1	B6	DP2
A8	SBU1	B5	CC2
A9	VBUS	B4	VBUS
A12	GND	B1	GND
PIN	SIGNAL NAME	PIN	SIGNAL NAME

Bestcreate Technology Limited

TOLERANCES UNLESS OTHERWISE SPECIFIED:

.X	± 0.30	.X'	± 2'
.XX	± 0.10	.X''	± 1'
.XXX	± 0.05	.X'''	± 0.5'

DESIGN:
I. L

DATE:

TITLE:

IPX8 Waterproof 16P Type CF Connector SMT

CHECKED:
C. W

DATE:

MATERILA:

PART NO:
U06-CFXX5X-W054

SIZE:
A4

APPROVED:
C. W

DATE:

FINSH:

DWG NO:
U06-CFXX5X-W054

Website:www.bsc-elec.com
Email:bestcreate@bsc-elec.com

REV:
A

UNIT
mm

SCALE
1=1

QUALITY
SYMBOLS

