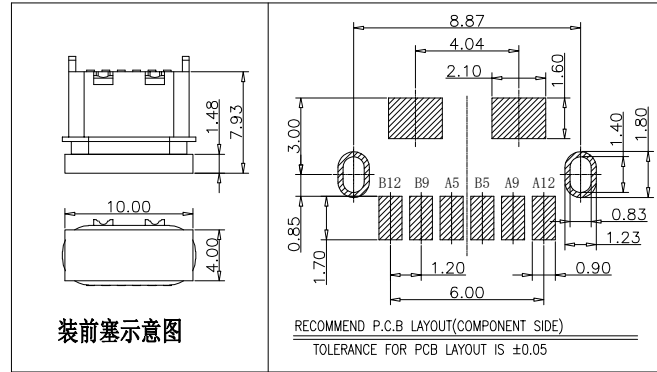
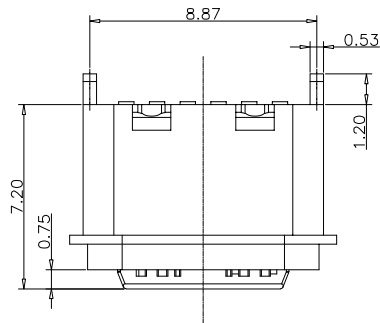


RoHS Compliant

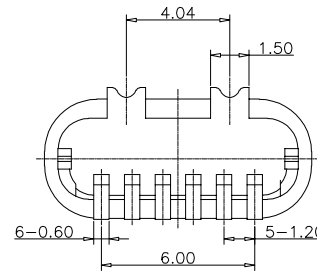
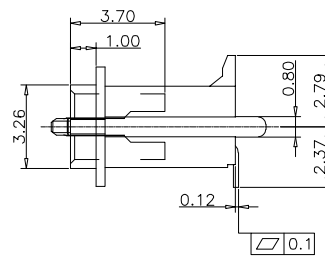
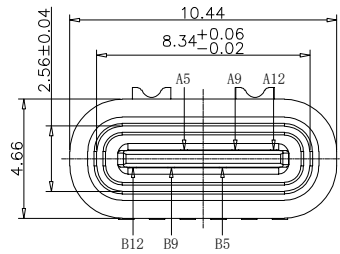


REVISIONS			
REV.	DESCRIPTION	DATE	DESIGN



NOTE:

1. ELECTRICAL:
- CONTACT: CONTACT RESISTANCE 40mΩ Max, 10mΩ LESS OR MORE IS ALLOWED. TEST CONDITION: 20mv, 100mA .
 - CURRENT ON CONTACT: 3A VBUS PIN-OUT; 1.25A FOR GND ; 0.25A FOR OTHERS.
 - RATED VOLTAGE: 30V.
 - WITHSTAND VOLTAGE: 100VR. M. S.
 - INSULATION RESISTANCE: AT LEAST 100megohm .
2. MECHANICAL:
- MATING FORCE: 0.51-2.04Kg
 - UNMATING FORCE: 0.82-2.04Kg
 - LIFETIME: 10000 TIMES.
 - WORKING TEMPERATURE: -20°C to +85°C.



USB TYPE C PIN ASSIGNMENTS

PIN NUMBER	SIGNAL NAME	PIN NUMBER	SIGNAL NAME
		B12	GND
		B9	VBUS
A5	CC1	B5	CC2
A9	VBUS		
A12	GND		

PART NO. INFORMATION

U06-C F X X 5 R - W025

- PORT TYPE: C: TYPE C
- GENDER: F: FEMALE, M: MALE
- CONTACT PLATED: 1: GOLD FLASH, 2: GOLD 3U'', 3: GOLD 5U'', 4: GOLD 10U'', 5: GOLD 15U'', 6: GOLD 30U''
- PACKAGE: R: TAPE REEL
- HOUSING COLOR: 2: WHITE, 5: BLACK, 9: NATURE
- HOUSING MATERIAL: A: LCP, B: PBT, C: PA9T, D: PA6T, E: PA46, F: PA66

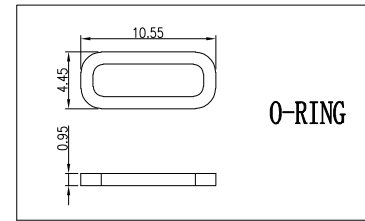
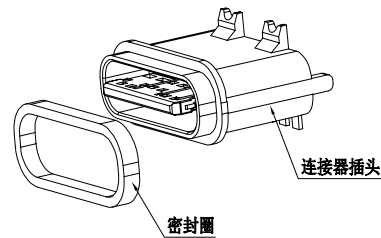


TABLE:

NO	PART	Q'TY	Material
1	SHELL	1	ZINC ALLOY, NI PLATED
2	CONTACT	6	COPPER STEEL, TIN/AU/Ni PLATED
3	1MD HOUSING	1	HIGH TEMPERATURE RESISTANT PLASTIC BLACK UL94 V-0

Bestcreate Technology Limited

TOLERANCES UNLESS OTHERWISE SPECIFIED:

.X	± 0.20	.X'	± 5'
.XX	± 0.15	.X''	± 2'
.XXX	± 0.10	.XX'	± 1'

DESIGN: I.L DATE:

CHECKED: C.W DATE:

APPROVED: C.W DATE:

TITLE: IPX7 Waterproof USB TYPE C 6P FEMALE CONNECTOR L=7.20mm

MATERIAL: PART NO: U06-CFX5R-W025 SIZE: A4

FINISH: DWG NO: U06-CFX5R-W025

REV: A UNIT mm SCALE 1=1 QUALITY SYMBOLS

Website: www.bsc-elec.com Email: bestcreate@bsc-elec.com