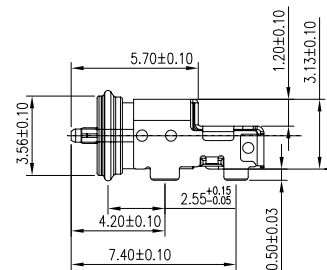
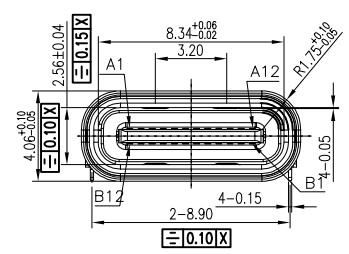
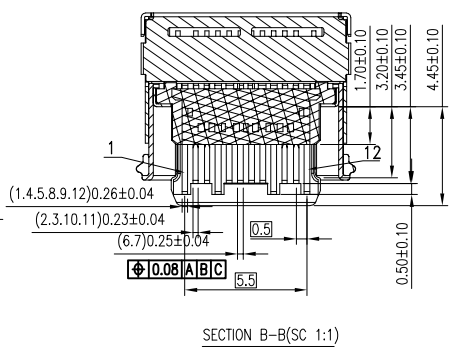
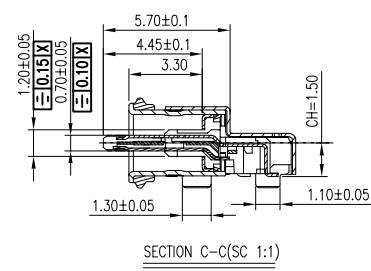
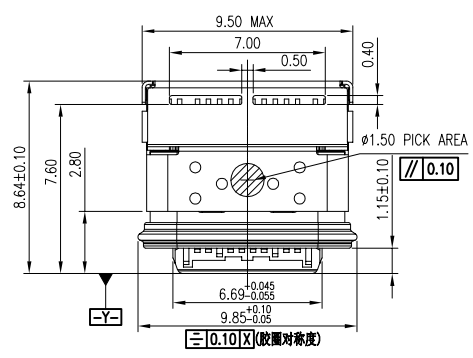
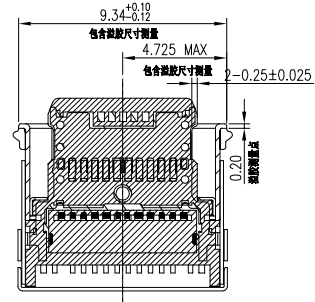
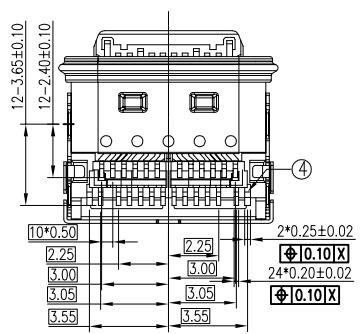
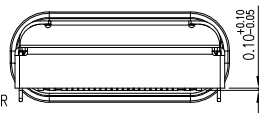


RoHS Compliant

REVISIONS			
REV.	DESCRIPTION	DATE	DESIGN



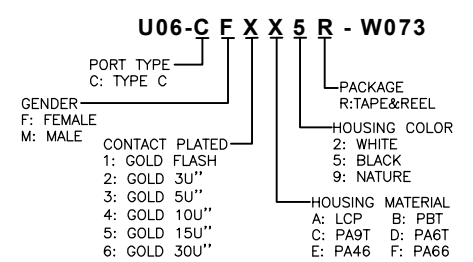
BEFORE IR
AFTER IR



PIN ASSIGNMENTS

No.	NAME	DESCRIPTION	No.	NAME	DESCRIPTION
A1	GND	GROUND RETURN	B12	GND	GROUND RETURN
A4	VBUS	BUS POWER	B9	VBUS	BUS POWER
A5	CC1	CONFIGURATION CHANNEL	B8	SBU2	SIDEBAND USE(SBU)
A6	DP1	POSITIVE HALF OF USB2.0 DIFFERENTIAL PAIR-POSITION1	B7	DN2	NEGATIVE HALF OF USB2.0 DIFFERENTIAL PAIR-POSITION2
A7	DN1	NEGATIVE HALF OF USB2.0 DIFFERENTIAL PAIR-POSITION1	B6	DP2	POSITIVE HALF OF USB2.0 DIFFERENTIAL PAIR-POSITION2
A8	SBU1	SIDEBAND USE(SBU)	B5	CC2	CONFIGURATION CHANNEL
A9	VBUS	BUS POWER	B4	VBUS	BUS POWER
A12	GND	GROUND RETURN	B1	GND	GROUND RETURN

PART NO. INFORMATION



Bestcreate Technology Limited

TOLERANCES UNLESS OTHERWISE SPECIFIED:			
.X	± 0.30	.X.'	± 2'
.XX	± 0.20	.X''	± 1'
.XXX	± 0.10	.X'''	± 0.5'
Website: www.bsc-elec.com			
Email: bestcreate@bsc-elec.com			

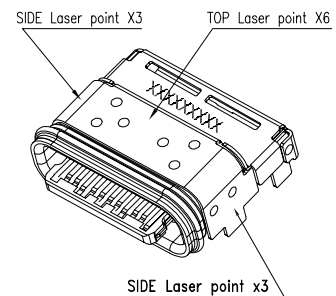
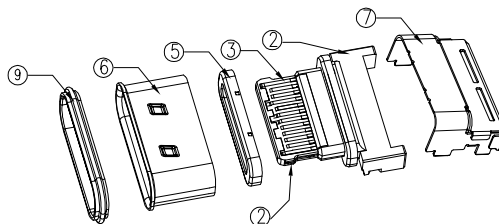
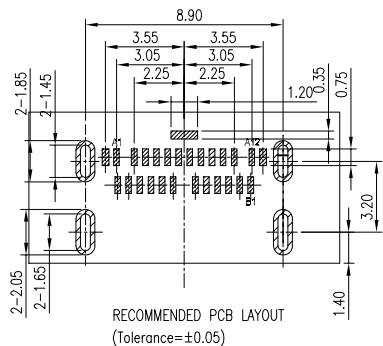
DESIGN:	I. L	DATE:	
CHECKED:	C. W	DATE:	
APPROVED:	C. W	DATE:	

TITLE:		
IP68 24P Waterproof USB C Female Connector SMT		
MATERIA:	PART NO:	SIZE:
	U06-CFXX5R-W073	A4
FINSH:	DWG NO:	
	U06-CFXX5R-W073	

REV: A	UNIT mm	SCALE 1=1	QUALITY SYMBOLS
--------	---------	-----------	-----------------

RoHS Compliant

REVISIONS			
REV.	DESCRIPTION	DATE	DESIGN

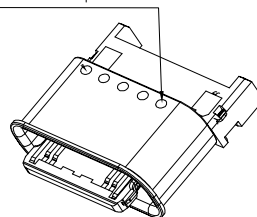


说明:

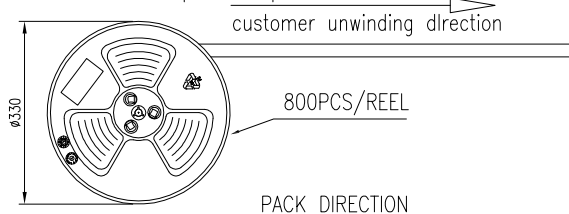
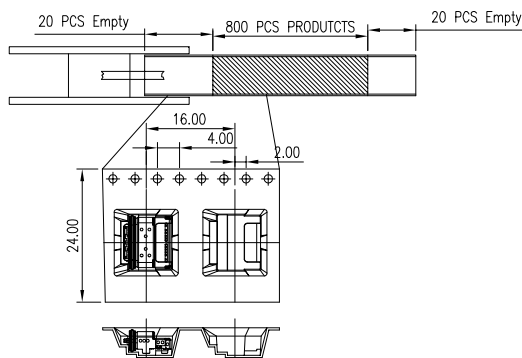
1. Colplanarity: 0.08最大红外线前., 0.10mm MAX
2. 舌PIN的位置: IR前: 0.08mm MAX; IR后0.12mm MAX;
3. P/N: 82224
4. 包装方式: 载带包装
5. 接触区和焊接区无毛刺, 除特说明, 冲压毛刺为0.05mm MAX.
6. 未标注尺寸公差为依自由公差为准.
7. 成品端子平面度必须100%检测.
8. 成品可靠性测试要求参照规格书.
9. 产品满足 ROHS 2.0
10. 电流5A
11. 电压20V
12. 最高温度260° C
13. 插拔寿命10000 CYCLES
12. 使用温度-35° C+85° C

12. 插入力6N-20N 拔出力8N-20N
13. 常规触点镀金15U

Front&Back Laser point 2X5



9	密封胶	1PCS	硅胶, 依照客户需求
8	胶水	1PCS	硅胶, 黑色(MicroCoat 423-06)
7	外壳	1PCS	SUS304, T=0.15. 镀镍50u" MIN.
6	内拉伸壳	1PCS	SUS304, T=0.20. 镀镍50u" MIN.
5	EMI拉伸壳	1PCS	SUS304, T=0.12. 镀镍50u" MIN.
4	上排端子	1SET	C18140, T=0.12. 底层镀镍 50-100u", 功能接触区单面
3	下排端子	1SET	刷镀 Au 30u", 焊接区双面镀金 G/F.
2	中板	1PCS	SUS301-1/4 H, 镀镍50u" MIN.
1	塑胶	1PCS	PA46 (HF315) BLACK
项目	组成部件	用量	材质/处理



Bestcreate Technology Limited

TOLERANCES UNLESS OTHERWISE SPECIFIED:

.X	± 0.30	.X"	± 2"
.XX	± 0.20	.X"	± 1"
.XXX	± 0.10	.X"	± 0.5"

Website: www.bsc-elec.com
Email: bestcreate@bsc-elec.com

DESIGN: I. L

DATE:

CHECKED: C. W

DATE:

APPROVED: C. W

DATE:

TITLE:

IP68 Waterproof USB C Female Connector SMT

MATERILA:

PART NO:

U06-CFXX5R-W073

SIZE: A4

FINSH:

DWG NO:

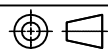
U06-CFXX5R-W073

REV: A

UNIT mm

SCALE 1=1

QUALITY SYMBOLS



1

2

3

4

5

6

7

8