

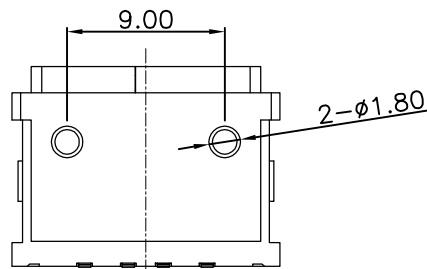
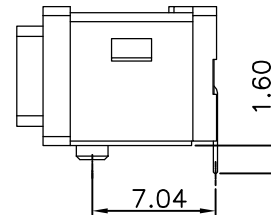
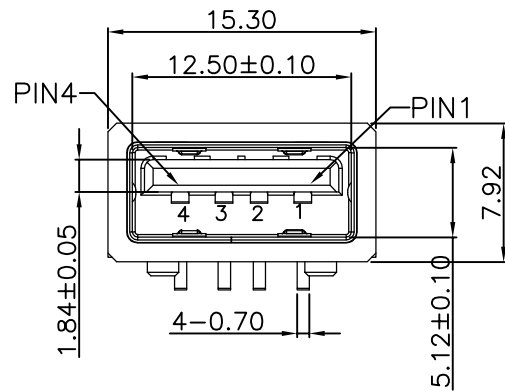
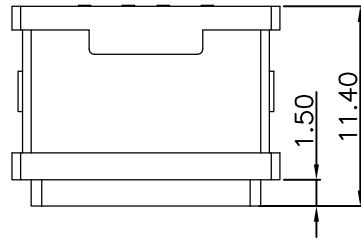
RoHS Compliant

REVISIONS			
REV.	DESCRIPTION	DATE	DESIGN

NOTES:

SPECIFICATION:

- CURRENT RATING: 3.0A MAX
- DIELECTRIC WITHSTAND VOLTAGE: 100VAC
- TEMPERATURE RANGE: -30 °C ~ 85 °C
- CONTACT RESISTANCE: 40 MILLIONHM MAX
- INSULATION RESISTANCE: 100 MEGOHMS MIN.
- INSERTION FORCE :10N~30N
- UNMATING FORCE: 8N~30N
- DURABILITY:1500 CYCLES



4	Shell	1	SUS 301 1/4H
3	PLASTIC Shell	1	PA10T (G.F30%)
2	Contact	4	BRASS C2680-EH Au/Ni Plating T=0.25mm
1	Housing	1	PA10T (G.F30%)
ITEM	PART NAME	Q' TY	FINISH

PART NO. INFORMATION

U01-A F X X 5 R - W004

PORT TYPE B: TYPE A	PACKAGE R: TAPE REEL T: TRAY
GENDER F: FEMALE M: MALE	HOUSING COLOR 2: WHITE 5: BLACK 9: NATURE
CONTACT PLATED 1: GOLD FLASH 2: GOLD 3U" 3: GOLD 5U" 4: GOLD 10U" 5: GOLD 15U" 6: GOLD 30U"	HOUSING MATERIAL A: LCP B: PBT C: PA9T D: PA6T E: PA46 F: PA66 G: PA10T

Bestcreate Technology Limited

TOLERANCES UNLESS OTHERWISE SPECIFIED:

X.	± 0.50	X.*	± 2'
.X	± 0.30	.X*	± 1'
.XX	± 0.10	.XX*	± 0.5'

Website:www.bsc-elec.com
Email:bestcreate@bsc-elec.com

DESIGN: I.L DATE: 2017. 3. 1

CHECKED: C.W DATE: 2017. 3. 1

APPROVED: C.W DATE: 2017. 3. 1

TITLE: IP67 USB 2.0 A FEMALE CONNECTOR

MATERILA: PART NO: U01-AFXX5R-W004 SIZE: A4

FINSH: DWG NO: U01-AFXX5R-W004

REV: A UNIT mm SCALE 1=1 QUALITY SYMBOLS

1

2

3

4

5

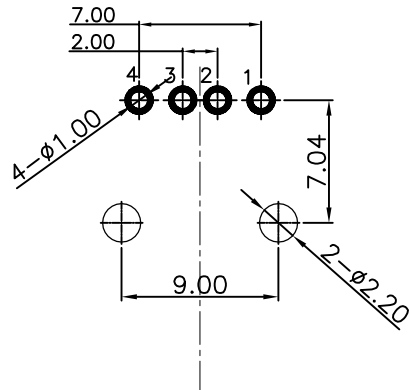
6

7

8

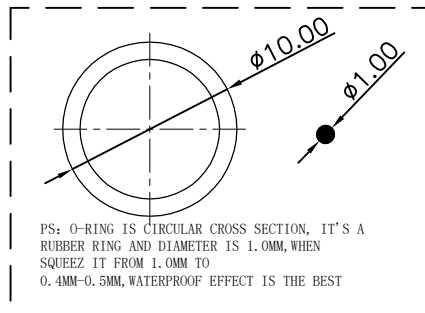
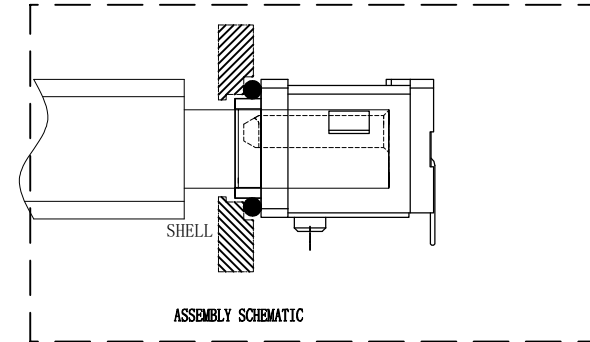
RoHS Compliant

REVISIONS			
REV.	DESCRIPTION	DATE	DESIGN



RECOMMENDED PCB LAYOUT(TOP VIEW)

THICKNESS T=1.0mm
 DEFAULT TOLERANCE+/-0.05



PS: O-RING IS CIRCULAR CROSS SECTION, IT'S A RUBBER RING AND DIAMETER IS 1.0MM, WHEN SQUEEZ IT FROM 1.0MM TO 0.4MM-0.5MM, WATERPROOF EFFECT IS THE BEST

PIN ASSIGNMENT

PIN NO.	1	2	3	4
SINGAL NAME	VBUS	D-	D+	GND

Bestcreate Technology Limited

TOLERANCES UNLESS OTHERWISE SPECIFIED:

X.	± 0.50	X.*	± 2*
.X	± 0.30	.X*	± 1*
.XX	± 0.10	.XX*	± 0.5*

DESIGN: I. L DATE: 2017.3.1

CHECKED: C. W DATE: 2017.3.1

APPROVED: C. W DATE: 2017.3.1

TITLE: IP67 USB 2.0 A FEMALE CONNECTOR

MATERILA: PART NO: U01-AFXX5R-W004 SIZE: A4

FINSH: DWG NO: U01-AFXX5R-W004

REV: A	UNIT mm	SCALE 1=1	QUALITY SYMBOLS
--------	---------	-----------	-----------------

Website:www.bsc-elec.com
 Email:bestcreate@bsc-elec.com