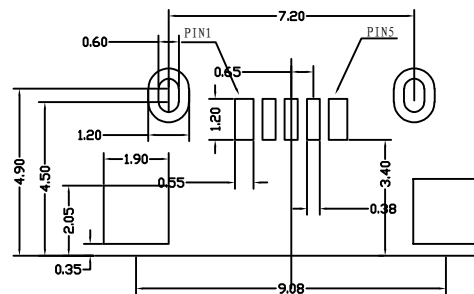
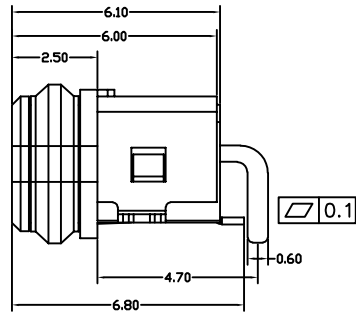
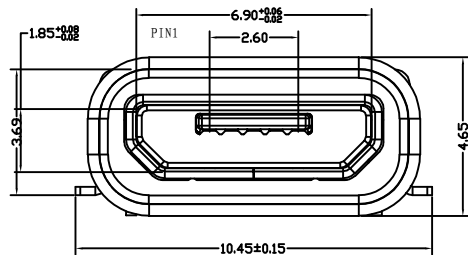
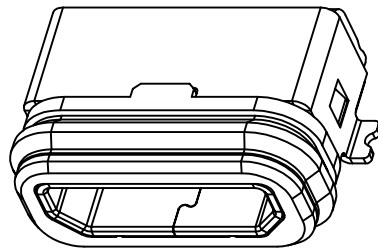
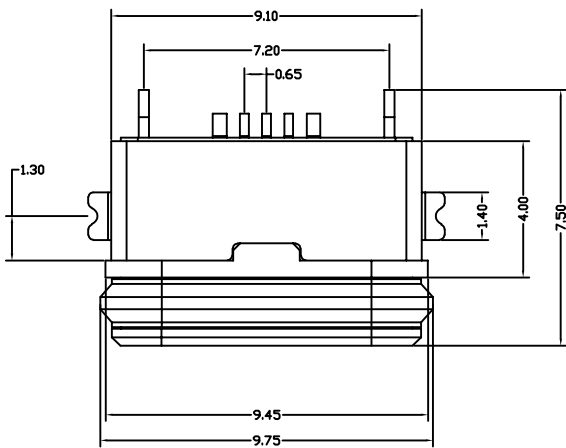


RoHS Compliant

REVISIONS			
REV.	DESCRIPTION	DATE	DESIGN

- Note:
- Material:
    - Housing: High temperature thermoplastic
    - Contact: copper alloy, t=0.20mm
    - Shell: SUS304, t=0.30mm
    - cover: High temperature thermoplastic
    - out Shell: SUS304 T=0.25
    - Ring: SILICON
    - Epoxy: Epoxy
  - Specification:
    - Current rating: 1,5PIN 2.0A Max/2,3,4PIN 1A Max.
    - Dielectric withstanding voltage: 100 V(ac) for 1 min.
    - Contact resistance: 30 mΩ Max.
    - Insulation resistance: 100 MΩ Min.
    - Total mating force: 3.57 Kg Max.
    - Total unmating force: 1.0 Kg Min.
    - Temperature range: -30°C~80°C
    - Waterproof: IPX 7.



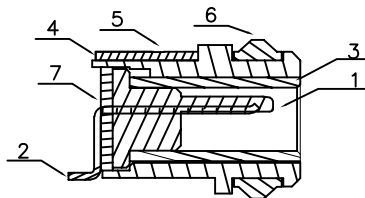
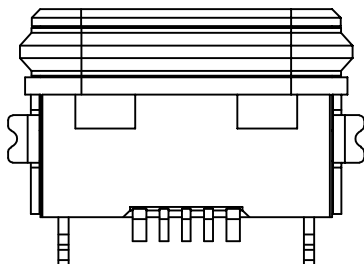
RECOMMEND PCB LAYOUT

PART NO. INFORMATION

PCB图仅供参考

U01-B F X X 5 R - W004

- PORT TYPE: B: TYPE B
- GENDER: F: FEMALE, M: MALE
- CONTACT PLATED: 1: GOLD FLASH, 2: GOLD 3U'', 3: GOLD 5U'', 4: GOLD 10U'', 5: GOLD 15U'', 6: GOLD 30U''
- PACKAGE: R: TAPE REEL
- HOUSING COLOR: 2: WHITE, 5: BLACK, 9: NATURE
- HOUSING MATERIAL: A: LCP, B: PBT, C: PA9T, D: PA6T, E: PA46, F: PA66



Bestcreate Technology Limited

TOLERANCES UNLESS OTHERWISE SPECIFIED:			
.X	± 0.30	X*	± 10°
.XX	± 0.20	.X*	± 8°
.XXX	± 0.15	.XX*	± 5°
Website: www.bsc-elec.com			
E-mail: bestcreate@bsc-elec.com			

DESIGN: I. L	DATE: 2017/3/1
CHECKED: C. W	DATE: 2017/3/1
APPROVED: C. W	DATE: 2017/3/1

TITLE: WATERPROOF MICRO USB 5P B TYPE FEMALE		
MATERIAL: U01-BFXX5R-W004	PART NO: U01-BFXX5R-W004	SIZE: A4
FINISH: U01-BFXX5R-W004	DWG NO: U01-BFXX5R-W004	SHEET: 1 OF 1

REV: A	UNIT: mm	SCALE: 1=1	QUALITY SYMBOLS
--------	----------	------------	-----------------