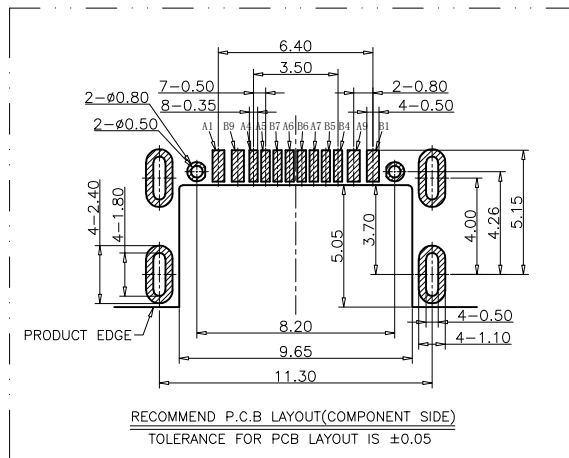
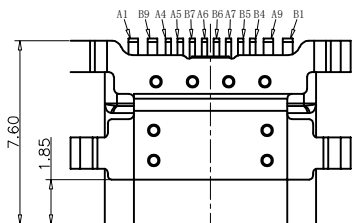


RoHS Compliant



REVISIONS			
REV.	DESCRIPTION	DATE	DESIGN

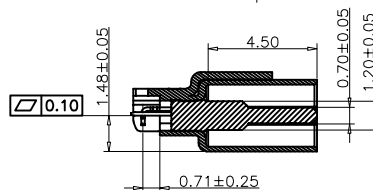
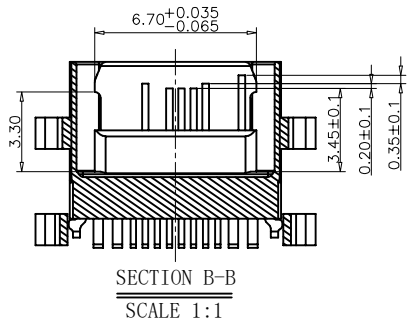
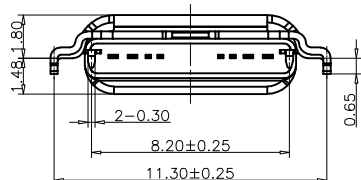
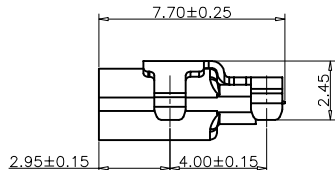
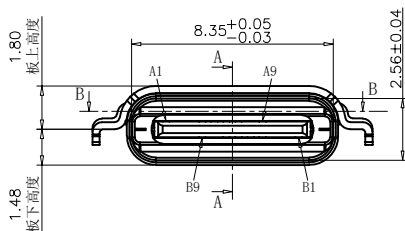


NOTE:

- ELECTRICAL:
  - CONTACT: CONTACT RESISTANCE 40mΩ Max, 10mΩ LESS OR MORE IS ALLOWED. TEST CONDITION: 20mv, 100mA .
  - CURRENT ON CONTACT: 3A VBUS PIN-OUT; 1.25A FOR GND ; 0.25A FOR OTHERS.
  - RATED VOLTAGE: 30V.
  - WITHSTAND VOLTAGE: 100VR.M.S.
  - INSULATION RESISTANCE: AT LEAST 100megohm .
- MECHANICAL:
  - MATING FORCE: 0.51-2.04Kg
  - UNMATING FORCE: 0.82-2.04Kg
  - DURABLENESS: 0.61-2.04Kg
  - LIFETIME: 10000 TIMES.
  - WORKING TEMPERATURE: -20°C to +85°C.

USB TYPE C PIN ASSIGNMENTS

PIN NUMBER	SIGNAL NAME	PIN NUMBER	SIGNAL NAME
A1	GND		
A4	VBUS	B9	VBUS
A5	CC1		
A6	Dp1	B7	Dn2
A7	Dn1	B6	Dp2
		B5	CC2
A9	VBUS	B4	VBUS
		B1	GND



PART NO. INFORMATION

U06-C F X X 5 R - W033

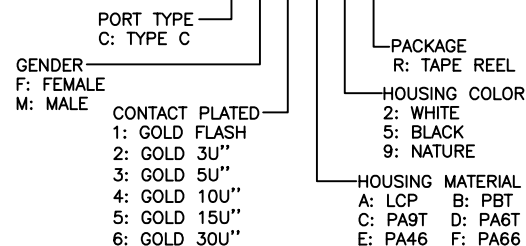


TABLE:

NO	PART	Q'TY	Material
1	SHELL-1	1	STAINLESS STEEL,Ni PLATED 30u"Min
2	SHELL-2	1	STAINLESS STEEL,Ni PLATED 30u"Min
3	CONTACT	12	COPPER STEEL,Ni 50u"Min;Au u"
4	MID PLATE	1	STAINLESS STEEL,NO PLATING
5	MD HOUSING	1	HIGH TEMPERATURE RESISTANT PLASTIC BLACK UL94 V-0

**Bestcreate Technology Limited**

TOLERANCES UNLESS OTHERWISE SPECIFIED:

.XX	± 0.20	.X'	± 5'
.XX	± 0.15	.X'	± 2'
.XXX	± 0.10	.XX'	± 1'

DESIGN: I. L DATE:

CHECKED: C. W DATE:

APPROVED: C. W DATE:

TITLE: IPX7 WATERPROOF 12P USB TYPE C FEMALE CONNECTOR,L=7.65MM

MATERILA: PART NO: U06-CFXX5R-W033 SIZE: A4

FINSH: DWG NO: U06-CFXX5R-W033

REV: A UNIT mm SCALE 1=1 QUALITY SYMBOLS

Website:www.bsc-elec.com Email:bestcreate@bsc-elec.com