

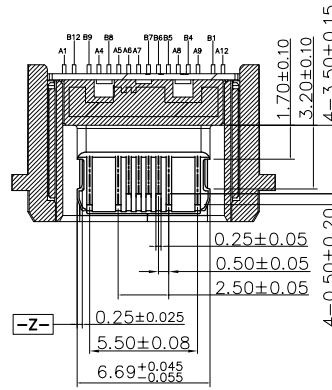
RoHS Compliant

REVISIONS

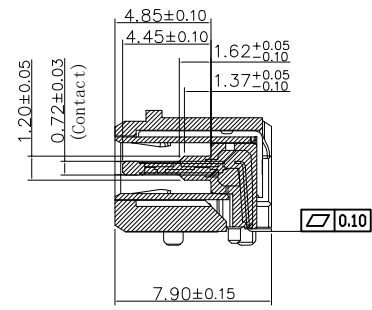
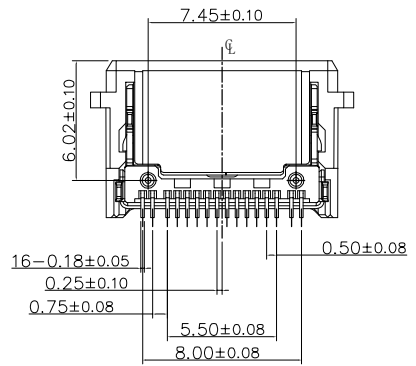
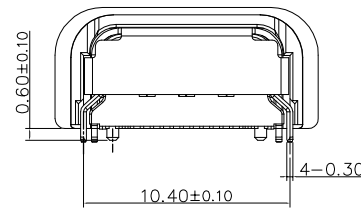
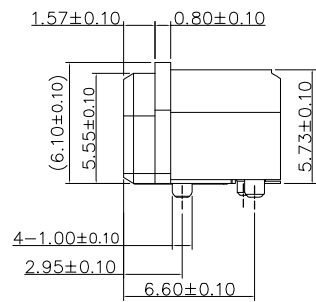
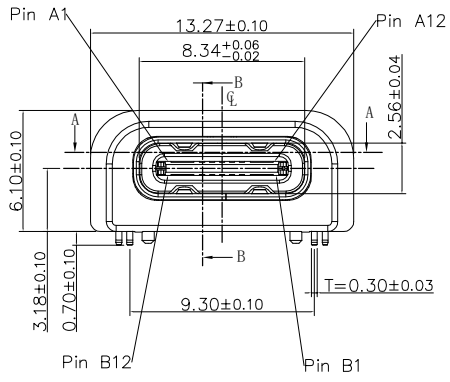
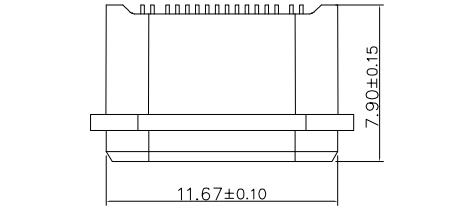
REV.	DESCRIPTION	DATE	DESIGN

NOTE:

- Material:
 - All Housing: LCP(Polyplastics),Black,Thermoplastics,UL94V-0
 - Insulation Jacket: LCP(Polyplastics),Black,Thermoplastics,UL94V-0
 - Contact: Copper Alloy
 - Mid Plate: Stainless Steel
 - Outer Shell: Stainless Steel
 - Inner Shell: Stainless Steel
- FINISH:
 - Contact: Au 3u" Min.
 - Au 1u" Min. on Solder Area
 - 80~200u" Nickel Underplating Over All
 - Mid-Plate: 40~200u" Nickel Over All
 - Inner & Outer Shell: 40~200u" Nickel Over All
- Outer Shell (Insulator) Minimum Thickness 0.40mm
- Electrical Characteristics:
 - Current Rating: 5A For Pin(A4,A9,B4,B9)
 - 1.25A For Pin(A1,A12,B1,B12,B5)
 - 0.25A For Others Pin
 - Insulation Resistance: 100MΩ Min.
 - Contact Resistance: 50 mΩ Max.
 - Dielectric Withstanding Voltage: 500V AC/0.1S/0.1mA
- Mechanical Characteristics:
 - Insertion Force: 5~20N
 - Extraction Force: Initial: 8~20N
 - After durability: 6~20N
 - Durability :10000 Cycles
- Operating Temperature: -30°C TO +85°C
- 防水等级IPX4



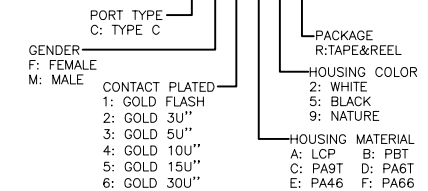
SECTION A-A



SECTION B-B

PART NO. INFORMATION

U06-C F X X 5 R - W070



Bestcreate Technology Limited

TOLERANCES UNLESS OTHERWISE SPECIFIED:

.X	± 0.30	X.*	± 2"
.XX	± 0.10	.X*	± 1"
.XXX	± 0.05	.XX*	± 0.5"

Website: www.bsc-elec.com
Email: bestcreate@bsc-elec.com

DESIGN: I. L DATE:

CHECKED: C. W DATE:

APPROVED: C. W DATE:

TITLE: IPX4 Waterproof 16P USB C Female Connector SMT, CH=3.18mm

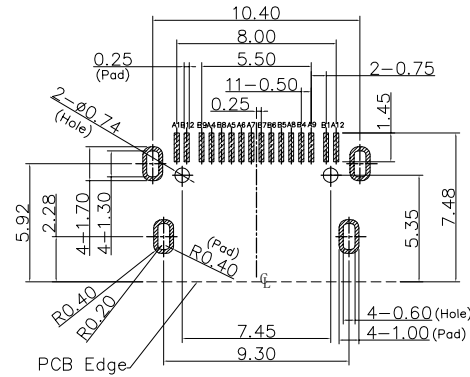
MATERIAL: PART NO: U06-CFXX5R-W070 SIZE: A4

FINISH: DWG NO: U06-CFXX5R-W070

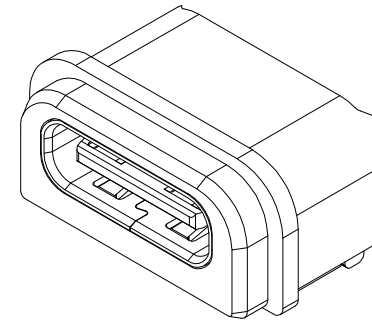
REV: A	UNIT mm	SCALE 1=1	QUALITY SYMBOLS
--------	---------	-----------	-----------------

RoHS Compliant

REVISIONS			
REV.	DESCRIPTION	DATE	DESIGN



Recommended PCB Layout
General Tolerance ± 0.05
▨ Pad Area
Top View



PIN ASSIGNMENT

PIN NUMBER	SIGNAL NAME	PIN NUMBER	SIGNAL NAME
A1	GND	B12	GND
A2	TX1+	B11	RX1+
A3	TX1-	B10	RX1-
A4	VBUS	B9	VBUS
A5	CC1	B8	SBU2
A6	D+	B7	D-
A7	D-	B6	D+
A8	SBU1	B5	CC2
A9	VBUS	B4	VBUS
A10	RX2-	B3	TX2-
A11	RX2+	B2	TX2+
A12	GND	B1	GND

9	UP Terminal	Copper alloy	C Note.2	1SET
8	Down Terminal	Copper alloy	Note.2	1SET
7	Insulation Jacket	LCP E130i BK UL 94V-0, HF		1PCS
6	Down Molding			1PCS
5	Up Molding			1PCS
4	Second Molding			1PCS
3	Mid-Plate	Stainless Steel	B Note.2	1PCS
2	Inner Shell	Stainless Steel	Note.2	1PCS
1	Outer Shell	Stainless Steel	Note.2	1PCS
项次	品称	材料	表面处理	备注

Bestcreate Technology Limited

TOLERANCES UNLESS OTHERWISE SPECIFIED:

.X	± 0.30	.X*	$\pm 2^*$
.XX	± 0.10	.X*	$\pm 1^*$
.XXX	± 0.05	.XX*	$\pm 0.5^*$

DESIGN: I. L DATE:

CHECKED: C. W DATE:

APPROVED: C. W DATE:

TITLE: IPX4 Waterproof 16P USB C Female Connector SMT, CH=3.18mm

MATERILA:	PART NO: U06-CFXX5R-W070	SIZE: A4
FINSH:	DWG NO: U06-CFXX5R-W070	

REV: A	UNIT mm	SCALE 1=1	QUALITY SYMBOLS	
--------	---------	-----------	-----------------	--

Website: www.bsc-elec.com
Email: bestcreate@bsc-elec.com