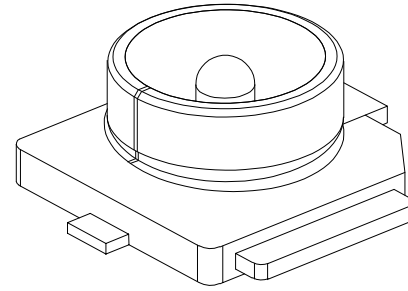
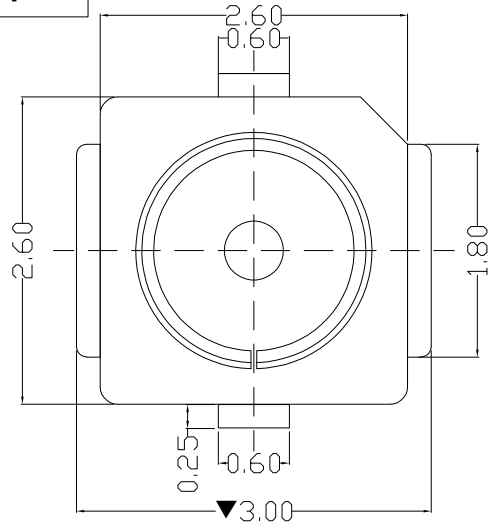


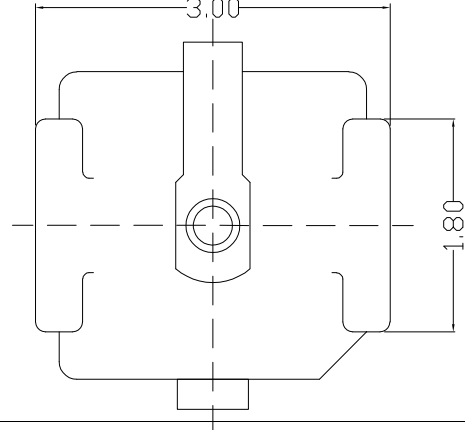
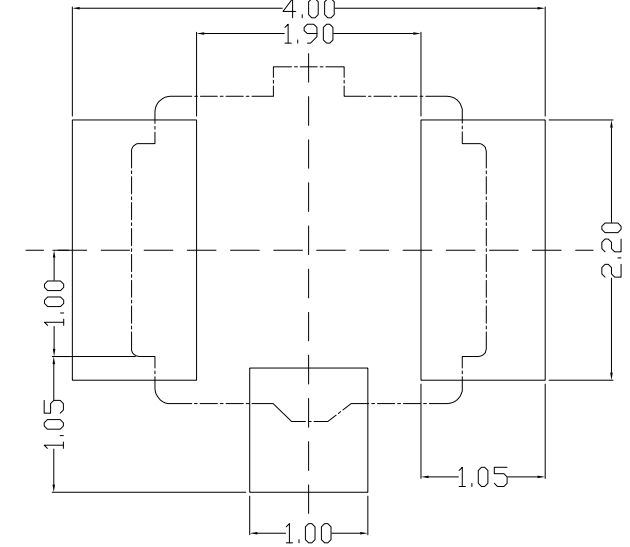
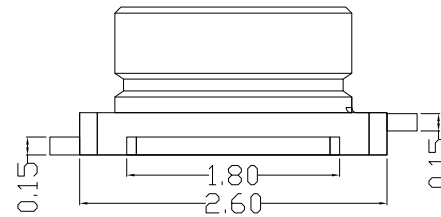
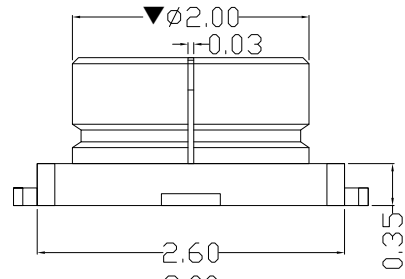
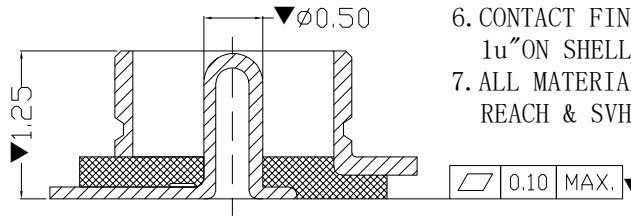
RoHS Compliant

REVISIONS			
REV.	DESCRIPTION	DATE	DESIGN



NOTE: UNLESS OTHERWISE SPECIFIED

1. DIMENSION SHALL BE INTERPRETED PER ANSI Y14, 5M-1994
2. DIMENSION MARKED WITH "▼" SHOULD SPECIFIED ON INSPECTION PLAN.
3. CONTACT RETENTION FORCE: 0.4N MIN.
4. CONTACT MATERIAL: COPPER ALLOY.
5. INSULATOR: HIGH TEMPERATURE PLASTIC UL94 V-0.
6. CONTACT FINISH: GOLD PLATED 1u" ON MATING AREA, GOLD FINISH 1u" ON SHELL, ALL OVER 50u" NICKEL UNDER PLATED.
7. ALL MATERIAL MEET RoHS SPECIFICATION AND IN CONFORMITY WITH REACH & SVHC STANDARD STIPULATIONS.



WEIGHT: 0.0155g

1	ITEM	PART NUMBER	DESCRIPTION	QTY
1			MHF series micro coaxial connector plug vertical (ground contact: gold plating)	1

Bestcreate Technology Limited

TOLERANCES UNLESS OTHERWISE SPECIFIED:			
X.	±	0.30	X.* ± 3'
.X	±	0.15	.X.* ± 2'
.XX	±	0.10	.XX.* ± 1'

DESIGN:	DATE:
I. L	2017. 3. 1
CHECKED:	DATE:
C. W	2017. 3. 1
APPROVED:	DATE:
C. W	2017. 3. 1

TITLE:		
RF HEADER (U. FL)		
MATERIAL:	PART NO:	SIZE:
	RF1006-A001	A4
FINISH:	DWG NO:	SHEET
	RF1006-A001	1 OF 2

REV: A	UNIT: mm	SCALE: 1=1	QUALITY SYMBOLS
--------	----------	------------	-----------------

Website: www.bsc-elec.com
Email: bestcreate@bsc-elec.com

