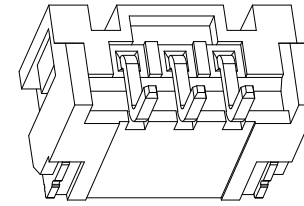


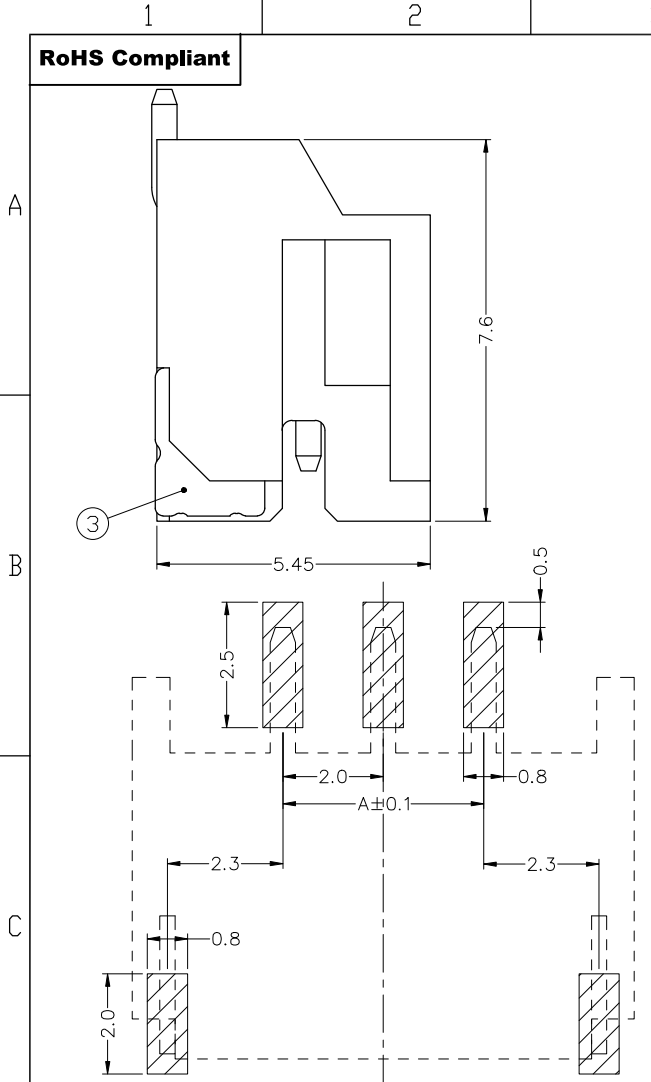
RoHS Compliant

REVISIONS			
REV.	DESCRIPTION	DATE	DESIGN

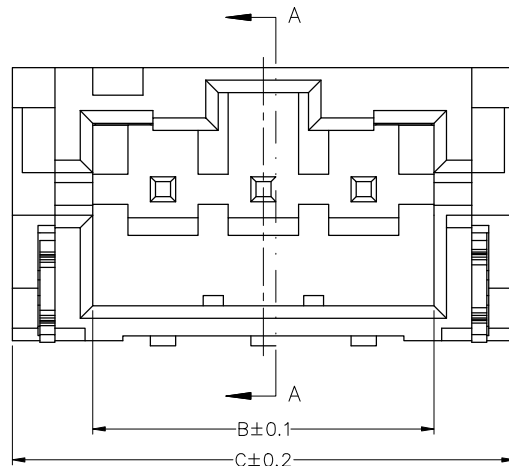
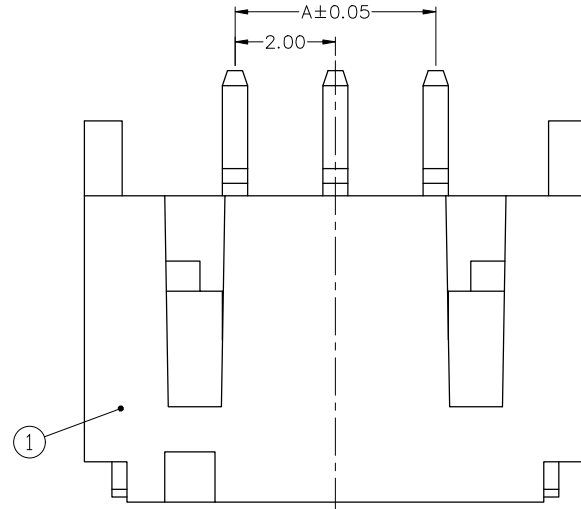
PIN	DIM A	DIM B	DIM C
2	2.00	4.80	8.00
3	4.00	6.80	10.00
4	6.00	8.80	12.00
5	8.00	10.80	14.00
6	10.00	12.80	16.00
7	12.00	14.80	18.00
8	14.00	16.80	20.00
9	16.00	18.80	22.00
10	18.00	20.80	24.00
11	20.00	22.80	26.00
12	22.00	24.80	28.00



Electrical
 rated current: 1A AC(rms)/DC
 nominal voltage: 100V AC(rms)/DC
 Dielectric Withstanding Voltage: 500V AC/rms
 Contact Resistance: $\leq 20 \text{ m}\Omega$ max(initial)
 Insulation Resistance: 500 M Ω min
 Operating Temp: $-20^\circ\text{C} \sim +85^\circ\text{C}$

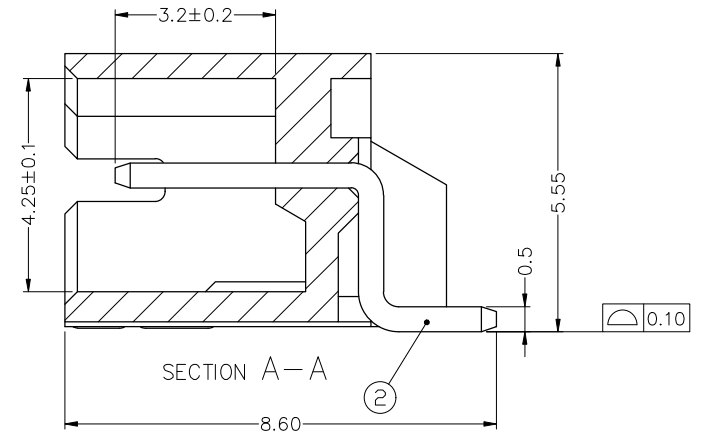


PC BOARD LAYOUT



PART NO. WTB20-XX01X-B001

NO. OF CONTACTS _____ PACKAGE
 T: TUBE
 R: TAPE & REEL
 PLATING _____
 O: TIN
 1: GOLD FLASH
 1: ROHS
 2: HALOGEN FREE



SERIAL NUMBER	NAMER	MATERIALS	PART NUMBER
③	FITTING	PHOSPHOR BRONZE	PDR-20-AK
②	TERMINAL	BRASS	PDK-20-ADZ
①	HOUSING	LCP(NATURAL)UL94V-0	L25D-NY

Bestcreate Technology Limited

TOLERANCES UNLESS OTHERWISE SPECIFIED:			
.X	± 0.25	.X'	± 3'
.XX	± 0.20	.X''	± 2'
.XXX	± 0.15	.XXX'	± 1'

Website: www.bsc-elec.com
 Email: bestcreate@bsc-elec.com

DESIGN:	DATE:
I. L	2017. 3. 1
CHECKED:	DATE:
C. W	2017. 3. 1
APPROVED:	DATE:
C. W	2017. 3. 1

TITLE:		
2.0MM WIRE TO BOARD CONNECTOR HORIZONTAL SMT		
MATERILA:	PART NO:	SIZE:
	WTB20-XX01X-B001	A4
FINSH:	DWG NO:	SHEE:
	WTB20-XX01X-B001	1 OF 1

REV:	UNIT	SCALE	QUALITY SYMBOLS
A	mm	1=1	