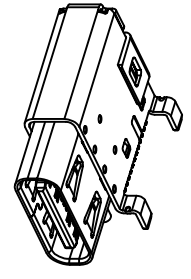
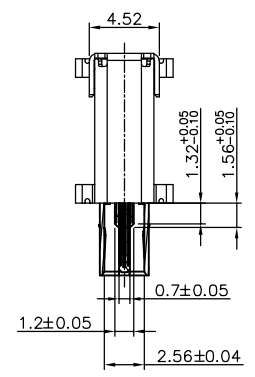
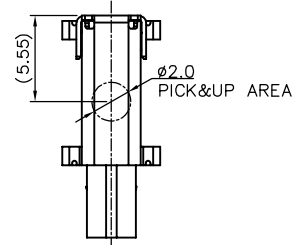


RoHS Compliant

REVISIONS			
REV.	DESCRIPTION	DATE	DESIGN



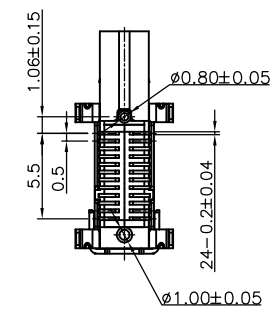
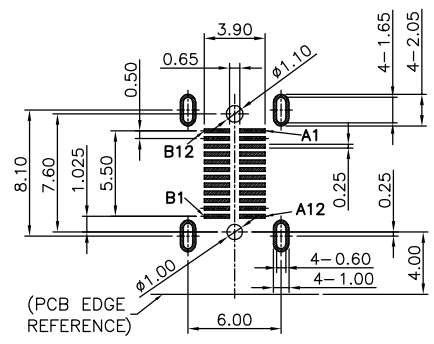
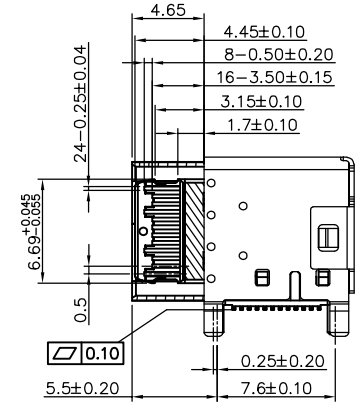
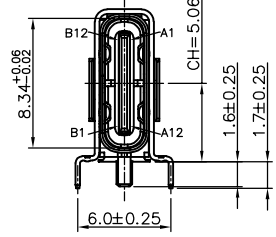
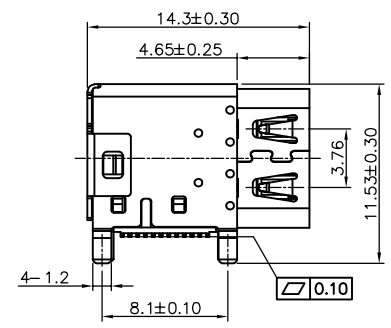
**MATERIALS**

- HOUSING : LCP (UL 94V-0), BLACK.
- TERMINAL : COPPER ALLOY,C18400 T=0.12  
GOLD 3u"PLATED ON CONTACT AREA.  
GOLD FLASH PLATING ON SOLDER TAIL.  
NICKEL UNDERPLATED OVER ALL.
- MID PLATE : STAINLESS STEEL SUS301 T=0.15
- SHELL : STAINLESS STEEL,SUS301 T=0.30 NICKEL PLATING.
- EMI : STAINLESS STEEL,SUS304 T=0.10

**SPECIFICATION**

- CURRENT RATING : 5.0A FOR Vbus PIN,  
1.25A FOR Vconn PIN,  
0.25A FOR OTHER PINS.
- CONTACT RESISTANCE : 40mΩ.
- INSULATION RESISTANCE : 100MΩ MIN.
- DIELECTRIC WITHSTANDING VOLTAGE : 100 VAC MIN.
- OPERATING TEMPERATURE : -40°C TO +85°C.
- MATING FORCE : 5~20N.
- UNMATING FORCE : 8~20N.
- DURABILITY : 10,000 CYCLES.
- RECOMMENDED PROCESS :  
THE PEAK TEMPERATURE ON THE BOARD SHALL  
MAINTAIN 260°C.
- HIGH FREQUENCY 40G
- PART NUMBER CODE:

1	U06-40CF1ASR-003	SEE BLACK SECTION FREE AT 30° IN CONTACT, 0.1" IN OPEN AREA.	TAPE&REEL
NO	P/N	SPECIFICATION	PACKAGE



**PART NO. INFORMATION**

**U06-40 C F X X 5 R - 003**

- PORT TYPE  
C: TYPE C
- GENDER  
F: FEMALE  
M: MALE
- CONTACT PLATED  
1: GOLD FLASH  
2: GOLD 3U"  
3: GOLD 5U"  
4: GOLD 10U"  
5: GOLD 15U"  
6: GOLD 30U"
- PACKAGE  
R: TAPE REEL
- HOUSING COLOR  
2: WHITE  
5: BLACK  
9: NATURE
- HOUSING MATERIAL  
A: LCP B: PBT  
C: PA9T D: PA6T  
E: PA46 F: PA66

**PIN ASSIGNMENT:**

PIN	Signal Name	PIN	Signal Name
A1	GND	B12	GND
A2	SSTxp1	B11	SSRXp1
A3	SSTxn1	B10	SSRXn1
A4	Vbus	B9	Vbus
A5	CC1	B8	SBU2
A6	Dp1	B7	DN2
A7	Dn1	B6	DP2
A8	SBU1	B5	CC2
A9	Vbus	B4	Vbus
A10	SSRXn2	B3	SSTxn2
A11	SSRXp2	B2	SSTxp2
A12	GND	B1	GND

RECOMMENDED P.C.B LAYOUT  
TOLERANCE ± 0.05mm (TOP VIEW)

**Bestcreate Technology Limited**

TOLERANCES UNLESS OTHERWISE SPECIFIED:			
.X	± 0.30	.X'	± 5'
.XX	± 0.20	.X''	± 2'
.XXX	± 0.10	.XX'	± 1'
Website:www.bsc-elec.com Email:bestcreate@bsc-elec.com			

DESIGN:	I. L	DATE:	
CHECKED:	C. W	DATE:	
APPROVED:	C. W	DATE:	

TITLE: USB 4.0 TYPE C 24P FEMALE CONNECTOR UPRIGHT TYPE, 40G GEN2		
MATERILA:	PART NO: U06-40CFXX5R-003	SIZE: A4
FINSH:	DWG NO: U06-40CFXX5R-003	1 OF 1

REV: A	UNIT mm	SCALE 1=1	QUALITY SYMBOLS
--------	---------	-----------	-----------------