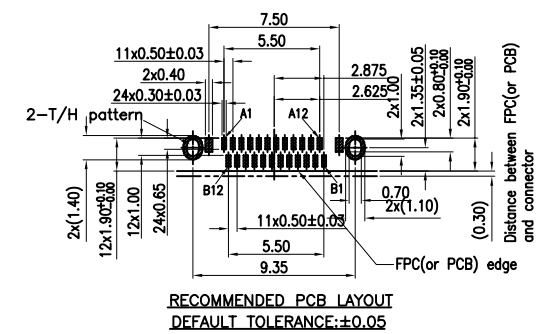
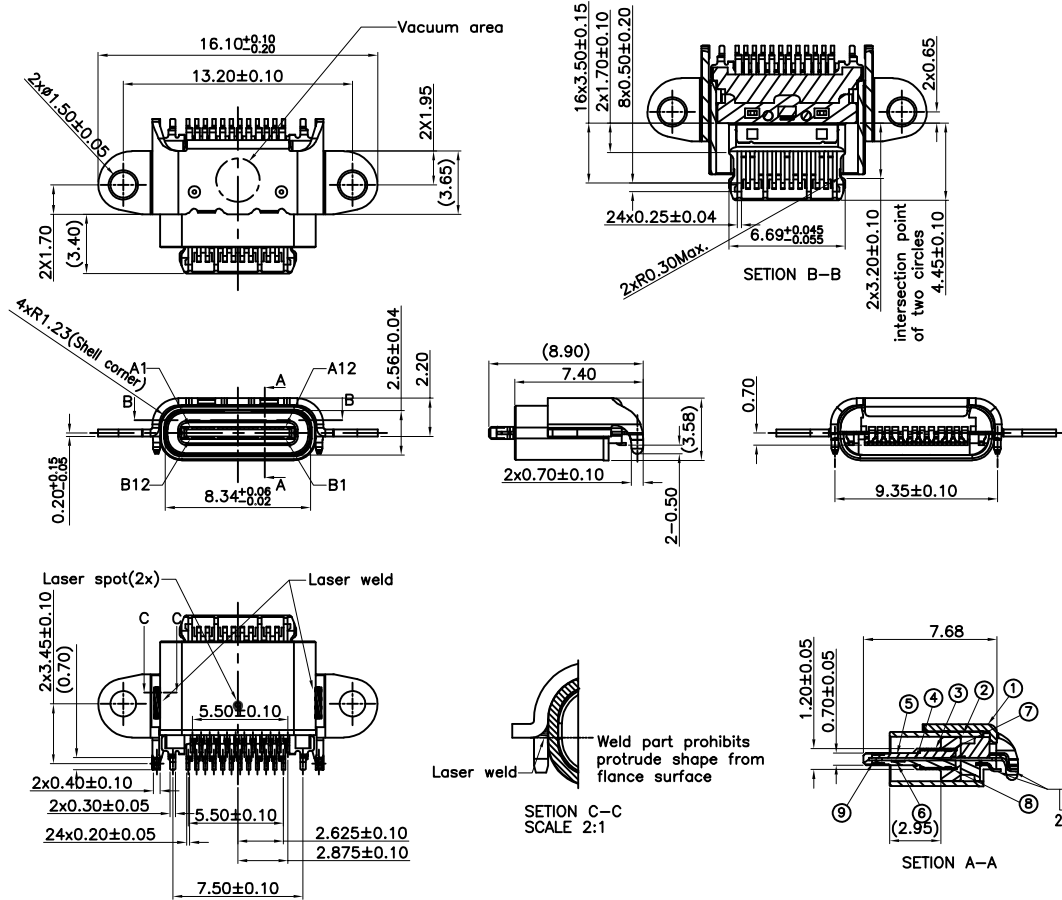


RoHS Compliant

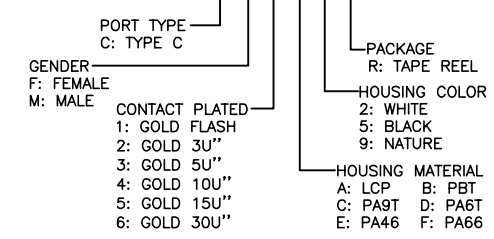
REVISIONS			
REV.	DESCRIPTION	DATE	DESIGN



Item	Title	Material	Dispose
1	Frame	Stainless Steel, T=0.40	Ni:40u" Min.
2	Shell	Stainless Steel, T=0.30	Ni:40u" Min.
3	GND Plate	Stainless Steel, T=0.10	None
4	Mid Plate	Stainless Steel, T=0.15	Ni 40u" Min.+Solder area: Au 1u" Min.
5	Top Contact	Copper Alloy, T=0.12	Mating Area: Ni 80u"+Au 15u" Min.
6	Bottom Contact	Copper Alloy, T=0.12	Solder Tails: Ni 80u"+Au 1u" Min.
7	Housing A	High Temperature Plastic	UL 94V-0/Black
8	Housing B	High Temperature Plastic	UL 94V-0/Black
9	Housing C	High Temperature Plastic	UL 94V-0/Black

PART NO. INFORMATION

**U06-40 C F X X 5 R - 004**



Remark:

1. PIN DEFINITION: (Some GND pins(A1,A12,B1,B12) and Mid Plate may connect together.)

Mid Plate	A1	A2	A3	A4	A5	A6	A7	A8	A9	A10	A11	A12
GND	TX1+	TX1-	VBus	CC1	D+	D-	SBU1	VBus	RX2-	RX2+	GND	
GND	RX1+	RX1-	VBus	SBU2	D-	D+	CC2	VBus	TX2-	TX2+	GND	
	B12	B11	B10	B9	B8	B7	B6	B5	B4	B3	B2	B1

**Bestcreate Technology Limited**

TOLERANCES UNLESS OTHERWISE SPECIFIED:			
.X	± 0.30	X.	± 5"
.XX	± 0.20	.X.	± 2"
.XXX	± 0.10	.XX.	± 1"

Website: www.bsc-elec.com  
 Email: bestcreate@bsc-elec.com

DESIGN: I. L	DATE:
CHECKED: C. W	DATE:
APPROVED: C. W	DATE:

TITLE: USB4.0 TYPE C 24P FEMALE CONNECTOR MID MOUNT, (40G)		
MATERIAL:	PART NO: U06-40CFXX5R-004	SIZE: A4
FINISH:	DWG NO: U06-40CFXX5R-004	1 OF 1

REV: A	UNIT: mm	SCALE: 1=1	QUALITY SYMBOLS
--------	----------	------------	-----------------