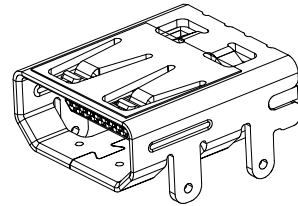
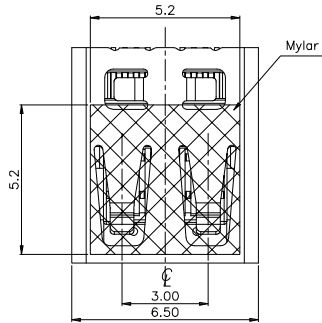


RoHS Compliant

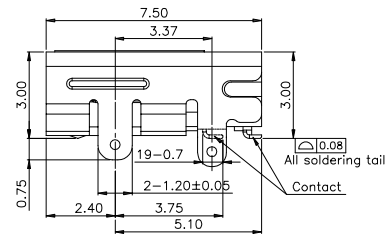
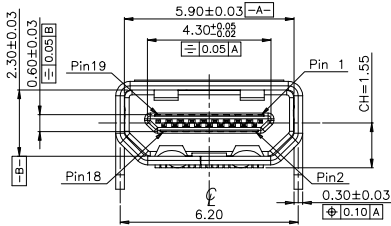
REVISIONS			
REV.	DESCRIPTION	DATE	DESIGN



PIN	Signal Assignment	PIN	Signal Assignment
1	Hot Plug Detect	2	Utility
3	TMDS Data2+	4	TMDS Data2 Shield
5	TMDS Data2-	6	TMDS Data1+
7	TMDS Data1 Shield	8	TMDS Data1-
9	TMDS Data0+	10	TMDS Data0 Shield
11	TMDS Data0-	12	TMDS Clock+
13	TMDS Clock Shield	14	TMDS Clock-
15	CEC	16	DDC/CEC Ground
17	SCL	18	SDA
19	+5V Power		

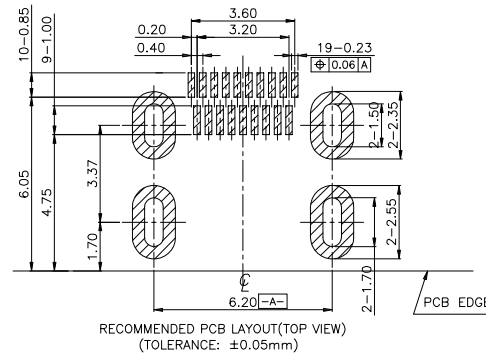
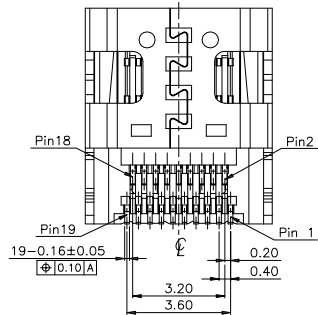
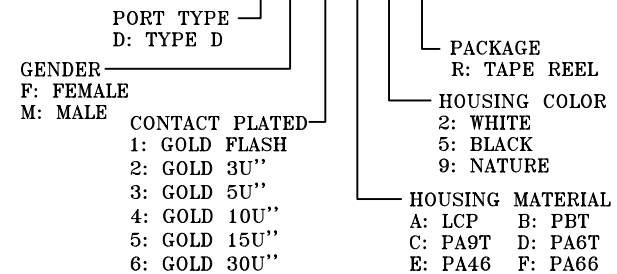
NOTE:

- MATERIALS AND FINISHED  
INSULATOR : LCP BK UL-94V0,  
COVER:LCP UL-94V0  
SHELL : BRASS, NICKEL PLATED  
CONTACT MATERIAL : BRASS, SELEVITE GOLD FINISHED
- ELECTRICAL CHARACTERISTICS  
CONTACT CURRENT RATING : 0.5 AMPS  
CONTACT VOLTAGE RATING:40VAC  
CONTACT RESISTANCE :20 MILLIOHMS MAX.  
DIELECTRIC WITHSTANDING VOLTAGE : 500 V AC MIN.  
INSULATION RESISTANCE : 100 MEGAOHMS MIN.
- MECHANICAL  
MATING FORCE:4.5Kgf MAX.  
UNMATING FORCE:1.0 Kgf MIN  
DURABILITY LIFE: 5,000 Cycles;
- ENVIRONMENTAL  
TEMPERATURE RATING : -20°C ~ +85°C
- HOW TO ORDER:



PART NO. INFORMATION

**HD01-D F X X 5 R - 003-V1**



**Bestcreate Technology Limited**

TOLERANCES UNLESS OTHERWISE SPECIFIED:

X.	± 0.50	X.*	± 3*
.X	± 0.25	.X*	± 2*
.XX	± 0.15	.XX*	± 1*

Tel/Whatsapp:0086-13712299763  
Skype: belle.wu3340

DESIGN: I. L  
DATE: 2017.3.1

CHECKED: C. W  
DATE: 2017.3.1

APPROVED: C. W  
DATE: 2017.3.1

TITLE: HDMI D TYPE FEMALE SMT SHELL DIP

MATERILA: PART NO: HD01-DFXX5R-003-V1 SIZE: A4

FINSH: DWG NO: HD01-DFXX5R-003-V1

REV:	UNIT	SCALE	QUALITY SYMBOLS
A	mm	1=1	

1

2

3

4

5

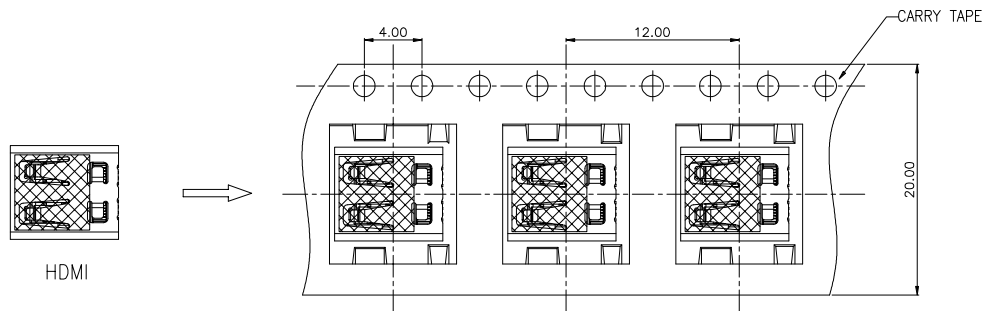
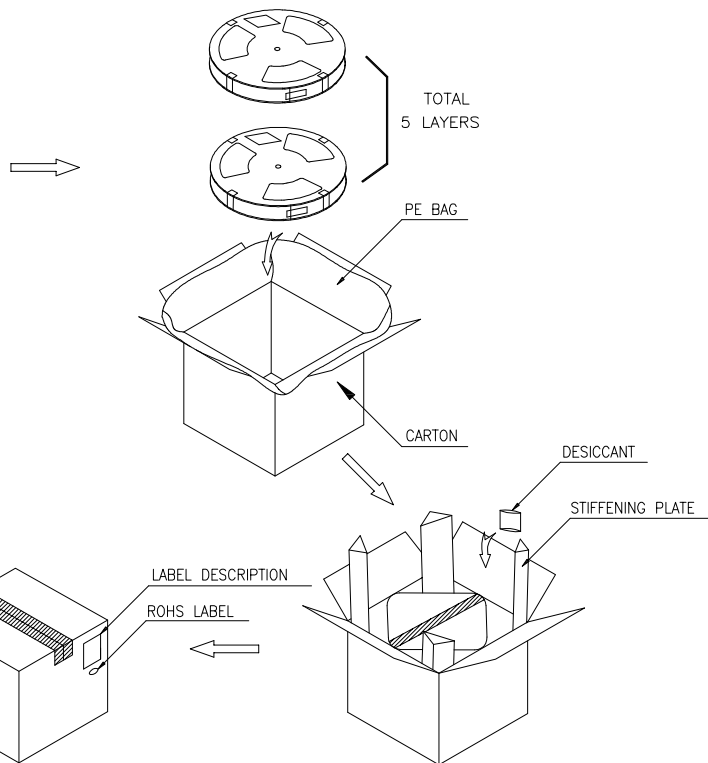
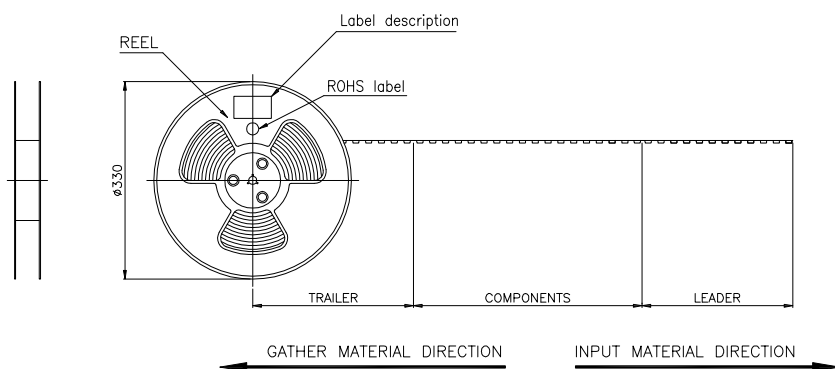
6

7

8

RoHS Compliant

REVISIONS			
REV.	DESCRIPTION	DATE	DESIGN



Notes:

1. The start and end of each reel, based on the actual quantity, reserved 10--15pcs space;
2. Peel off force of top tape: 10g~130g, peel deg.:165°~175°; peel speed: 250~300mm/min;
3. Carton size: 350\*350\*155mm.
4. QTY: 1000pcs/reel, 5reel/carton, total 5000pcs/carton;

**Bestcreate Technology Limited**

TOLERANCES UNLESS OTHERWISE SPECIFIED:

X.	± 0.50	X.*	± 3*
.X	± 0.25	.X*	± 2*
.XX	± 0.15	.XX*	± 1*

Tel/Whatsapp:0086-13712299763  
Skype: belle.wu3340

DESIGN: I. L  
DATE: 2017. 3. 1

CHECKED: C. W  
DATE: 2017. 3. 1

APPROVED: C. W  
DATE: 2017. 3. 1

TITLE: HDMI D TYPE FEMALE SMT SHELL DIP

MATERILA: PART NO: HD01-DFX5R-003-V1 SIZE: A4

FINSH: DWG NO: HD01-DFX5R-003-V1

REV: A	UNIT mm	SCALE 1=1	QUALITY SYMBOLS
--------	---------	-----------	-----------------