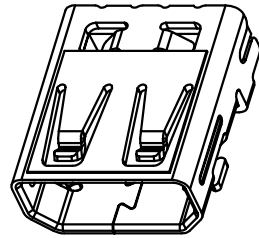
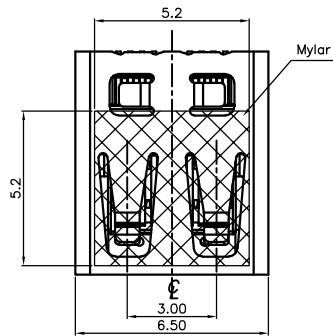


RoHS Compliant

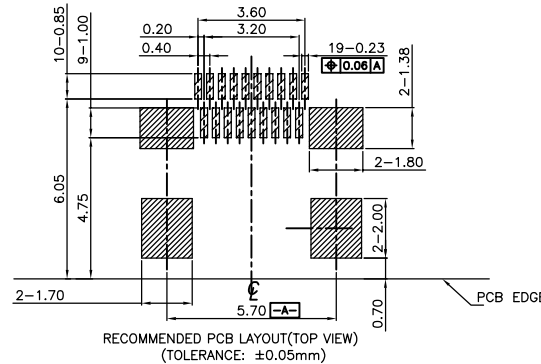
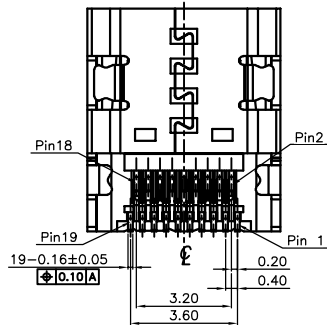
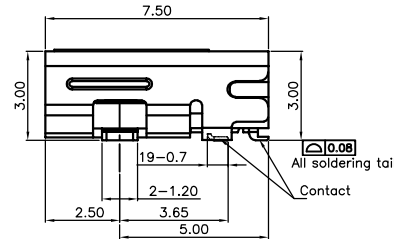
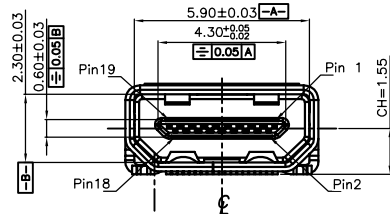
REVISIONS			
REV.	DESCRIPTION	DATE	DESIGN



PIN	Signal Assignment	PIN	Signal Assignment
1	Hot Plug Detect	2	Utility
3	TMDS Data2+	4	TMDS Data2 Shield
5	TMDS Data2-	6	TMDS Data1+
7	TMDS Data1 Shield	8	TMDS Data1-
9	TMDS Data0+	10	TMDS Data0 Shield
11	TMDS Data0-	12	TMDS Clock+
13	TMDS Clock Shield	14	TMDS Clock-
15	CEC	16	DDC/CEC Ground
17	SCL	18	SDA
19	+5V Power		

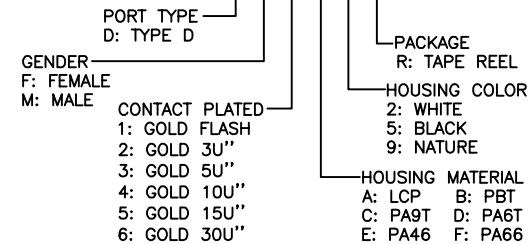
NOTE:

- MATERIALS AND FINISHED
INSULATOR : LCP BK UL-94V0,
COVER:LCP UL-94V0
SHELL : BRASS, NICKEL PLATED
CONTACT MATERIAL : BRASS, SELEVITE GOLD FINISHED
- ELECTRICAL CHARACTERISTICS
CONTACT CURRENT RATING : 0.5 AMPS
CONTACT VOLTAGE RATING:40VAC
CONTACT RESISTANCE :20 MILLIOHMS MAX.
DIELECTRIC WITHSTANDING VOLTAGE : 500 V AC MIN.
INSULATION RESISTANCE : 100 MEGAOHMS MIN.
- MECHANICAL
MATING FORCE:4.5Kgf MAX.
UNMATING FORCE:1.0 Kgf MIN
DURABILITY LIFE: 5,000 Cycles;
- ENVIRONMENTAL
TEMPERATURE RATING : -20°C ~ +85°C
- HOW TO ORDER:



PART NO. INFORMATION

HD03-D F X X 5 R - 005



Bestcreate Technology Limited

TOLERANCES UNLESS OTHERWISE SPECIFIED:

.X	±	0.30	X.'	±	5'
.XX	±	0.20	.X'	±	2'
.XXX	±	0.10	.XX'	±	1'

Website:www.bsc-elec.com

Email:bestcreate@bsc-elec.com

DESIGN:

DATE:

I. L

2017. 3. 1

CHECKED:

DATE:

C. W

2017. 3. 1

APPROVED:

DATE:

C. W

2017. 3. 1

TITLE:

HDMI D TYPE FEMALE SMT

MATERILA:

PART NO:

HD03-DFXX5R-005

SIZE:

A4

FINSH:

DWG NO:

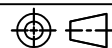
HD03-DFXX5R-005

REV: A

UNIT mm

SCALE 1=1

QUALITY SYMBOLS



1

2

3

4

5

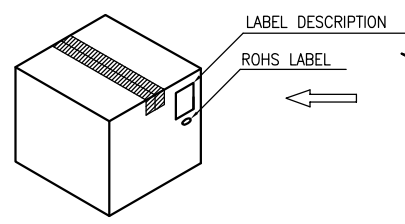
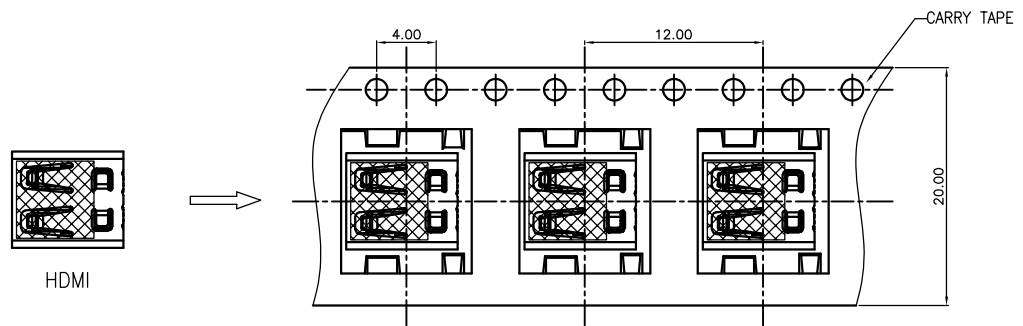
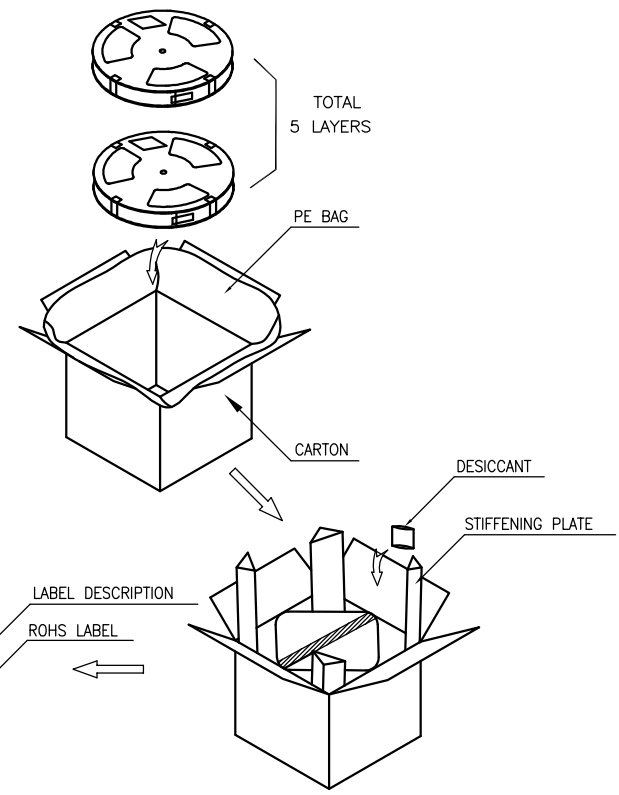
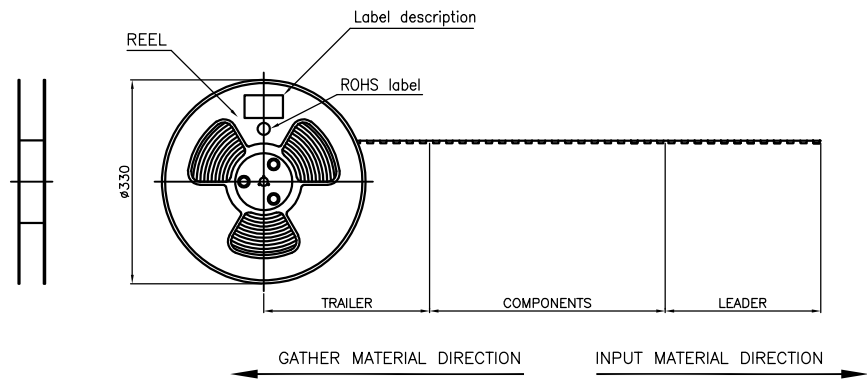
6

7

8

RoHS Compliant

REVISIONS			
REV.	DESCRIPTION	DATE	DESIGN



- Notes:
1. The start and end of each reel, based on the actual quantity, reserved 10--15pcs space;
 2. Peel off force of top tape: 10g~130g, peel deg.:165°~175°; peel speed: 250~300mm/min;
 3. Carton size: 350*350*155mm.
 4. QTY: 1000pcs/reel, 5reel/carton, total 5000pcs/carton;

Bestcreate Technology Limited

TOLERANCES UNLESS OTHERWISE SPECIFIED:			
.X	±	0.30	X.* ± 5'
.XX	±	0.20	.X.* ± 2'
.XXX	±	0.10	.XX.* ± 1'
Website:www.bsc-elec.com			
Email:bestcreate@bsc-elec.com			

DESIGN:	DATE:
I. L	2017. 3. 1
CHECKED:	DATE:
C. W	2017. 3. 1
APPROVED:	DATE:
C. W	2017. 3. 1

TITLE:		
HDMI D TYPE FEMALE SMT		
MATERILA:	PART NO:	SIZE:
	HD03-DFXX5R-005	A4
FINSH:	DWG NO:	
	HD03-DFXX5R-005	

REV:	UNIT	SCALE	QUALITY SYMBOLS
A	mm	1=1	