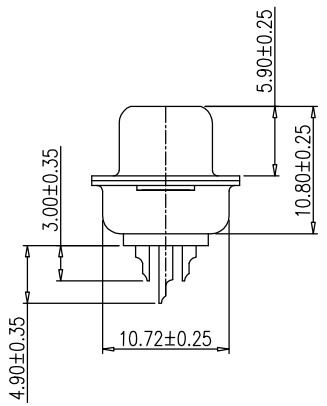
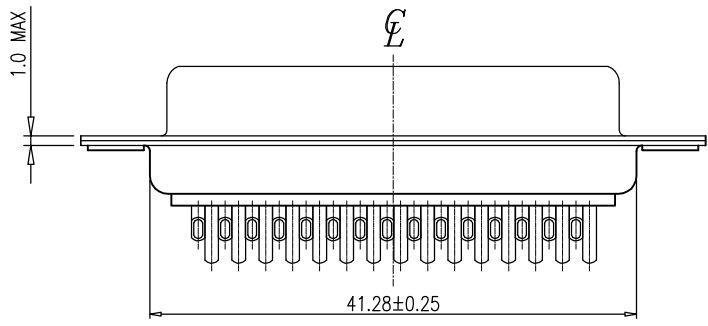
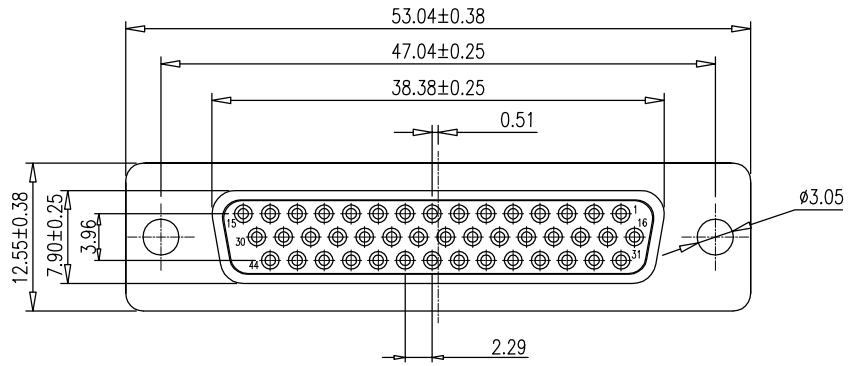


由 Autodesk 教育版产品制作

RoHS Compliant

REVISIONS			
REV.	DESCRIPTION	DATE	DESIGN



NOTE:
 1.MATERIALS AND FINISHED
 INSULATOR : PBT+30% GF UL 94V-0,
 SHELL : STEEL, NI OR SN FINISHED
 CONTACT MATERIAL : BRASS, SELEVITE GOLD FINISHED
 RIVETED INSERT: BRASS MATERIAL ,TIN FINISHED
 WITH #4-40 THREADED ASSEMBLED
 2.ELECTRICAL CHARACTERISTICS
 CURRENT RATING : 3.0 AMP DC
 VOLTAGE RATING: 250 V DC
 CONTACT RESISTANCE :30 MILLIOHMS MAX.
 DIELECTRIC WITHSTANDING VOLTAGE : 1000 V AC MIN.
 INSULATION RESISTANCE : 1000 MEGAOHMS MIN.
 3.ENVIRONMENTAL
 OPERATING TEMPERATURE: -55°C ~ +85°C
 STORAGE TEMPERATURE:-55°C ~ +105°C
 4.HOW TO ORDER:

HBF111-44XXXXP-AOX10

Female	0: RoHs
15:15Pin 26:26PIN 44:44Pin 62:62PIN	7:Front rivet Solid nut(Iron) 5:Front rivet Solid nut(Copper) 2:Front rivet hollow nut(Copper) 1:Back rivet hollow nut(Copper) 0:Ø3.05 through Hole
G:Full Gold S:Selevite Gold Bright TIN	A:No screw type (Riveting Type)
1:G/F" 3: 3u" 6: 10u"	P:PBT
2:2u" 1: Front NI Back SN 3: Full Sn 5: Full NI	L: Light blue U: Blue(661C) B: Black W: White

Bestcreate Technology Limited

TOLERANCES UNLESS OTHERWISE SPECIFIED:			
.X	± 0.35	X.	± 3"
.XX	± 0.25	.X"	± 2"
.XXX	± 0.15	.XX"	± 1"

Website: www.bsc-elec.com
 Email: bestcreate@bsc-elec.com

DESIGN:	I. L	DATE:	2017. 3. 1
CHECKED:	C. W	DATE:	2017. 3. 1
APPROVED:	C. W	DATE:	2017. 3. 1

TITLE: HDB-44P FEMALE CONNECTOR FOR WIRE SOLDERING		
MATERILA:	PART NO: HBF111-44XXXXP-AOX10	SIZE: A4
FINSH:	DWG NO: HBF111-44XXXXP-AOX10	

REV: A	UNIT mm	SCALE 1=1	QUALITY SYMBOLS
--------	---------	-----------	-----------------

由 Autodesk 教育版产品制作